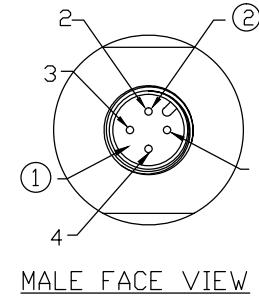
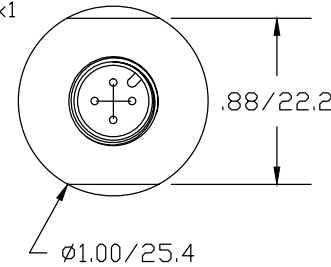
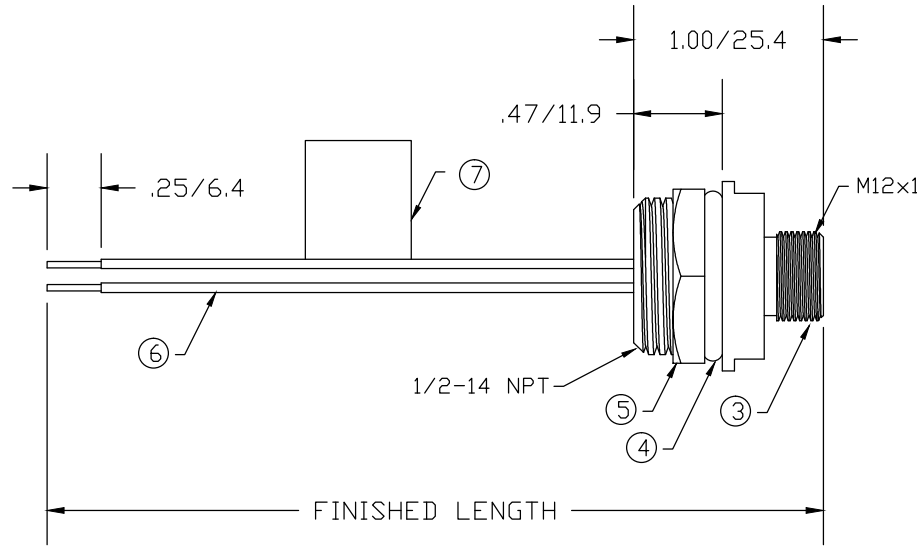
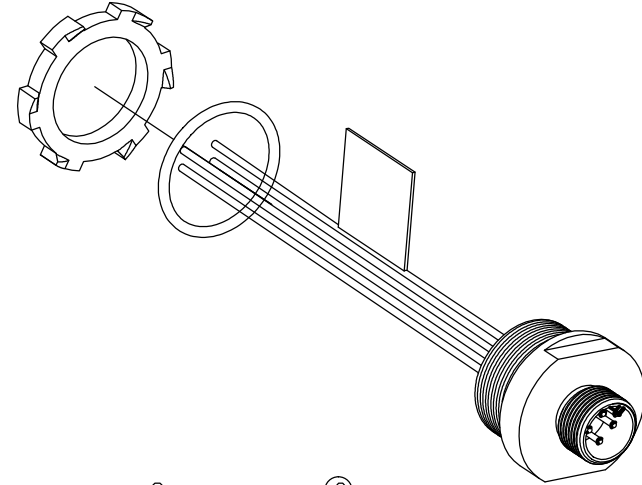
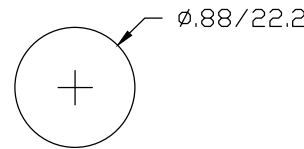


MATERIAL NUMBER	OLD PART NUMBER	FINISHED LENGTH
120070-0183	8R4006A18A060	6" +.75" -0 [L2M +19.1 -0]
120070-0184	8R4006A18A120	12" +.75" -0 [L3M +19.1 -0]



1	BROWN
2	WHITE
3	BLUE
4	BLACK

WIRING DIAGRAM



TYPICAL KNOCKOUT HOLE

VOLTAGE RATING	250 VAC/VDC
AMPERAGE RATING	4 AMPS
PROTECTION	IP67
OPERATING TEMPERATURE	-20°C TO 80°C
UL CERTIFICATIONS	UL LISTED, FILE NO. E152210
CSA CERTIFICATIONS	CSA CERTIFIED, FILE NO. LR6837

ITEM	COMPONENT	MATERIAL	FINISH
1	INSERT	NYLON	BLACK
2	CONTACT PIN	COPPER ALLOY	GOLD OVER NICKEL
3	RECEPTACLE SHELL	ALUMINUM	BLACK ANODIZED
4	O-RING	NITRILE	BLACK
5	LOCKNUT	STEEL	ZINC PLATED
6	CONDUCTOR -22 AWG, 26 x #36 STRANDING, 300 VOLTS	PVC	SEE WIRING DIAGRAM
7	FLAG LABEL	VINYL	CLEAR/YELLOW

RLSD DRAWING	3/31/09
EC NO: WNA2009-0641	
DRWN: BWOODMAN	
CHKD: JIM	
APPR: JFMURPHY	
REV	
A	

QUALITY SYMBOLS	DESCRIPTION
▽=0	
▽C=0	

GENERAL TOLERANCES (UNLESS SPECIFIED)	
	mm INCH
4 PLACES	±.004 ±.001
3 PLACES	±.005 ±.002
2 PLACES	±.007 ±.003
1 PLACE	±.010 ±.004
ANGULAR ±.005°	
DRAFT WHERE APPLICABLE MUST REMAIN WITHIN DIMENSIONS	

DIMENSION STYLE IN/MM	
DRAWN BY	DATE
BW	2009/03/31
CHECKED BY	DATE
VO	2009/03/31
APPROVED BY	DATE
---	---
MATERIAL NO. SEE CHART	
SIZE	A

SCALE ---	DESIGN UNITS UNKNOWN	THIRD ANGLE PROJECTION
TITLE MICRO-CHANGE RECEPTACLE 4 POLE MALE 1/2-14 NPT		
MOLEX INCORPORATED		
MATERIAL NO. SD-120070-005	DOCUMENT NO.	SHEET NO. 1 OF 1
THIS DRAWING CONTAINS INFORMATION THAT IS PROPRIETARY TO MOLEX INCORPORATED AND SHOULD NOT BE USED WITHOUT WRITTEN PERMISSION		