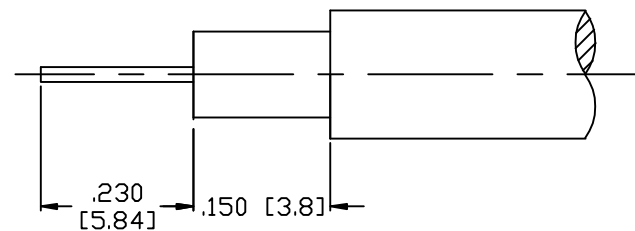
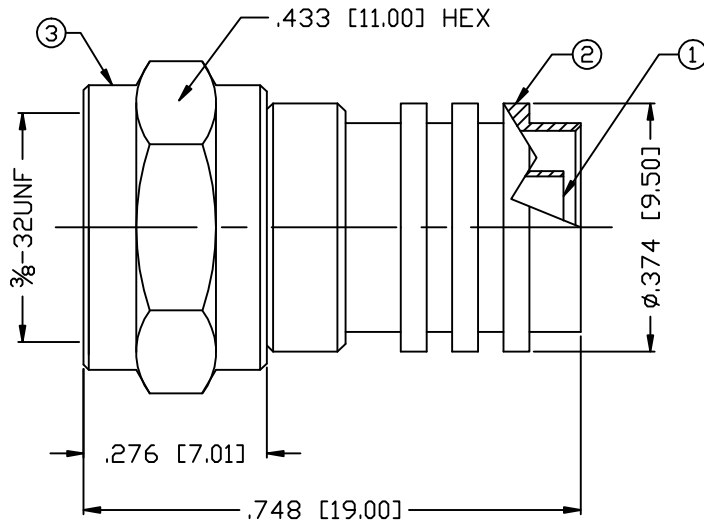


THIS DRAWING CONTAINS INFORMATION PROPRIETARY TO RF INDUSTRIES,
 ANY UNAUTHORIZED USE OF THIS DRAWING IS EXPRESSLY PROHIBITED
 WITHOUT WRITTEN PERMISSION FROM RF INDUSTRIES.
 ANY VIOLATION IS PUNISHABLE UNDER U.S. COPYRIGHT LAWS.

PART NO.		RFF-1402-D		
REV	DESCRIPTION	DWN	DATE	APPROVED
-	ENGINEERING RELEASE	CZS	2/10/03	JDMc
A	MODIFIED STRIP DIMENSIONS	JDM	7/26/12	JDMc

ALL DIMENSIONS ARE REFERENCE ONLY



INSERT CABLE INTO THE REAR OF THE CONNECTOR
 AND CRIMP

RECOMMENDED STRIPPING DIMENSIONS
RECOMMENDED CRIMP DIE: .324

SPECIFICATIONS:

IMPEDANCE: 75 Ohms
 FREQUENCY RANGE: 0-1 GHz
 WORKING VOLTAGE: 500 V rms @ sea level
 TEMPERATURE RANGE: -65°C TO 165°C
 INSULATION RESISTANCE: 5k M Ohms min.
 FOR RG-59, 59A, 59B, 62, 62A, 62C/U; ALPHA 9059, 9062,
 9830, 9840, 9845; BELDEN 8221, 8241, 9169, 9204,
 9228; CANARE LV-61S; CommScope 5555, 5560, 5563

1	BODY	1	BRASS	NICKEL	000367	
2	FERRULE	1	BRASS	NICKEL		
3	SHELL	1	BRASS	NICKEL		
4						
5						
6						
7						
8						
9						
10					DRAWN	
11					C. ZUNIGA	
12					2/10/03	
13					CHECKED	
14						
					ORJ DRAWN	
					C. ZUNIGA	
					2/10/03	
#	DESCRIPTION	QTY	MATRL	FINISH	APPROVALS	DATE

- UNLESS OTHERWISE SPECIFIED:
1. REMOVE ALL BURRS
 2. BREAK ALL CORNERS & EDGES .005 R. MAX.
 3. CHAMFER 1ST & LAST THREADS 45°
 4. SURFACE ROUGHNESS 63 FINISH MIL-STD-10
 5. DIAMETERS ON COMMON CENTERS TO BE CONCENTRIC WITHIN .002 T.I.R.
 6. ALL DIMENSIONS ARE AFTER PLATING.

DIMENSIONS ARE IN MILLIMETERS
 UNLESS OTHERWISE NOTED
 TOLERANCES ARE:
 DECIMALS DIAMETER
 .xxx±.003 [.08] .xxx±.001 [.03]
 .xx±.005 [.13] .xx±.003 [.08]

RF connectors 7610 MIRAMAR RD
 SAN DIEGO, CA 92126
 (858) 549-6340
 DIVISION OF RF INDUSTRIES, LTD. (858) 549-6345 FAX

F PLUG CRIMP

SIZE	CABLE GROUP	DWG NO.	REV
A	D	RFF-1402-D	A
SCALE: NTS		CAD FILE OUTLINE	SHEET 1 OF 1