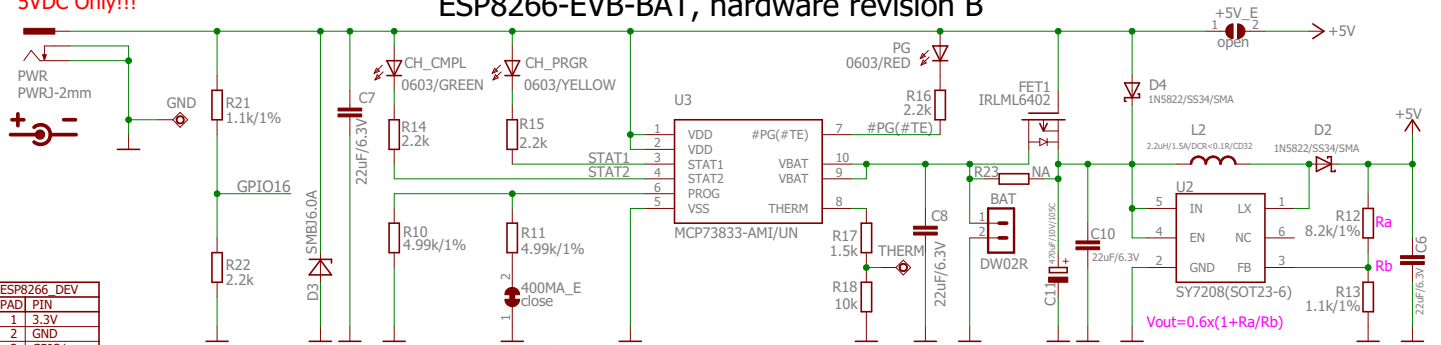


5VDC Only!!!

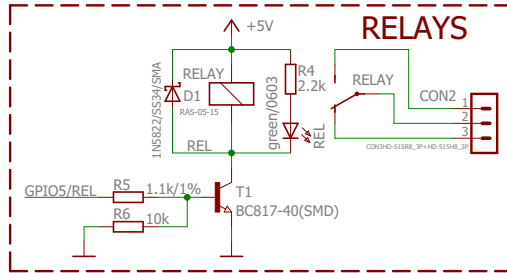
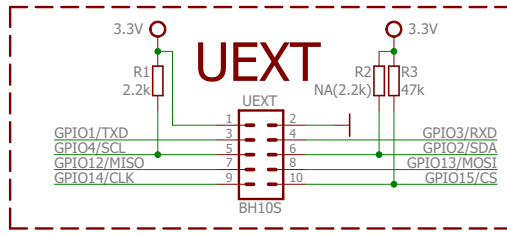
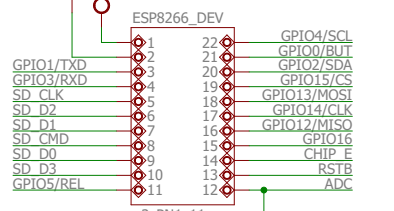
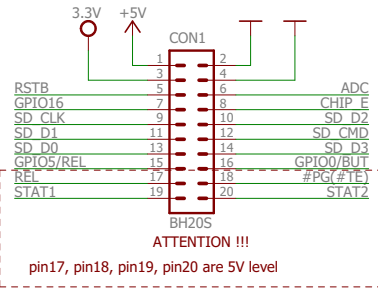
ESP8266-EVB-BAT, hardware revision B



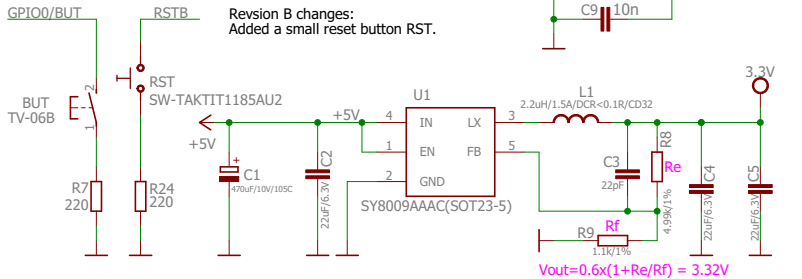
200mA > 4.99k
400mA > 4.99k || 4.99k

$$V_{out} = 0.6x(1+R_a/R_b)$$

ESP8266_DEV	PAD	PIN
1	3.3V	1
2	GND	2
3	GPIO1	3
4	GPIO3	4
5	SD_CLK	5
6	SD_D2	6
7	SD_D1	7
8	SD_CMD	8
9	SD_D0	9
10	SD_D3	10
11	GPIO5	11
12	ADC	12
13	RSTB	13
14	CHIP_E	14
15	SD_CLK	15
16	GPIO16	16
17	GPIO12	17
18	GPIO13	18
19	GPIO15	19
20	GPIO2	20
21	GPIO0	21
22	GPIO4	22



ESP8266_CON1	PAD	PIN
1	+5V	1
2	GND	2
3	3.3V	3
4	GND	4
5	RSTB	5
6	ADC	6
7	GPIO16	7
8	CHIP_E	8
9	SD_CLK	9
10	SD_D2	10
11	SD_D1	11
12	SD_CMD	12
13	SD_D0	13
14	SD_D3	14
15	GPIO5	15
16	GPIO0	16
17	REL	17
18	#PG(#TE)	18
19	STAT1	19
20	STAT2	20



$$V_{out} = 0.6x(1+R_e/R_f) = 3.32V$$

OLIMEX LTD, Plovdiv, Bulgaria
www.OLIMEX.com