

2

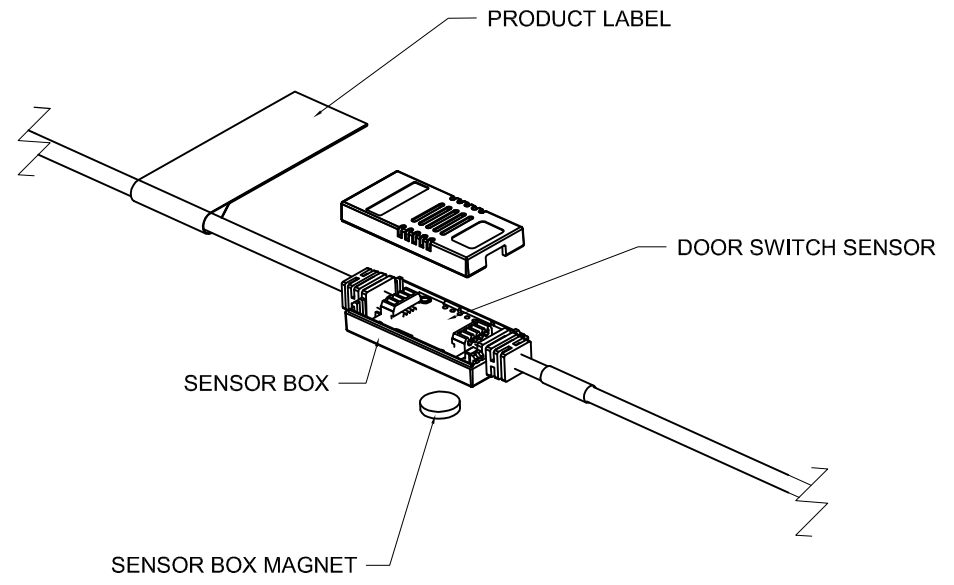
1

PANDUIT P/N	WEIGHT
ACA01	0.15kg

1. STANDARD SPECIFICATION
- OPEN DOOR DETECTION: <10mm
 - OPERATING TEMPERATURE RANGE: 0°C TO 65°C [32°F TO 149°F]
 - OPERATIONAL VOLTAGE: 5 ±0.1 VOLTS
 - CURRENT DRAW: 30 mA MAX
 - SENSOR HOUSING MATERIAL: ABS, 10% GLASS-FILLED
 - SENSOR HOUSING COLOR: BLACK
 - INTERFACE PLUG: RJ45 COMPLIANT
 - INTERFACE PLUG HOUSING MATERIAL: PC
 - INTERFACE PLUG HOUSING COLOR: TRANSPARENT

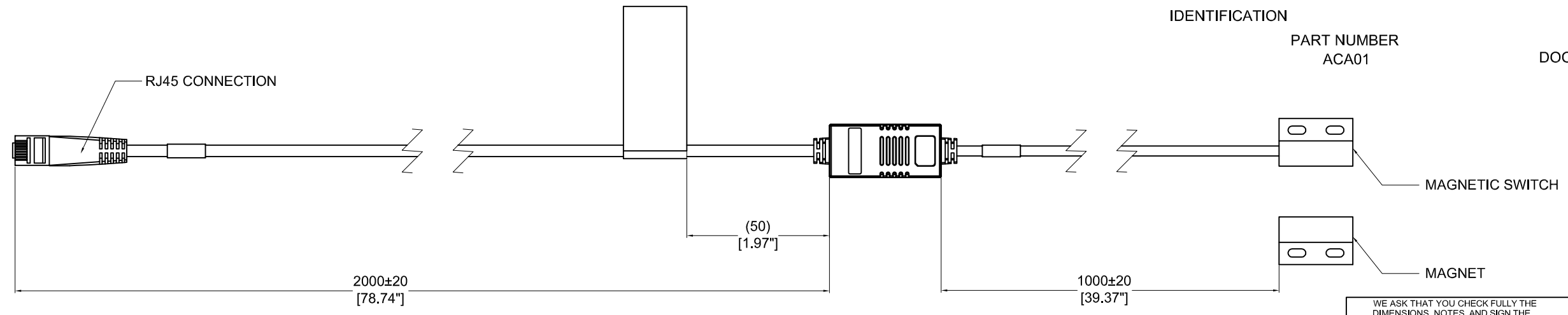
2. ADDITIONAL: NONE
3. ACCESSORY COMPONENTS:
- CABLE TIES, QTY:(5)
 - DOUBLE SIDED TAPE, QTY:(2)
 - ADHESIVE BACKED MOUNT, QTY:(5)
 - TAP SCREWS, QTY:(4)
 - INSTALLATION GUIDE, QTY:(1)

- NOTES:
- PRIMARY DIMENSIONS ARE IN MILLIMETERS. SECONDARY DIMENSION ARE IN INCHES
 - INSTALLATION SHALL COMPLY WITH ALL APPLICABLE NATIONAL, STATE, AND LOCAL CODES
 - VISIT OUR ON-LINE CATALOG AT WWW.PANDUIT.COM FOR A CURRENT LIST OF PRODUCTS APPLICABLE FOR USE WITH THIS PART



IDENTIFICATION

PART NUMBER	DESCRIPTION
ACA01	DOOR SWITCH SENSOR



WE ASK THAT YOU CHECK FULLY THE DIMENSIONS, NOTES, AND SIGN THE CLIENT SIGNATURE BOX. THE JOB WILL NOT PROGRESS WITHOUT SIGNED APPROVAL. PLEASE DO NOT DELAY IN RETURNING PROOF AS IT WILL AFFECT DELIVERY

SIGN _____
 DATE _____
 PRINT _____

TITLE: SMARTZONE G5 DOOR SWITCH SENSOR
 CUSTOMER DRAWING

ITEM REVISION NAME: _____
 DATASHEET FILE NAME: _____



UNLESS OTHERWISE SPECIFIED DIMENSIONAL TOLERANCE ARE: mm [IN]
 Wire Harness Tolerance(mm)

0<L<500	±10
500<L<2000	±20
2000<L<6000	±50

THIRD ANGLE PROJECTION

MATERIAL/COLOR: N/A
 DRAWING NUMBER: ACA01_DC

00A	01/04/2018	Felix	MM	DJB	INITIAL RELEASE	ACA01
REV	DATE	BY	CHK	APR	DESCRIPTION	ECN

DRAWN BY: Felix DATE: 01/04/2018 CHK: MM SCALE: NONE
 SHT 1 OF 1 SCALE: B

2

1