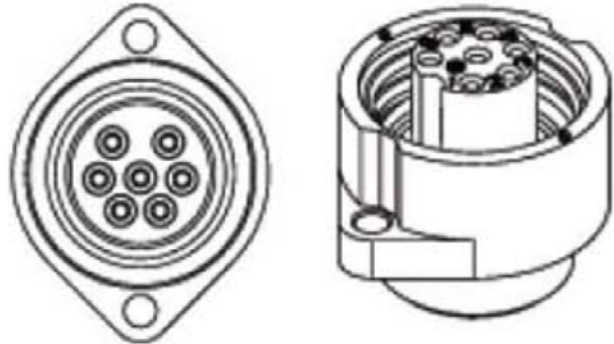
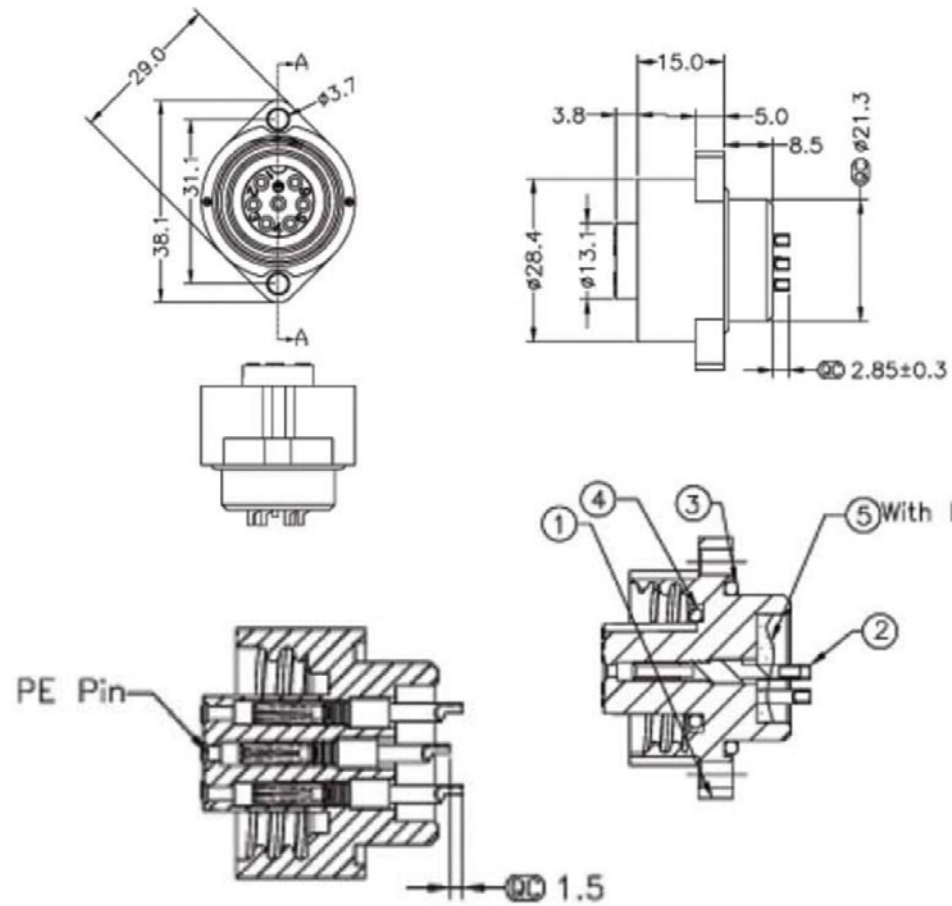


A
B
C
D
E
F
G
H

A
B
C
D
E
F
G
H



Pin Assignments
Front View

- Material:**
- Waterproof Rate: IP67
 - Housing: Black ABS Plastic
 - Connector: Black, Nylon+GF
 - Pin: Copper Alloy, Gold Plated
 - Contacts: Gold Plating
 - Operating temperature: -40°C to +105°C



| | | | | | | | | |
|-----------|-------|--|--|--|----------|----------|----------|--|
| Scale | 1:1 | | | | | | Name | Item No. A-P07PFFS-SC-WP |
| TOLERANCE | | | | | Drawn | 12.01.11 | Chappell | |
| X.X | ±0.40 | | | | Approved | | | Title Waterproof Power Connector 7 Pin (8A), Female, Panel Mount |
| X.XX | ±0.25 | | | | | | | |
| X.XXX | ±0.15 | | | | | | | Drawing No. |
| Angle | ±3° | | | | | | | |
| | | | | | | | | rev00 |
| | | | | | | | | |
| | | | | | | | | Replace |
| | | | | | | | | |
| | | | | | | | | Sheet |
| | | | | | | | | |
| | | | | | | | | |

