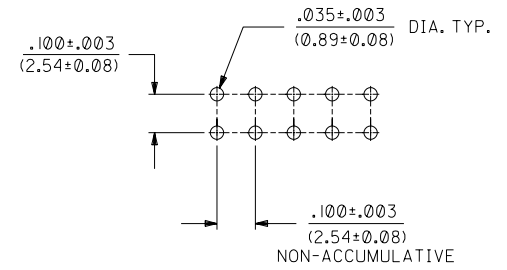


- NOTES:
- 1 - HOUSING MATERIAL: GLASS FILLED POLYESTER, UL 94V-0.  
COLOR: BLACK
  - 2 - TERMINAL MATERIAL: PHOSPHOR BRONZE
  - 3 - SEE ADDITIONAL SHEETS FOR CHARTS, PLATINGS, AND OVERALL DIMENSIONS
  - 4 - THIS PRODUCT CONFORMS TO PS-70181.

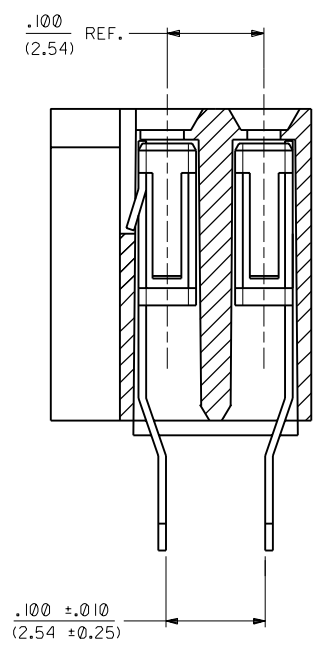
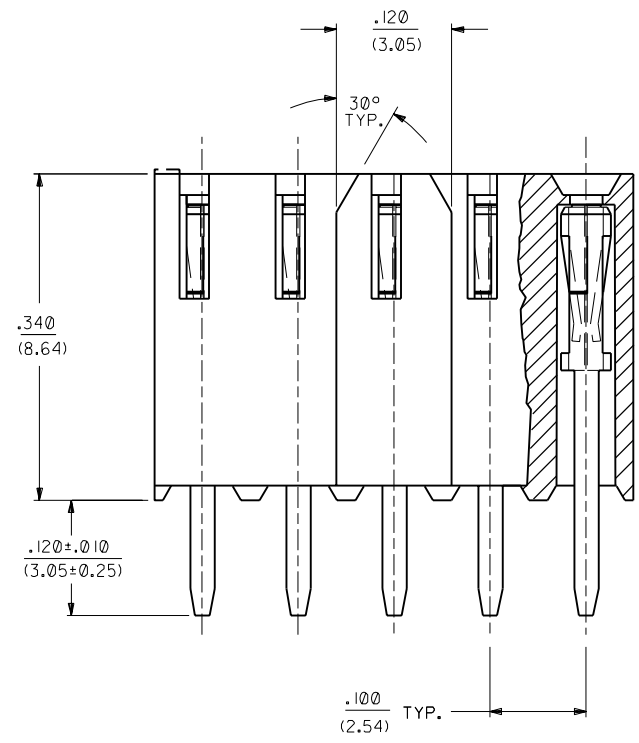
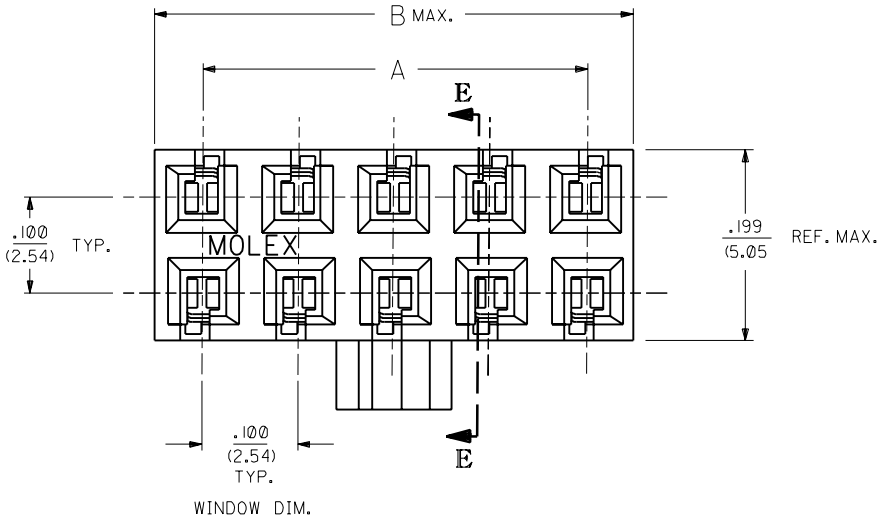


RECOMMENDED P.C. BOARD HOLE LAYOUT  
SCALE = 4:1

C	LEAD FREE UCP2004-1770 RWWHITE 04/04/28
B	CHANGE PACK SPEC ECAF UDT2000-0503 DMORGAN 99/12/09
A	REVISE PLATE & BOX PER U3 0572 09/10/93 MURPHY

MFG.	SH.	REV.	LTR.	REVISIONS
3	C			
2	A			
1	C			

DIMENSIONS SHOWN (METRIC) INCH UNLESS OTHERWISE SPECIFIED TOLERANCES: ANGULAR ± 1/2°		▽ = 0 ▼ = 0		REVISE ONLY ON CAD SYSTEM													
<table border="1"> <tr> <th></th> <th>INCH</th> <th>METRIC</th> </tr> <tr> <td>3 PLACE</td> <td>± .010</td> <td>---</td> </tr> <tr> <td>2 PLACE</td> <td>± .014</td> <td>± 0.25</td> </tr> <tr> <td>1 PLACE</td> <td>---</td> <td>± 0.35</td> </tr> </table>			INCH	METRIC	3 PLACE	± .010	---	2 PLACE	± .014	± 0.25	1 PLACE	---	± 0.35	TITLE <b>CONNECTOR VERT MOUNT DUAL ROW (TOP ENTRY) .100 X .10 P.C TAIL GRID</b>			
	INCH	METRIC															
3 PLACE	± .010	---															
2 PLACE	± .014	± 0.25															
1 PLACE	---	± 0.35															
DRAFT WHERE APPLICABLE MUST REMAIN WITHIN DIMENSIONS		MOLEX INCORPORATED LISLE, ILL. 60532 U.S.A.		SHEET NO. 1 OF 3 DATE 09/10/93													
DRWG. BY: PM APP'D. BY: PM		CHK'D. BY: PM SCALE: 10:1		PART NO. SDA-70192 DRWG. NO. SDA-70192-***													
FILE NAME: SA70192X1.DGN		THIS DRAWING CONTAINS INFORMATION THAT IS PROPRIETARY TO MOLEX INC. AND SHOULD NOT BE USED WITHOUT WRITTEN PERMISSION.															



NOTES:  
1 - SEE SHEET I FOR APPLICABLE NOTES.

**SINGAPORE ONLY**  
**OPTION -F-**  
**WITH POLARIZING KEY**

A SEE SHEET I

DIMENSIONS SHOWN (METRIC) INCH		▽ = 0 ▼ = 0		REVISE ONLY ON CAD SYSTEM	
UNLESS OTHERWISE SPECIFIED TOLERANCES ANGULAR ± 1/2°		TITLE		CONNECTOR, VERT. MOUNT, DUAL ROW (TOP ENTRY) .100 X .100 P.C. TAIL GRID	
3 PLACE ±	INCH	METRIC	FORM: MOLEX INCORPORATED	SHEET NO. 2	DATE 07/17/90
2 PLACE ±	INCH	±	U.S.A.		
1 PLACE ±	INCH	±	69532		
DRAFT WHERE APPLICABLE MUST REMAIN WITHIN DIMENSIONS		PART NO.		DRWG. NO.	
DRAWN BY: PM		CHK'D BY: PM		SEE CHART SDA-70192-0000	
APP'D BY: PM		SCALE:		FILE NAME: SA70192X2.DWG	
				THIS DRAWING CONTAINS INFORMATION THAT IS PROPRIETARY TO MOLEX INC. AND SHOULD NOT BE USED WITHOUT WRITTEN PERMISSION.	
				DIV: DA	
				SIZE: C	

