

KGS-MSTB 2,5/ 8

Order No.: 1783779



<http://eshop.phoenixcontact.de/phoenix/treeViewClick.do?UID=1783779>

Cable housing, Number of positions: 8, Dimension a: 40 mm, Color: green

| Commercial data | |
|--------------------------|--------------------|
| EAN | 4017918041960 |
| Pack | 10 pcs. |
| Customs tariff | 85472000 |
| Weight/Piece | 0.01515 KG |
| Catalog page information | Page 281 (CC-2009) |

Product notes

WEEE/RoHS-compliant since: 01/01/2003



<http://www.download.phoenixcontact.com>
Please note that the data given here has been taken from the online catalog. For comprehensive information and data, please refer to the user documentation. The General Terms and Conditions of Use apply to Internet downloads.

Accessories

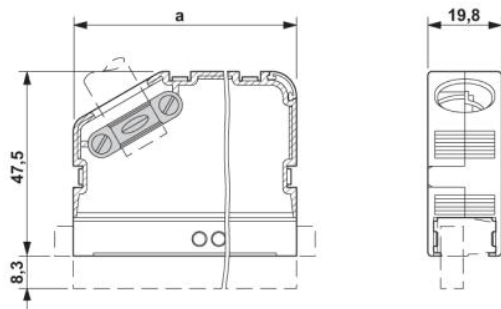
| Item | Designation | Description |
|------------------------|-------------|---|
| Cable/conductor | | |
| 1804658 | KD-KGS-MSTB | Molded cable strain relief, suitable for KGS-... cable housings, prevents the cable from being bent |

Marking

| | | |
|---------|-------------------|---|
| 1784914 | KGS-MSTB 2,5/ DST | Transparent label carrier, can be marked with marker strips SBS 2.5/7.5 |
| 1007604 | SBS 2,5/7,5 | Marker strips, unprinted, for individual labeling, perforated, white plastic, 10-section, lettering field size: 15 x 7.5 mm |

Diagrams/Drawings

Dimensioned drawing



Address

PHOENIX CONTACT Deutschland GmbH
Flachmarktstr. 8
32825 Blomberg, Germany
Phone +49 5235 3 12000
Fax +49 5235 3 41200
<http://www.phoenixcontact.de>



© 2010 Phoenix Contact
Technical modifications reserved;