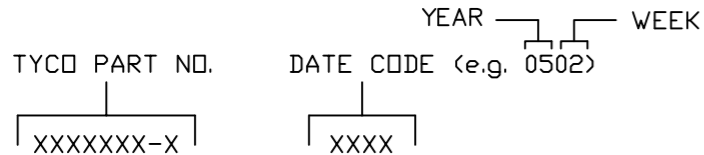


This drawing involves proprietary design rights of Tyco Electronics Corporation, and all design, manufacture, reproduction, use and sale rights regarding the same are expressly reserved. It is submitted for a specific purpose and the recipient by accepting this drawing, assumes custody and control and agrees to take reasonable precautions; (a) that this drawing will not be copied and reproduced, in whole or in part, or its contents revealed in any manner, or to any person except to meet the purpose for which it was delivered and (b) that any special features peculiar to this design will not be incorporated in other projects without the expressed written permission of Tyco Electronics Corporation.

REVISIONS			
EC	REV	DESCRIPTION	DATE
—	A	NEW RELEASE	06/02/05

NOTES: UNLESS OTHERWISE SPECIFIED.

- PART NUMBER CHANGES AND OR DESIGN CHANGES AFFECTING ITEM INTERCHANGEABILITY REQUIRE PRIOR ELCON APPROVAL AND AUTHORIZATION BY REVISION TO THIS DRAWING.
- MATERIALS:
 INSULATORS: THERMOPLASTIC, GLASS REINFORCED, COLOR BLACK, UL94V-0 FLAMMABILITY RATED.
 SOLDER SIGNAL PIN: BRASS ALLOY,
- FINISHES:
 CONTACTS: GOLD PLATED PER MIL-G-45204 TYPE II, CLASS 0, .000030" MIN. THICK OVER NICKEL PER QQ-N-290, CLASS 2, .000040" MIN. THICKNESS.
 TERMINALS: TIN PLATED, MATTE FINISH .000100" MIN. THICKNESS.
- ITEMS PROVIDED TO THIS SPECIFICATION TO BE PERMANENTLY IDENTIFIED PER THE FOLLOWING IDENTIFIER:



5. MODULE INFORMATION

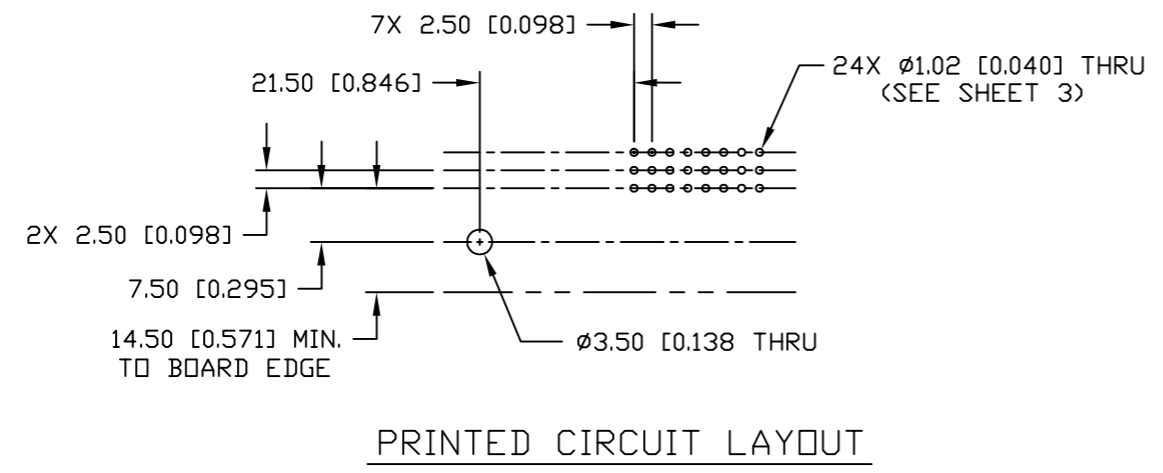
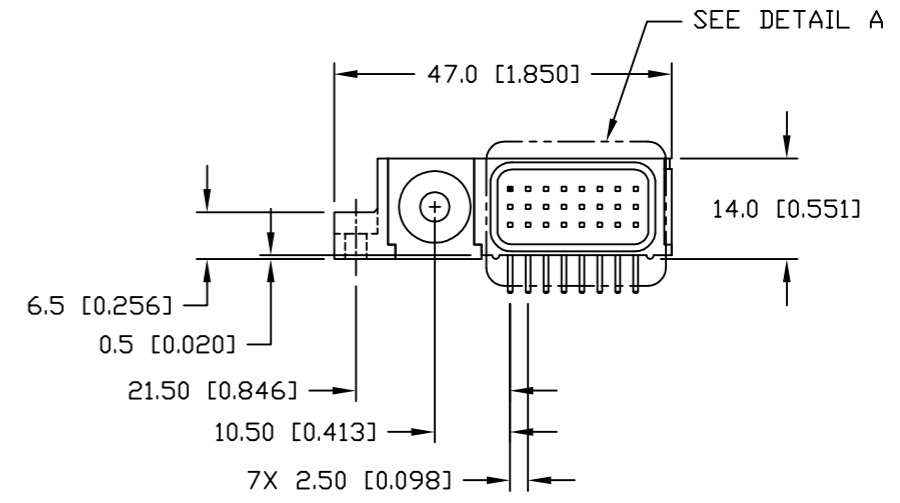
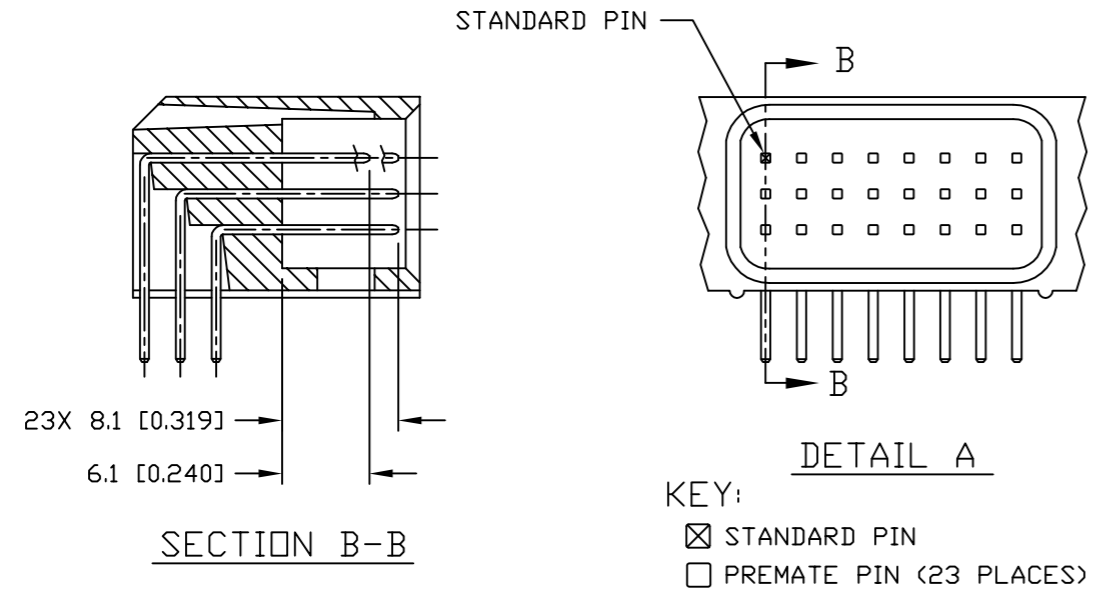
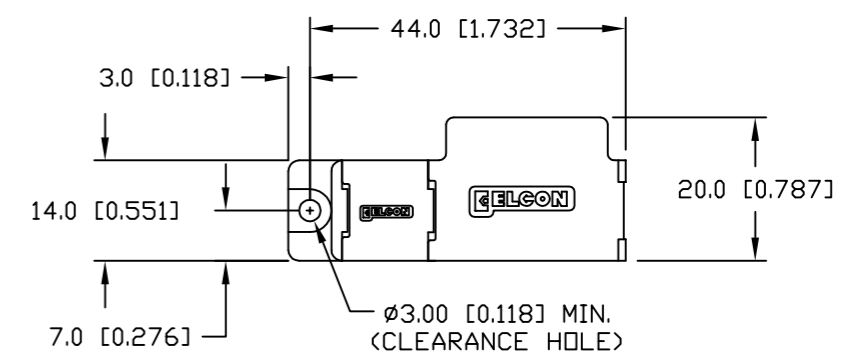
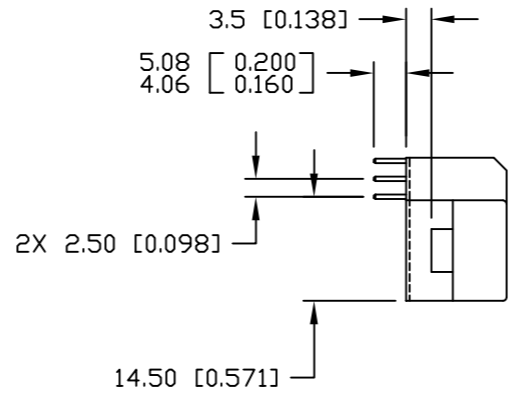
CONNECTOR	TYCO PART NUMBER	CATALOG MODULE #	QTY	SIZE NO.	CONTACT QTY	MATING PIN	MAX. CURRENT (PER CONTACT)	CONTACT SPACING	VOLTAGE RATING*
PIN	1766684-1	FP0302	1	22	24	.64 [0.025] SQ	3 AMPERES	2.50 [0.0984]	125 VOLTS
		FP0506	1	RIGHT ANGLE GUIDE SOCKET					
		FP0500	1	LEFT MOUNTING FLANGE					

*IAW IEC-950

<p>THIRD ANGLE PROJECTION</p> <p>UNLESS OTHERWISE SPECIFIED DIMENSIONS ARE IN METRIC [INCHES]</p> <p>TOLERANCES</p> <p>ANGLES ± .5°</p> <p>DECIMALS</p> <p>.XX ± .25 [.010]</p> <p>.X ± .5 [.020]</p>	<p>MM OR MM [INCH]</p> <p>INCH</p>	<p>DRAWN</p> <p>R. F. A.</p>	<p>DATE</p> <p>06/02/05</p>	<p>tyco Tyco Electronics Corporation Electronics Menlo Park, Ca 94025</p> <p>ELCON</p>
	<p>CHECKED</p>	<p>APPROVED</p>	<p>APPROVED</p>	<p>TITLE</p> <p>CONNECTOR, PIN, RIGHT ANGLE STANDARD SOLDER TAILS, FLATPAQ PN 1766684-1</p>
<p>D. CHAU</p>	<p>06/15/05</p>	<p>M. ALIM</p>	<p>06/16/05</p>	<p>SIZE DWG NUMBER</p> <p>B C = 1766684</p>
<p>ACAD FILE NUMBER</p> <p>C1766684A.DWG</p>	<p>DWG SCALE</p> <p>1 = 1</p>	<p>SH</p> <p>1 OF 3</p>	<p>REV.</p> <p>A</p>	

This drawing involves proprietary design rights of Tyco Electronics Corporation, and all design, manufacture, reproduction, use and sale rights regarding the same are expressly reserved. It is submitted for a specific purpose and the recipient by accepting this drawing, assumes custody and control and agrees to take reasonable precautions; (a) that this drawing will not be copied and reproduced, in whole or in part, or its contents revealed in any manner, or to any person except to meet the purpose for which it was delivered and (b) that any special features peculiar to this design will not be incorporated in other projects without the expressed written permission of Tyco Electronics Corporation.

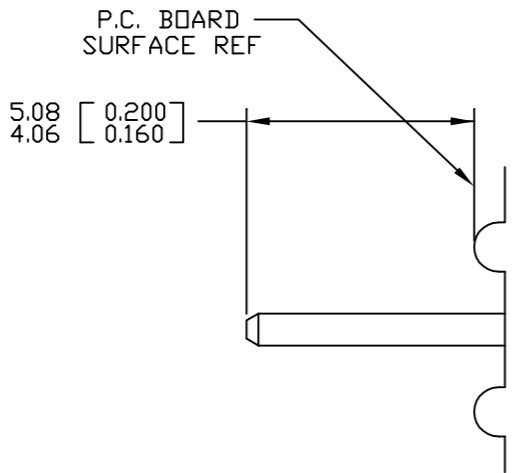
REVISIONS			
EC	REV	DESCRIPTION	DATE
		SEE SHEET 1	



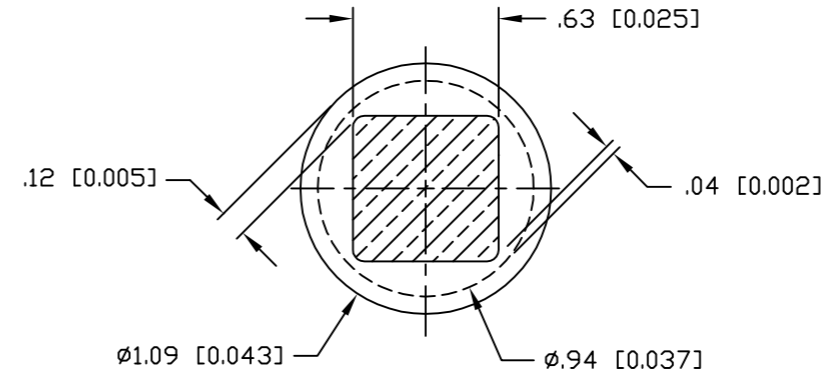
THIRD ANGLE PROJECTION UNLESS OTHERWISE SPECIFIED DIMENSIONS ARE IN METRIC [INCHES] TOLERANCES ANGLES ± .5° DECIMALS .XX ± .25 [.010] .X ± .5 [.020]	DRAWN R. F. A.	DATE 06/02/05	tyco Tyco Electronics Corporation Electronics Menlo Park, Ca 94025		ELCON
	CHECKED		TITLE		
	APPROVED		CONNECTOR, PIN, RIGHT ANGLE STANDARD SOLDER TAILS, FLATPAQ PN 1766684-1		
	APPROVED		SIZE	DWG NUMBER	REV.
D. CHAU	06/15/05	B	C = 1766684	A	
DCA APPROVED	06/16/05	ACAD FILE NUMBER C1766684A.DWG		DWG SCALE 1=1	SH 2 OF 3

This drawing involves proprietary design rights of Tyco Electronics Corporation, and all design, manufacture, reproduction, use and sale rights regarding the same are expressly reserved. It is submitted for a specific purpose and the recipient by accepting this drawing, assumes custody and control and agrees to take reasonable precautions; (a) that this drawing will not be copied and reproduced, in whole or in part, or its contents revealed in any manner, or to any person except to meet the purpose for which it was delivered and (b) that any special features peculiar to this design will not be incorporated in other projects without the expressed written permission of Tyco Electronics Corporation.

REVISIONS			
EC	REV	DESCRIPTION	DATE
		SEE SHEET 1	

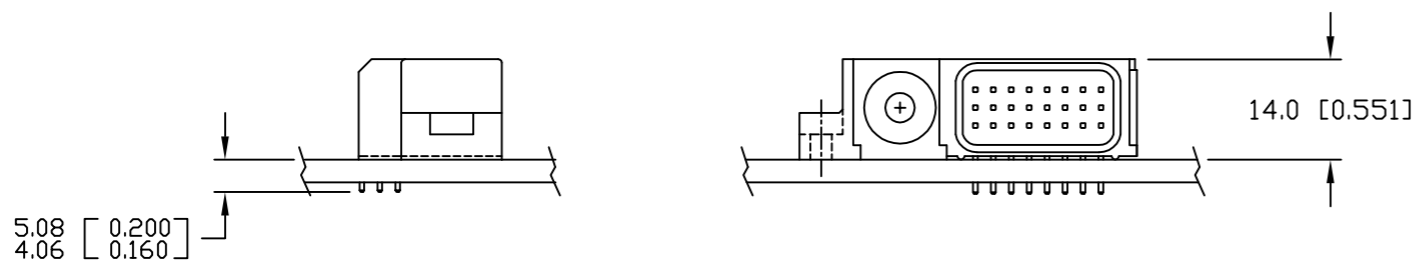


SOLDER PIN DETAIL



SOLDER TERMINATION AREA
RECOMMENDED PRINTED CIRCUIT HOLE

FINISHED HOLE: $\phi 1.02 [0.040] \pm .08 [0.003]$
 DRILLED HOLE: $\phi 1.15 [0.0453] \pm .013 [0.0005]$
 COPPER PLATE: .025 [0.0010] MINIMUM (PER SURFACE)
 TIN PLATE: .008 [0.0003] MINIMUM (PER SURFACE)



PCB MOUNT

← MM INCH → OR MM [INCH] THIRD ANGLE PROJECTION UNLESS OTHERWISE SPECIFIED DIMENSIONS ARE IN METRIC [INCHES] TOLERANCES ANGLES ± .5° DECIMALS .XX ± .25 [.010] .X ± .5 [.020]	DRAWN R. F. A.	DATE 06/02/05	 Tyco Electronics Corporation Menlo Park, Ca 94025 	TITLE USER INFORMATION SOLDER TAIL TERMINATION AND PCB MOUNT		
	CHECKED					SIZE
	APPROVED		APPROVED	B	C = 1766684	A
	D. CHAU	06/15/05	DCA APPROVED	M. ALIM	06/16/05	
ACAD FILE NUMBER C1766684A.DWG			DWG SCALE 1=1		SH 3 OF 3	