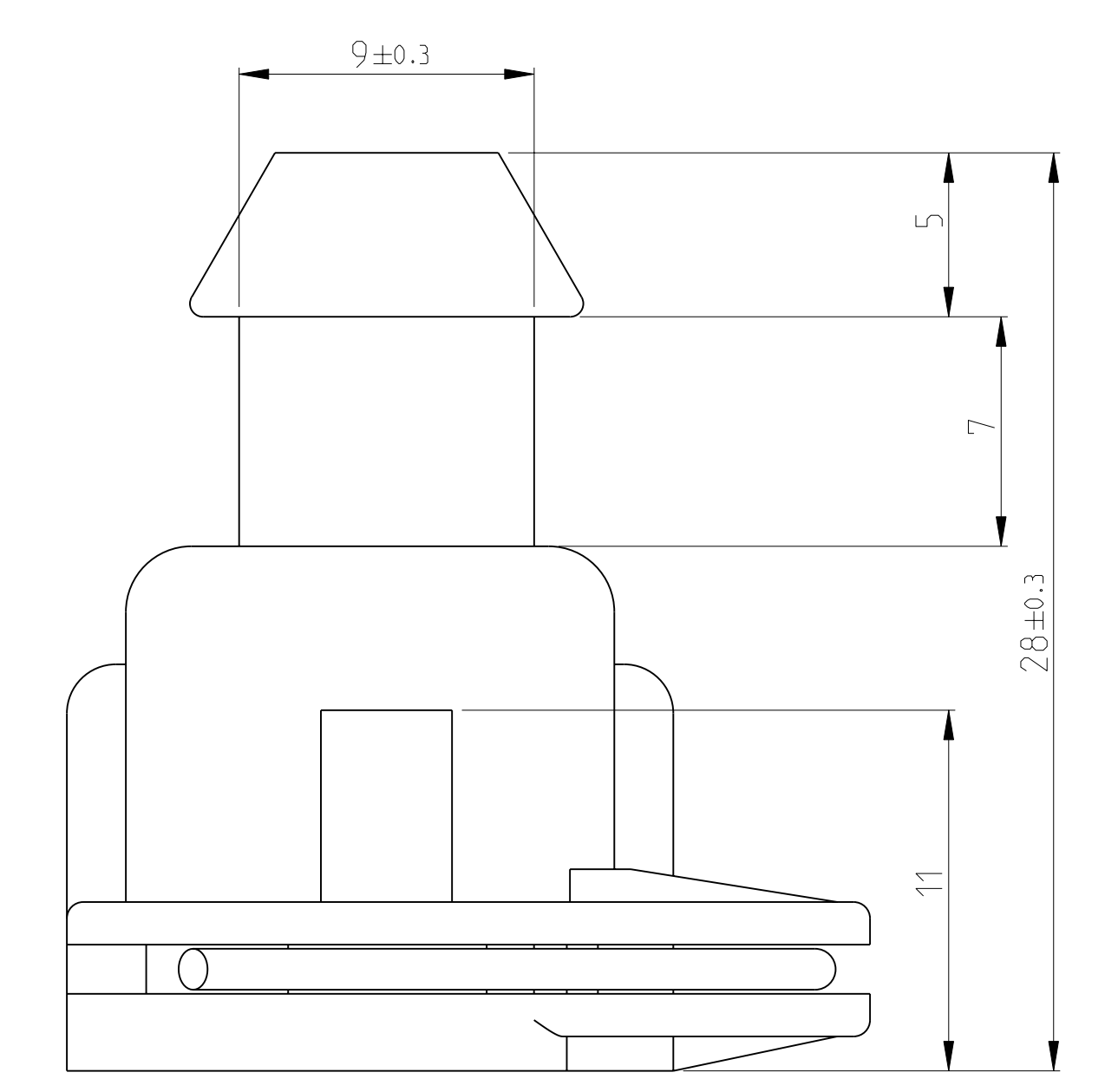
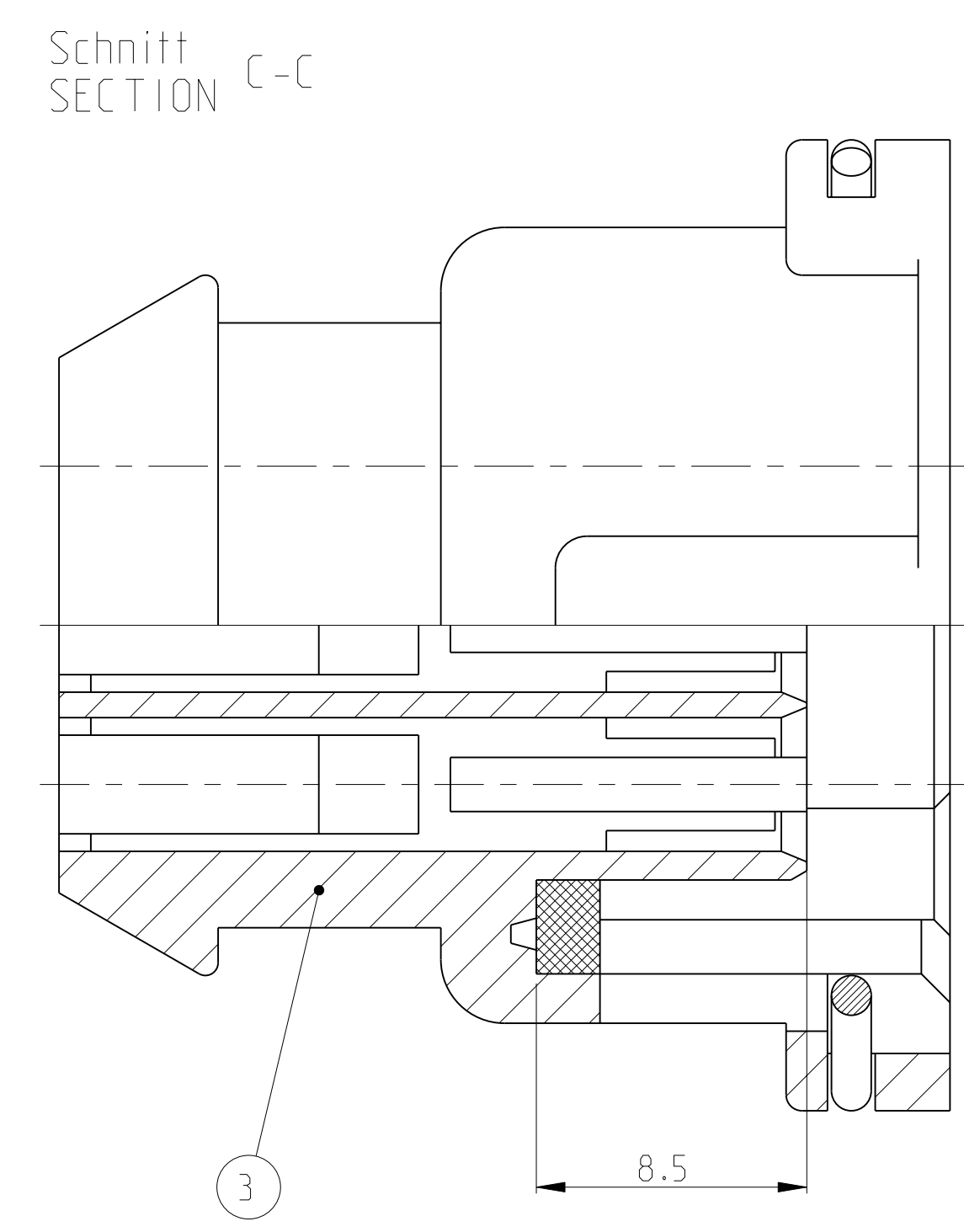
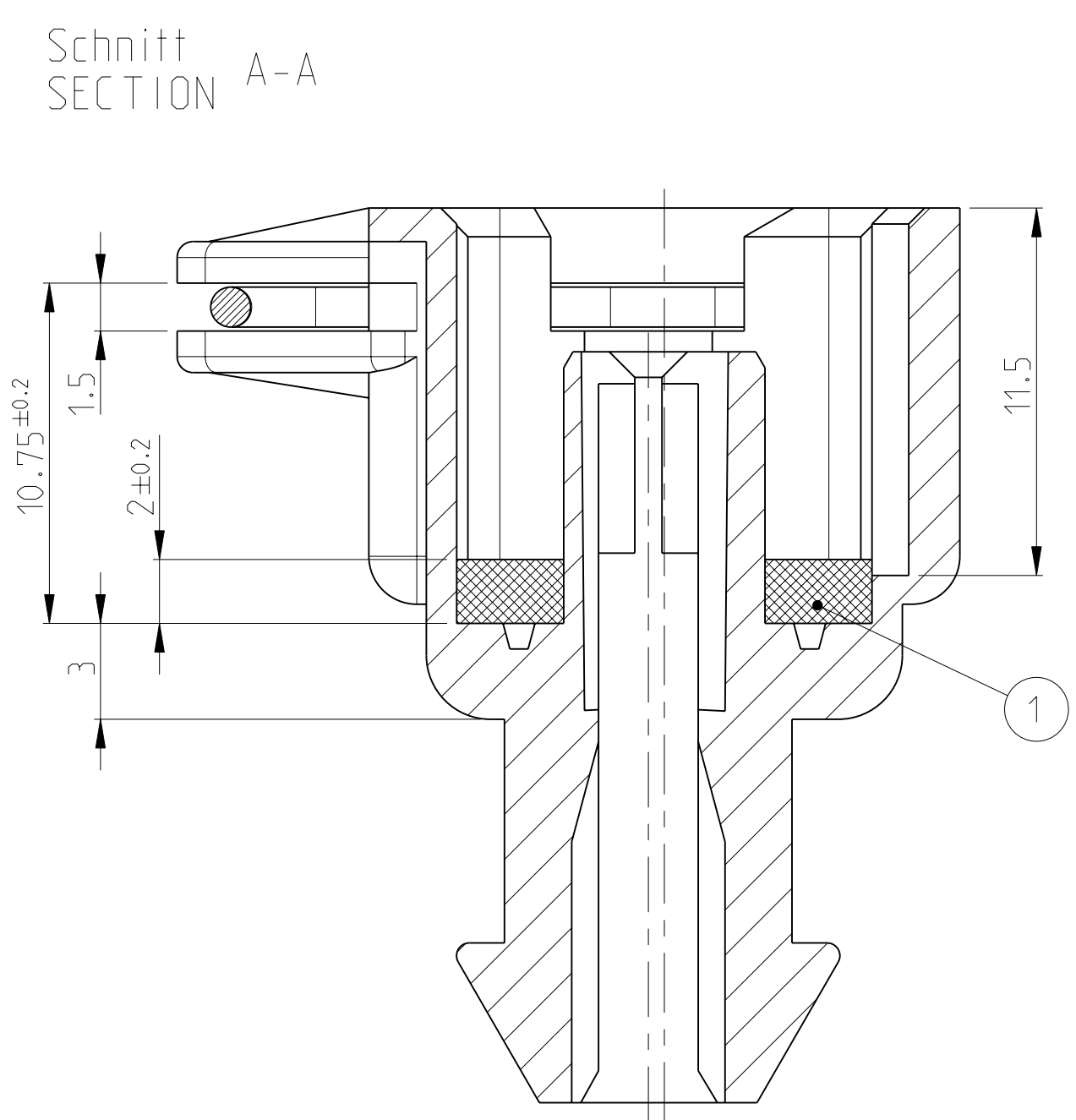
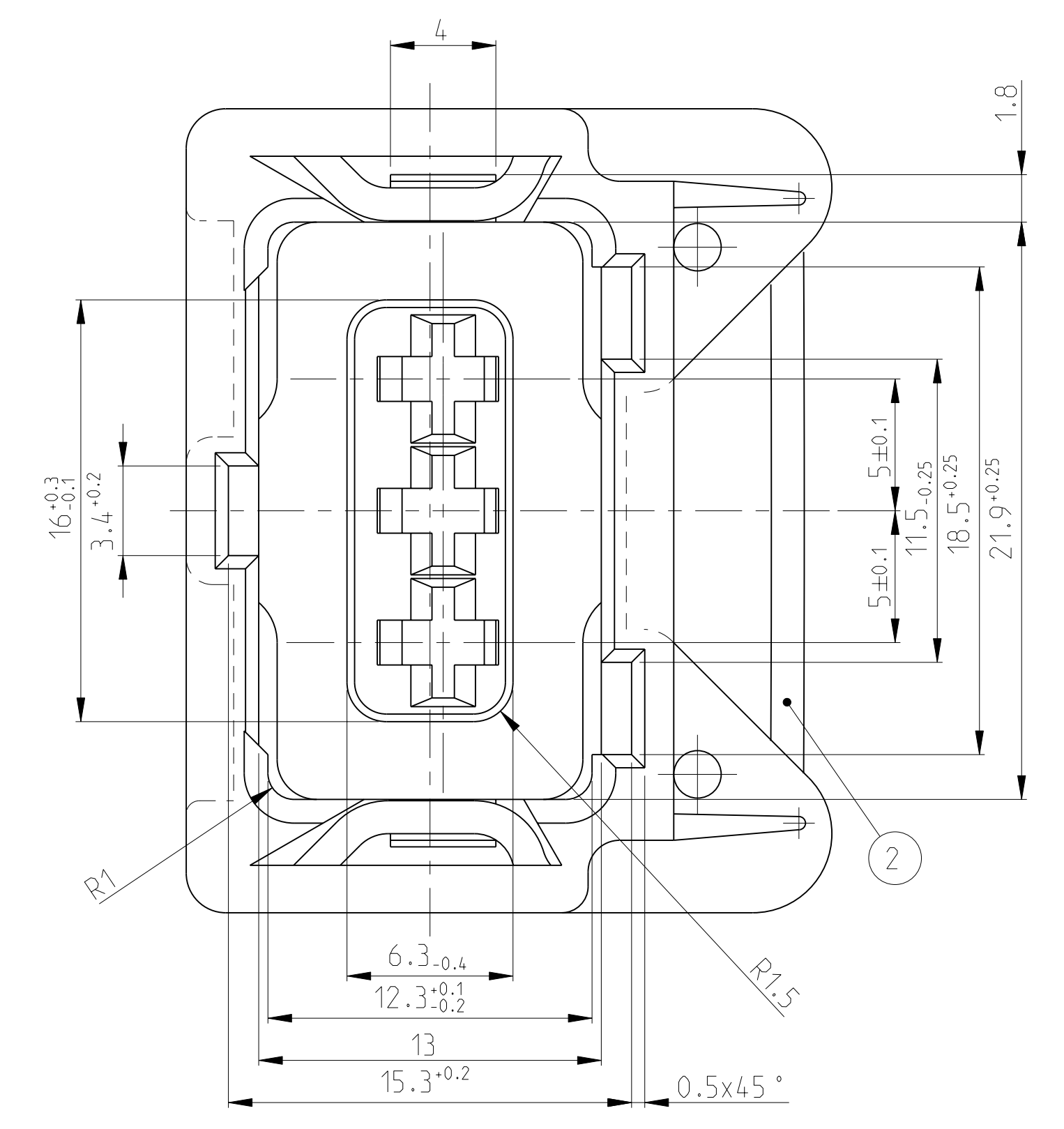
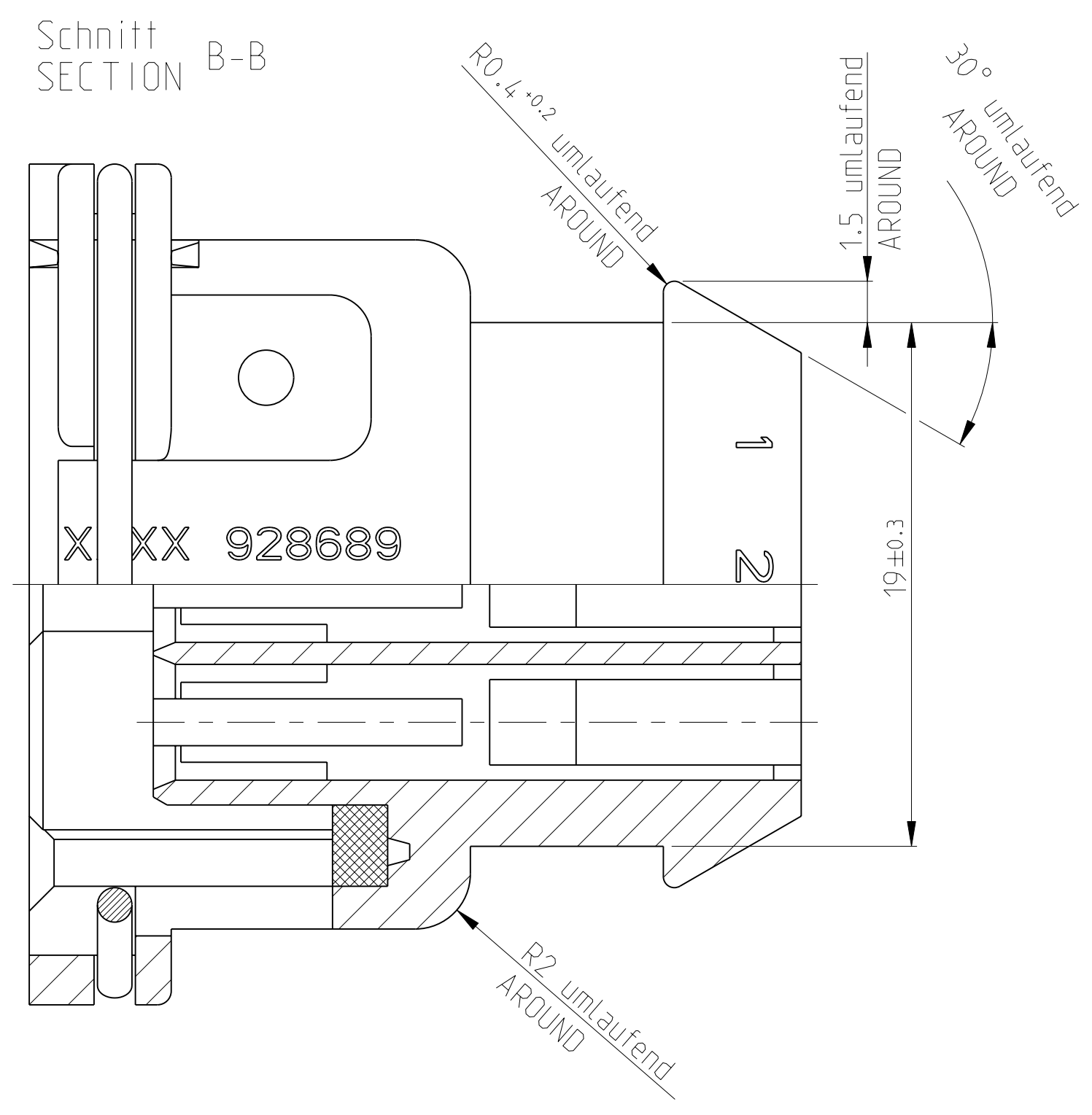
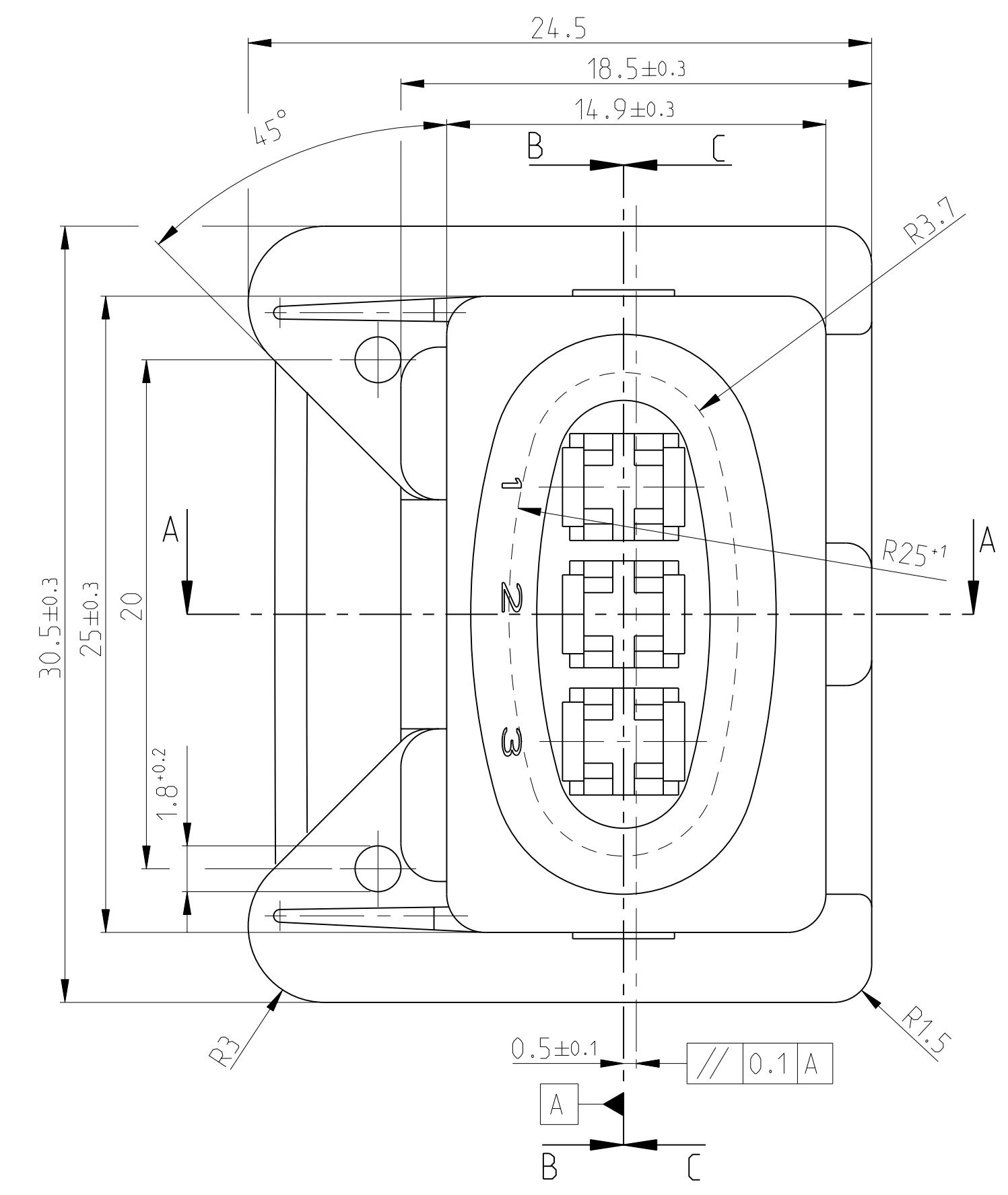


LOC	DIST	REV	DATE	BY	APP'D
A1	-	1	29MAY2007	Haas	Str.



REVISION	OBSELETE	A	-	OBSELETE	-	A	A	A	A				
X										3	3 POS. HOUSING	PA6.6 GV30	YELLOW
X										3	3 POS. HOUSING	PA6.6 GV30	RED
	X									3	3 POS. HOUSING	PA6.6 GV30	GREEN
		X								3	3 POS. HOUSING	PA6.6 GV30	BLUE
			X							3	3 POS. HOUSING	PA6.6 GV30	BROWN
				X						3	3 POS. HOUSING	PA6.6 GV30	BLACK
					X					3	3 POS. HOUSING	PA6.6 GV30	GREY
X	X	X	X	X	X	X	X	X	X	3	3 POS. HOUSING	PA6.6 GV30	WHITE
X	X	X	X	X	X	X	X	X	X	2	SPRING	SPRING STEEL WIRE Federstahl	PLAIN blank
X	X	X	X	X	X	X	X	X	X	1	SEALING	CR	BLACK
828748-8										ITEM No.	DESCRIPTION	MATERIAL Werkstoff	COLOR Farbe
828748-7													
828748-6													
828748-5													
828748-4													
828748-3													
828748-2													
828748-1													

THIS DRAWING IS UNPUBLISHED. RELEASED FOR PUBLICATION 2007 BY TYCO ELECTRONICS CORPORATION, ALL RIGHTS RESERVED.

TYCO ELECTRONICS CORPORATION
 1700 WEST 13TH AVENUE
 DENVER, CO 80202-2700
 TEL: 303.440.1000 FAX: 303.440.1001
 WWW.TYCOELECTRONICS.COM

DWN: Kowolik, R. 30 JAN 1987
 CHK: M. Gok, U. 10 FEB 1987
 APVD: Bleicher, M. 01 SEP 2006

NAME: ASSY OF 3 POS. HOUSING FOR JUNIOR (POWER) TIMER CONTACT

SIZE: A1 00779 C=828748

SCALE: 5:1 SHEET: 1 OF 1 REV: A1

CUSTOMER DRAWING