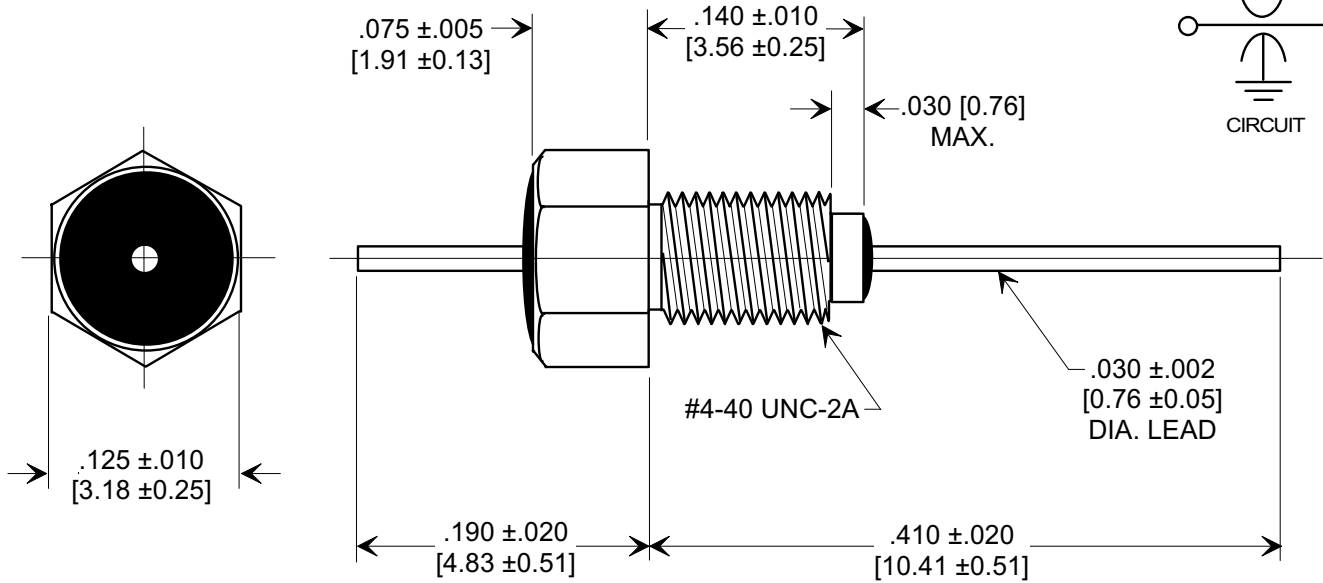
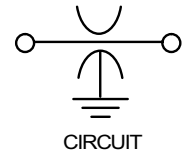
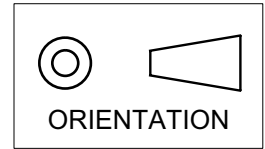


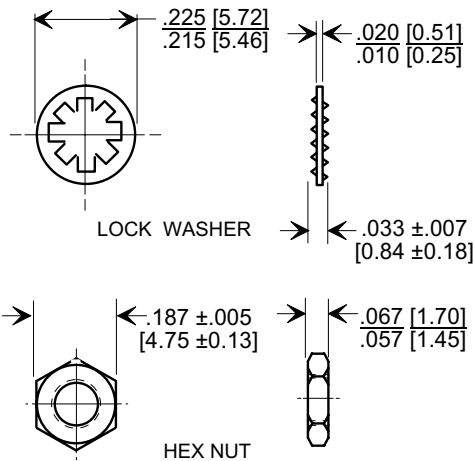
MARKETING SALES DRAWING

DIMENSIONS IN INCHES - DO NOT SCALE THIS DRAWING
DIMENSIONS IN METRIC - []

Electrical Testing
 per Tusonix standard
 test plans and Mil-Std-202
 Test Methods.



MOUNTING HARDWARE



NOTES:

1. OPERATING TEMPERATURE RANGE: -55°C TO +125°C.
2. SILVER PLATED CASE, LEAD AND MOUNTING HARDWARE.
3. MAX. RECOMMENDED MOUNTING TORQUE : 2.0 lb. - in.
4. MAX. RECOMMENDED SOLDERING TEMPERATURE : 260°C.
SEE INSTALLATION RECOMMENDATIONS.
5. NUT AND LOCKWASHER INCLUDED.
6. TUSONIX STANDARD PART NUMBER: 4403-037.
TUSONIX RoHS COMPLIANT PART NUMBER: 4403-037 LF.
CUSTOMER MUST SPECIFY STANDARD OR RoHS PART NUMBER WHEN ORDERING.
7. PART MARKING: TRADEMARK AND VARIATION NUMBER ON HEX FLATS.
STANDARD PART: BLACK INK. RoHS PART: GREEN INK.

1,000	GMV	300	200	10	---	5	20	35	45
CAP.(pf)	TOLERANCE	+85 °C	+125 °C	DC CURRENT (AMPS)	1 MHz	10 MHz	100 MHz	1 GHz	10 GHz
		DC WORKING VOLTAGE							

REVISION RECORD	Original Release C.O. 6965	0	-040 & -680 ADDED, DC WAS5. E.C. 11-20-92	7052	RDN TO COMP FMT. S.M. 07-16-02	20020715-1-25	REVISED NOTES. S.M. 08-01-05	20050718-2-02	--TOLERANCES-- Unless Otherwise Specified		Title MINI BUSHING STYLE EMI FILTER	
	DECIMAL ± NOTED								Drawn S.M. 06-10-02 Scale 8 X			
	ANGLES ± NOTED								Approved J.Mc. 06-10-02			
	TUSONIX TUCSON, ARIZONA								A	4403-037		