

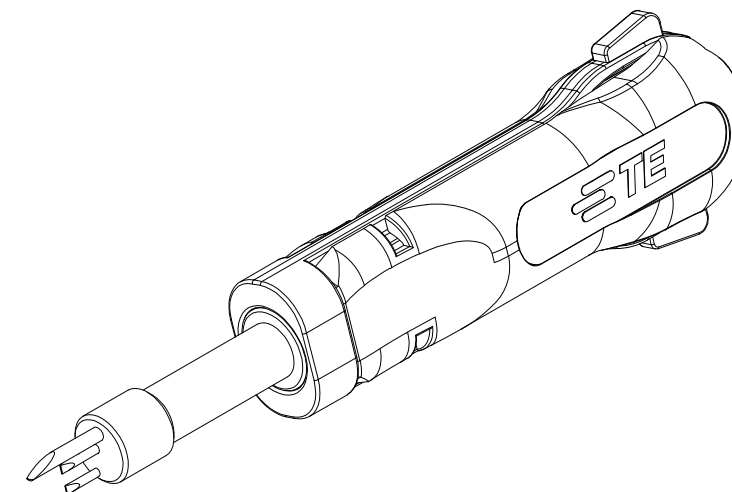
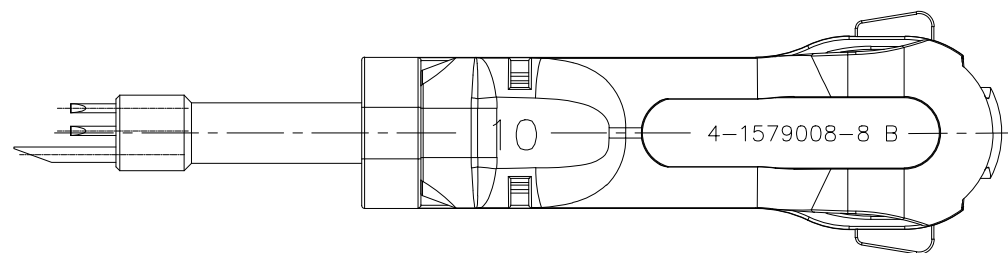
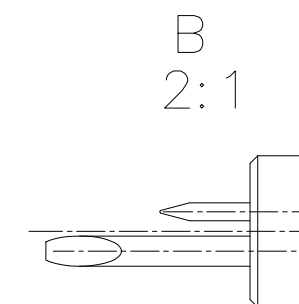
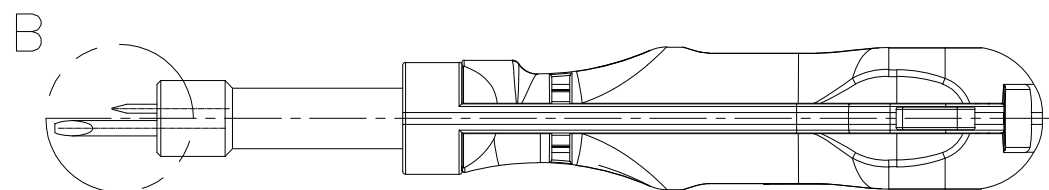
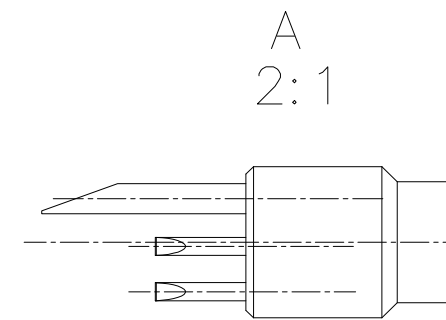
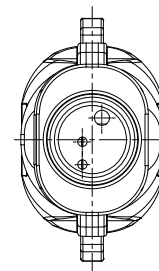
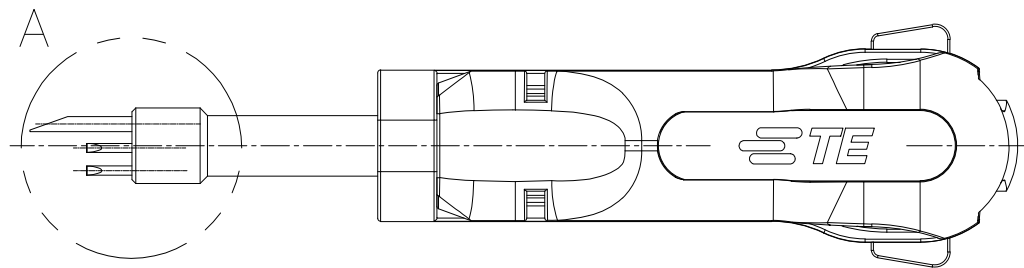
THIS DRAWING IS UNPUBLISHED.

RELEASED FOR PUBLICATION

© COPYRIGHT - BY TYCO ELECTRONICS CORPORATION.

ALL INTERNATIONAL RIGHTS RESERVED.

LOC		DIST		REVISIONS			
P	LTR	DESCRIPTION		DATE	DWN	APVD	
	C	ECR-18-010967		12JUL2018	KH	MB	



THIS DRAWING IS A CONTROLLED DOCUMENT.

DWN 06.11.2006

m.pearson

CHK

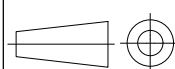


DIMENSIONS:

mm

TOLERANCES UNLESS OTHERWISE SPECIFIED:

- 0 PLC ± -
- 1 PLC ± -
- 2 PLC ± -
- 3 PLC ± -
- 4 PLC ± -
- ANGLES ± -



MATERIAL

FINISH

APVD

PRODUCT SPEC

APPLICATION SPEC

WEIGHT

0,043kg

NAME

EXTRACTION TOOL  
Entriegelungswerkzeug

SIZE

CAGE CODE

DRAWING NO

RESTRICTED TO

A3

00779

C-4-1579008-8

-

CUSTOMER DRAWING

SCALE 1:1

SHEET 1 OF 1

REV C