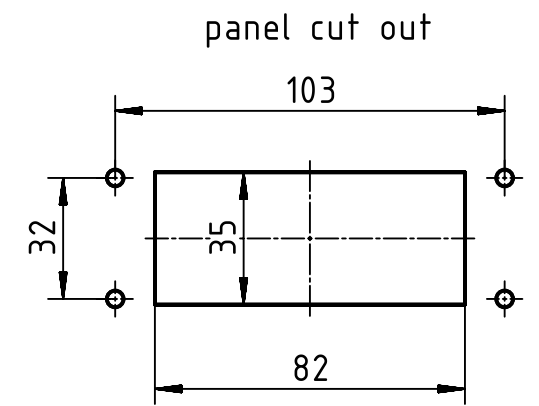
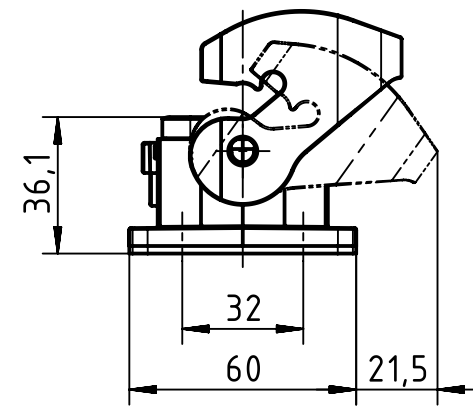
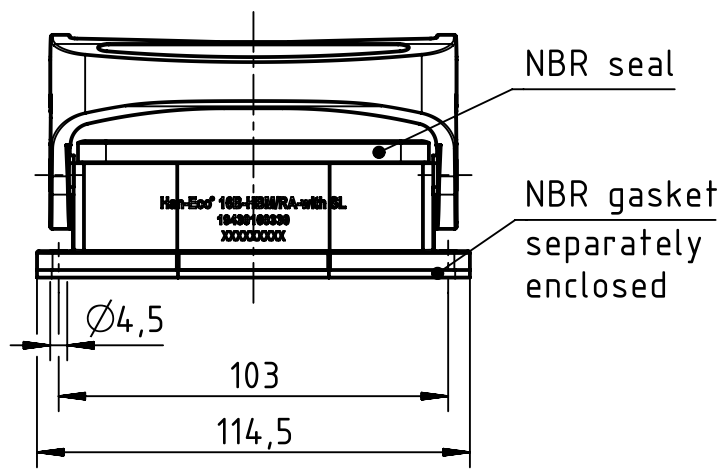
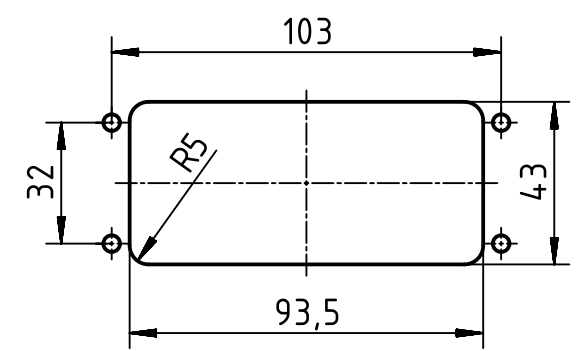
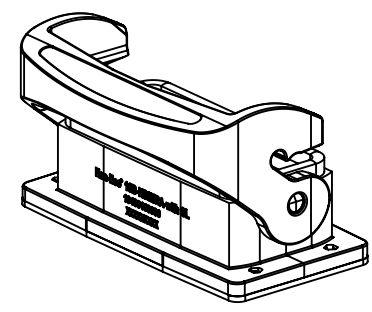
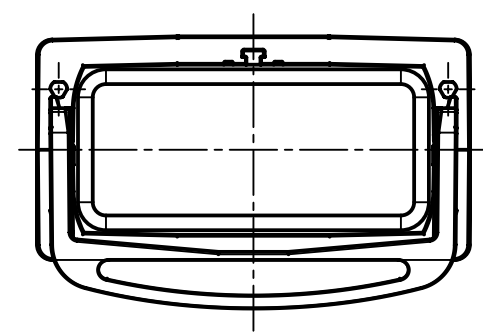


1 2 3 4 5 6

A
B
C
D



panel cut out
for assembly from
the inner side of cabinet



	All rights reserved Department EL PD - DE	All Dimensions in mm Original Size DIN A4		Scale 1:2	Free size tol.		Ref.	
		HARTING Electric GmbH & Co. KG D-32339 Espelkamp		Created by ROEBEN	Inspected by SCHENK	Standardisation TIEMANNA	Date 2018-04-13	State Final Release
Title Han-Eco 16B-HBM/RA-with SL							Doc-Key / ECM-Nr. 100767902/UGD/001/A 500000132917	
Type TB				Number 19 43 016 0330			Rev. A	Page 1/1