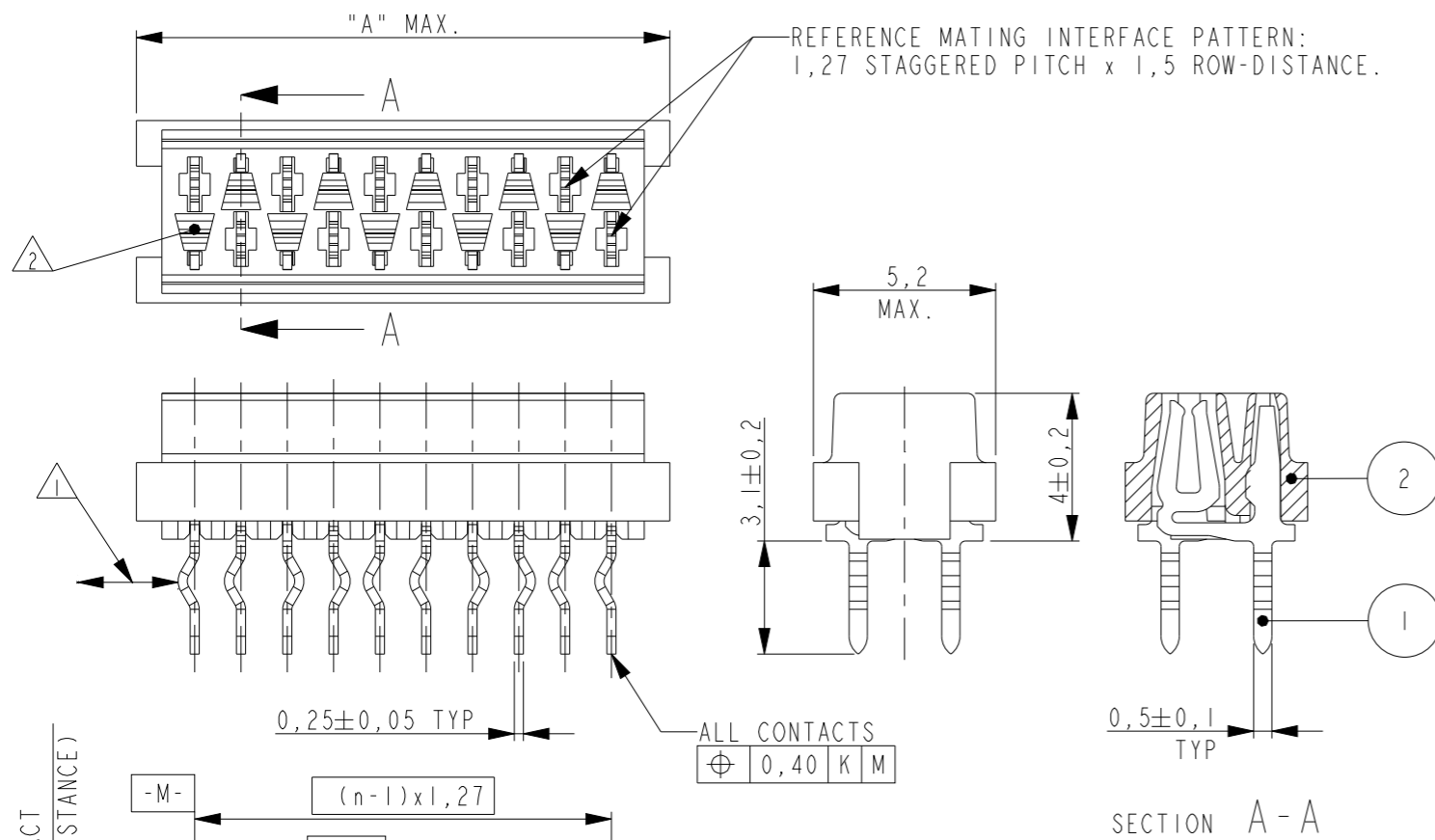
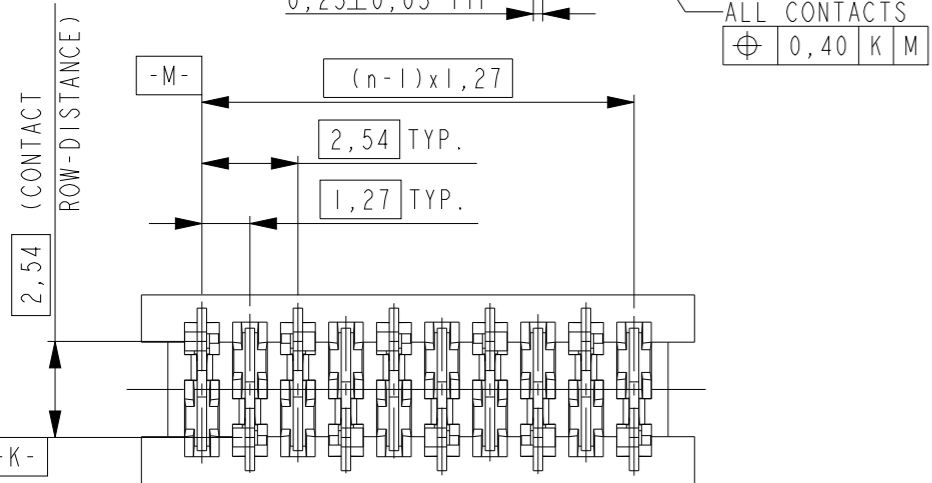


REVISIONS

P	LTR	DESCRIPTION	DATE	DWN	APVD
	A	INITIAL RELEASE	08AUG2014	PS	JK
	A1	PN STATUS UPDATED	17MAY2021	SB	KJK

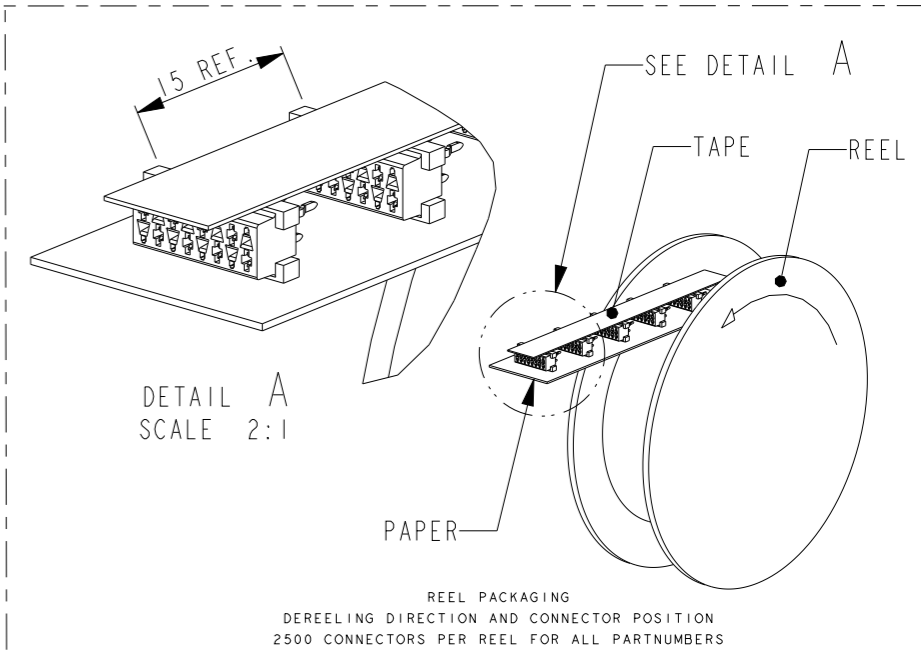


PARTNUMBER REEL PACKAGING	NO. OF POS. "n"	DIMENSION "A" MAX
4 2178710-4	4	7,1
4 2178710-6	6	9,7
4 2178710-8	8	12,2
1-2178710-0	10	14,7
4 +2178710-2	12	17,3
4 +2178710-4	14	19,8
4 +2178710-6	16	22,4
4 +2178710-8	18	24,9
4 2-2178710-0	20	27,4

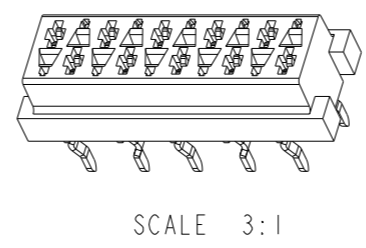
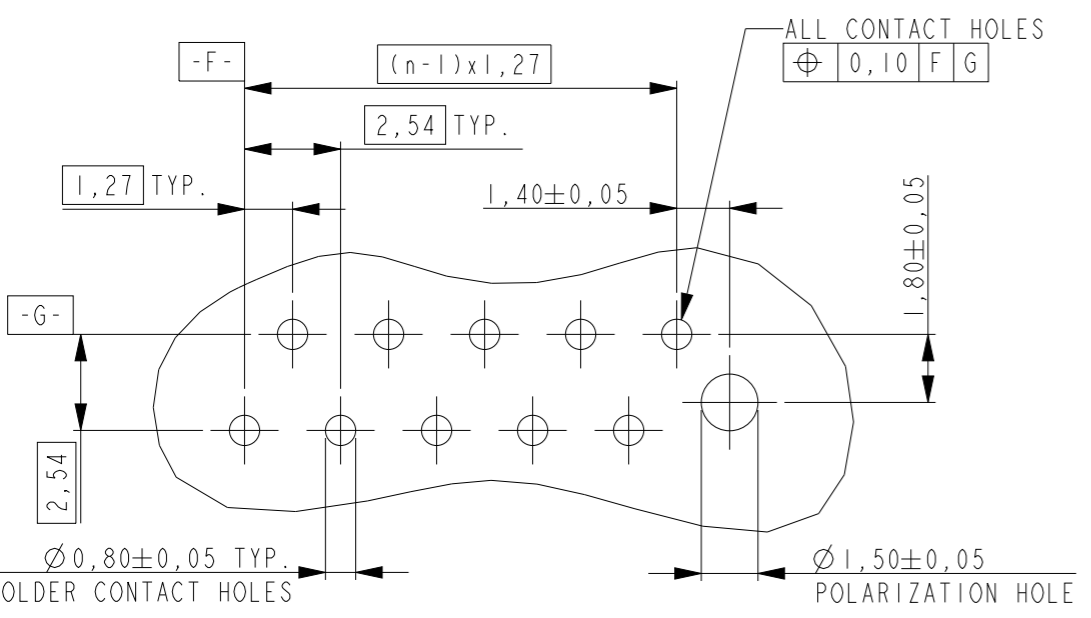


NOTES:

- 1 IN EACH ROW, DIRECTION OF KINKS STARTS RANDOM. IN EACH ROW, SEQUENTIAL CONTACTS HAVE OPPOSITE KINK DIRECTIONS.
- 2 CORING-OUTS FOR MANUFACTURING PURPOSE ONLY. SHAPE MAY VARY, BUT IS NOT FUNCTIONAL FOR THE APPLICATION.
- 3 SHOWN IS A 10 POSITION CONNECTOR.
- 4 OBSOLETE



PC-BOARD HOLE LAYOUT (COMPONENT SIDE OF BOARD SHOWN)



THIS DRAWING IS A CONTROLLED DOCUMENT.

DIMENSIONS:	TOLERANCES UNLESS OTHERWISE SPECIFIED:
mm	0 PLC ±-
	1 PLC ±-
	2 PLC ±-
	3 PLC ±-
	4 PLC ±-
	ANGLES ±-
MATERIAL	FINISH
SEE TABLE	SEE TABLE

2	FEMALE HOUSING	PBT	BLACK
1	FEMALE CONTACT	TIN BRASS	3.0 -5.0µm TIN OVER 0.5µm NICKEL
ITEM NO.	COMPONENT DESCRIPTION	MATERIAL	FINISH / COLOR
DWN	25JUL2014	TE Connectivity NAME Micro-MaTch VALUE LINE FEMALE-ON-BOARD TOP ENTRY, THRU-HOLE CONNECTOR	
PRASHANTH			
CHK	02AUG2014		
PRASHANTH			
APVD	06AUG2014	PRODUCT SPEC	
JAYANTH KUMAR		108-32087	
		APPLICATION SPEC	
		-	
		SIZE	CAGE CODE
		A3	00779
		DRAWING NO	RESTRICTED TO
		C=2178710	
CUSTOMER DRAWING		SCALE	SHEET
		5:1	1 OF 1
		REV	A1