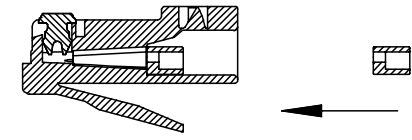
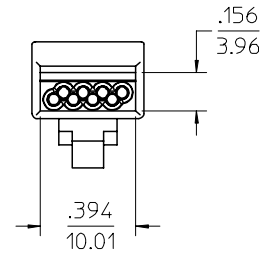


ISOMETRIC VIEW
(NOT TO SCALE)



- NOTES:
- MATERIAL:
PLUG: POLYCARBONATE, 94V-0, COLOR: CLEAR,
LOAD BAR: POLYCARBONATE, 94V-0, COLOR: CLEAR,
CONTACTS: PHOSPHOR BRONZE.
 - CONTACT PLATING:
50 MICROINCHES / 1.27 MICROMETERS MIN. SELECT GOLD OVER
100 MICROINCHES / 2.54 MICROMETERS MIN. NICKEL UNDERPLATE.
 - PRODUCT SPECIFICATION: PS-44915-003
 - PACKAGING SPECIFICATION:
ALL PARTS ARE BULK PACKED PER MOLEX PACKAGING
SPECIFICATION PK-44915-003.
 - FOR USE WITH 22 TO 28 AWG SOLID OR STRANDED
CONDUCTORS WITH AN INSULATION O.D. RANGE OF .037/0.94 -
.042/1.07 AND A JACKET O.D. OF .217/5.5 - .256/6.5.
 - EIGHT CONDUCTOR MODULAR PLUG, CONFORMS TO F.C.C.
REGULATION PART 68.5 FOR MODULAR PLUGS.
 - PLUG REQUIRES THE LOAD BAR.
 - ALL UNTOLERANCED DIMENSIONS ARE FOR REFERENCE ONLY.
 - PLUG EXCEEDS CATEGORY 5 EIA/TIA 2840, ANNEX B
SPECIFICATION, PERFORMANCE TUNED TO CABLES MEETING
PROPOSED CATEGORY 6 SPECIFICATIONS.
 - THE PRIMARY SHIPPING CARTON WILL BE LABELED "COMPLIANT
TO RoHS DIRECTIVE 2002/95/EC AND ELV ANNEX II OF
DIRECTIVE 2000/53/EC". CARTONS WITHOUT THIS LABEL
MAY NOT BE COMPLIANT.
 - THIS PART CONFORMS TO CLASS B REQUIREMENTS OF
COSMETIC SPECIFICATION PS-45499-002.

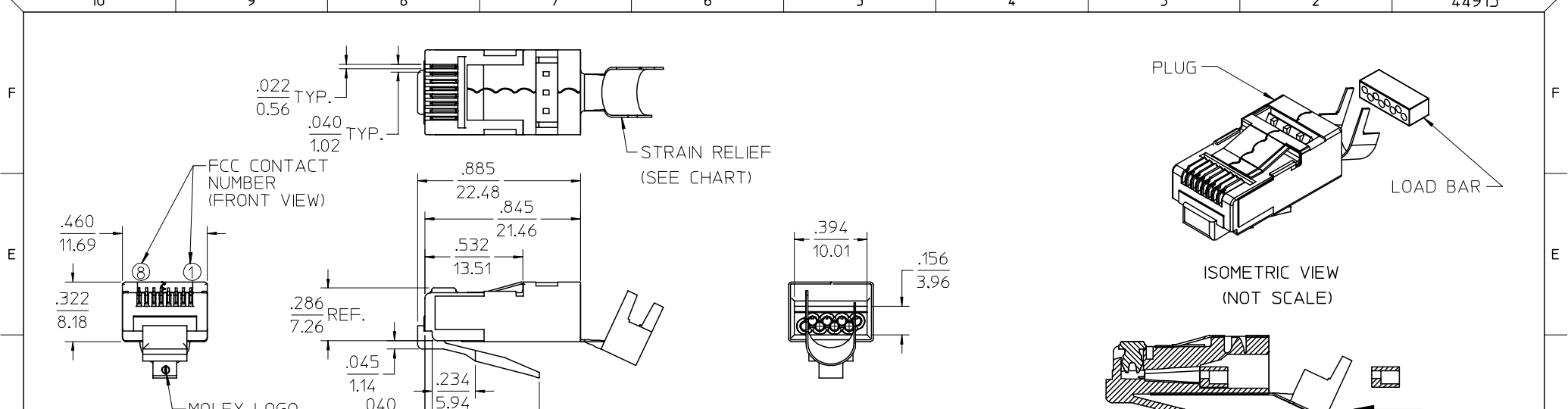
MATERIAL NUMBER	MOLEX LOGO
449150001	YES
449150002	NO
SCALE 2:1	DESIGN UNITS INCH
THIRD ANGLE PROJECTION	

UPDATE NOTE 5 EC NO: UCP2007-1736 DRW: JRELL 2007/01/29 CHK: DLSCHM1DT 2007/01/30 APPR: FSWJTH 2007/02/01	QUALITY SYMBOLS
	▽=0 ▽=0
REV	DESCRIPTION
A5	

GENERAL TOLERANCES (UNLESS SPECIFIED)	
	INCH
4 PLACES	± .005
3 PLACES	± .004
2 PLACES	± .003
1 PLACE	± .002
ANGULAR ±1/2°	
DRAFT WHERE APPLICABLE MUST REMAIN WITHIN DIMENSIONS	

DIMENSION STYLE IN/MM	
DRAWN BY	DATE
MARGUL IS	01/01/12
CHECKED BY	DATE
MARGUL IS	01/01/12
APPROVED BY	DATE
COMERC I	01/01/12
MATERIAL NO. SEE CHART	

TITLE RJ-45 PLUG FOR PROPOSED CAT 6 SPECIFICATIONS	
MOLEX INCORPORATED	
DOCUMENT NO. SD-44915-001	SHEET NO. 1 OF 2

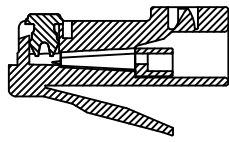


- NOTES:
- MATERIAL:
 PLUG: POLYCARBONATE, 94V-0, COLOR: CLEAR,
 LOAD BAR: POLYCARBONATE, 94V-0, COLOR: CLEAR,
 CONTACTS: PHOSPHOR BRONZE,
 SHIELD: BRASS.
 - CONTACT PLATING:
 50 MICROINCHES / 1.27 MICROMETERS MIN. SELECT GOLD OVER
 100 MICROINCHES / 2.54 MICROMETERS MIN. NICKEL UNDERPLATE.
 SHIELD:
 100 MICROINCHES / 2.54 MICROMETERS BRIGHT TIN OVER
 30 MICROINCHES / 0.76 MICROMETERS COPPER UNDERPLATE.
 - PRODUCT SPECIFICATION: PS-44915-003
 - PACKAGING SPECIFICATION:
 ALL PARTS ARE BULK PACKED PER MOLEX PACKAGING
 SPECIFICATION PK-44915-003.
 - FOR USE WITH 22 TO 28 AWG SOLID OR STRANDED
 CONDUCTORS WITH AN INSULATION O.D. RANGE OF .037/0.94 -
 .042/1.07 AND A JACKET O.D. OF .217/5.5 - .256/6.5.
 - EIGHT CONDUCTOR MODULAR PLUG CONFORMS TO F.C.C.
 REGULATION PART 68.5 FOR MODULAR PLUGS.
 - PLUG REQUIRES THE LOAD BAR.
 - ALL UNTOLERANCED DIMENSIONS ARE FOR REFERENCE ONLY.
 - PLUG EXCEEDS CATEGORY 5 EIA/TIA 2840, ANNEX B
 SPECIFICATION, PERFORMANCE TUNED TO CABLES MEETING
 PROPOSED CATEGORY 6 SPECIFICATIONS.
 - THE PRIMARY SHIPPING CARTON WILL BE LABELED "COMPLIANT
 TO RoHS DIRECTIVE 2002/95/EC AND ELV ANNEX II OF
 DIRECTIVE 2000/53/EC". CARTONS WITHOUT THIS LABEL
 MAY CONTAIN PRODUCT WITH TIN-LEAD IN THE SHIELD.
 - THIS PART CONFORMS TO CLASS B REQUIREMENTS OF
 COSMETIC SPECIFICATION PS-45499-002.

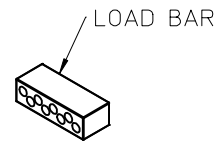
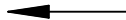
MATERIAL NUMBER	MOLEX LOGO	STRAIN RELIEF
449150011	YES	NO
449150012	NO	NO
449150021	YES	YES
449150022	NO	YES

UPDATE NOTE 2 & 5 EC NO: UCP2007-1736 DRWN: BELL 2007/01/29 CHKD: LSCMIDT 2007/01/30 APPR: FSMITH 2007/02/01	QUALITY SYMBOLS ▽=0 ▽=0	GENERAL TOLERANCES (UNLESS SPECIFIED) mm INCH 4 PLACES ± --- ± --- 3 PLACES ± --- ± --- 2 PLACES ± --- ± --- 1 PLACE ± --- ± --- ANGULAR ±1/2°	DIMENSION STYLE IN/MM DRAWN BY DATE MARGUL IS 01/01/12 CHECKED BY DATE MARGUL IS 01/01/12 APPROVED BY DATE COMERC I 01/01/12	SCALE 2:1 DESIGN UNITS INCH THIRD ANGLE PROJECTION
		DRAFT WHERE APPLICABLE MUST REMAIN WITHIN DIMENSIONS	MATERIAL NO. SEE CHART SIZE B THIS DRAWING CONTAINS INFORMATION THAT IS PROPRIETARY TO MOLEX INCORPORATED AND SHOULD NOT BE USED WITHOUT WRITTEN PERMISSION	TITLE RJ-45 PLUG FOR PROPOSED CAT 6 SPECIFICATIONS MOLEX MOLEX INCORPORATED DOCUMENT NO. SD-44915-001 SHEET NO. 2 OF 2

10 9 8 7 6 5 4 3 2 1



44915 PLUG



LOAD BAR

ISOMETRIC VIEW
(NOT TO SCALE)

NOTES:

1. MATERIAL:
LOAD BAR: POLYCARBONATE, 94V-0, COLOR: CLEAR,
2. CONTACT PLATING: N/A
3. PRODUCT SPECIFICATION: PS-44915-003
4. PACKAGING SPECIFICATION: PK-44915-004
5. REPLACEMENT LOAD BAR FOR 44915 SERIES PLUGS.
6. THIS PART CONFORMS TO CLASS B REQUIREMENTS OF COSMETIC SPECIFICATION PS-45499-002.

MATERIAL NUMBER

449150024

UPDATE NOTE 4 EC NO: UCP2014-4149 DRAWN BY: DRWANGUYEN 2014/04/23 CHKD: JBELL 2014/04/23 APPR: FSMITH 2014/05/05	DESCRIPTION REV A1	QUALITY SYMBOLS	GENERAL TOLERANCES (UNLESS SPECIFIED)	DIMENSION STYLE	SCALE	DESIGN UNITS	THIRD ANGLE PROJECTION	
		∇=0 ∇=0 ∇=0	mm INCH 4 PLACES ± --- ± --- 3 PLACES ± --- ± --- 2 PLACES ± --- ± --- 1 PLACE ± --- ± --- 0 PLACE ± ±	IN/MM DRAWN BY: NNGUYEN 2014/03/27 CHECKED BY: JBELL 2014/03/27 APPROVED BY: FSMITH 2014/04/07	2:1	INCH		
		ANGULAR ±1/2° DRAFT WHERE APPLICABLE MUST REMAIN WITHIN DIMENSIONS			MATERIAL NO. SEE CHART	TITLE LOAD BAR FOR 44915 SERIES RJ-45 PLUG	DOCUMENT NO. SD-44915-002	SHEET NO. 1 OF 1
		THIS DRAWING CONTAINS INFORMATION THAT IS PROPRIETARY TO MOLEX INCORPORATED AND SHOULD NOT BE USED WITHOUT WRITTEN PERMISSION						

9 8 7 6 5 4 3 2 1