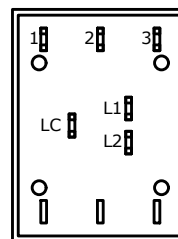
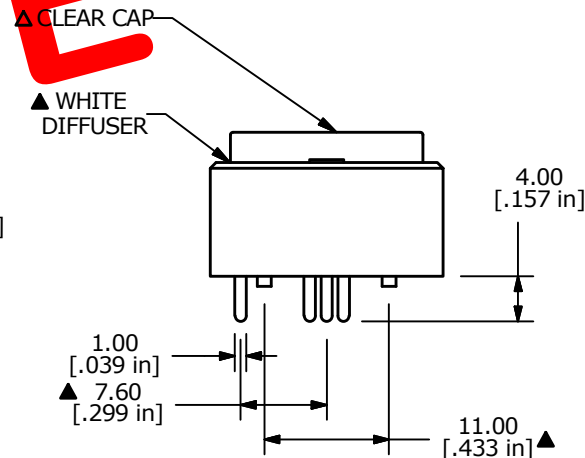
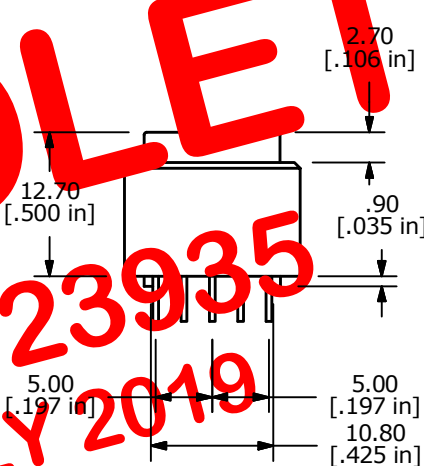


- NOTES:
1. ALL DIMENSIONS IN MM
 2. GENERAL TOLERANCE: X.X=±0.4
X.XX=±0.25
 3. TERM. NOS. FOR REFERENCE ONLY
 - ▲ 4. CONTACT RATING: 0.5A @ 100 VAC OR 25 VDC
0.2A @ 250 VAC
 5. CONTACT MATERIAL: SILVER
 6. ELECTRICAL LIFE: 200,000 Typical
 7. MECHANICAL LIFE:
1,000,000 CYCLES TYP.
 8. OPERATING TEMP: -20°C TO +70°C
 9. OPERATING FORCE: 200 ± 100 gf
 10. CONTACT RESISTANCE:
50 MILLI-OHM INITIAL TYP. MAX.
 11. INSULATION RESISTANCE:
500VDC, 100 MΩ MIN.
 12. DIELECTRIC STRENGTH:
1000 VAC FOR 1 MINUTE
 13. TRAVEL TO MAKE: 2.20mm ± 0.2
 14. 2002/95/EC (ROHS) COMPLIANT
 - 15.▲ DENOTES CRITICAL PARAMETER
 - ▲ 16. LED COLOR: RED: 3 CHIPS; 1.7VDC, @20mA TYP.
GRN: 3 CHIPS; 2.1VDC, @20mA TYP.

OBSOLETE

PCR 23935

JULY 2019



C	19748	UPDATE DRAWINGS	03/09/11	BMA
B	17765	ADDED NOTE 16	10/10/07	BF
REV	PCR NO	DESCRIPTION	DATE	BY

E-SWITCH®				
TITLE ULP12OAP1QRFCL1REDGRN				
SCALE	DATE	DR	DWG	REV
1.5 : 1	10/10/2007	BF	B810020	C

THE INFORMATION CONTAINED IN THIS DOCUMENT IS PROPRIETARY TO E-SWITCH AND IS NOT TO BE COPIED OR TRANSFERRED