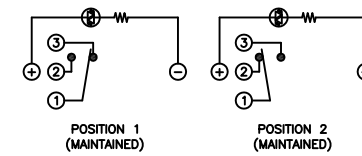


SCHEMATIC



SPECIFICATIONS

- FUNCTION:**
1P2T ON-ON
- RATING:**
2A 48VDC
- ILLUMINATION VOLTAGE:**
12V 20mA
- CONTACT RESISTANCE:**
Initial: 50mΩ Max. at 1A 12VDC
- INSULATION RESISTANCE:**
1,000MΩ Min. at 500VDC
- DIELECTRIC STRENGTH:**
2,000VAC Min. for 1 Minute
- ELECTRICAL LIFE:**
50,000 Cycles
- MECHANICAL LIFE:**
1,000,000 Cycles
- TEMPERATURE:**
Operating: -20°C to 70°C
- INGRESS PROTECTION:**
IP65

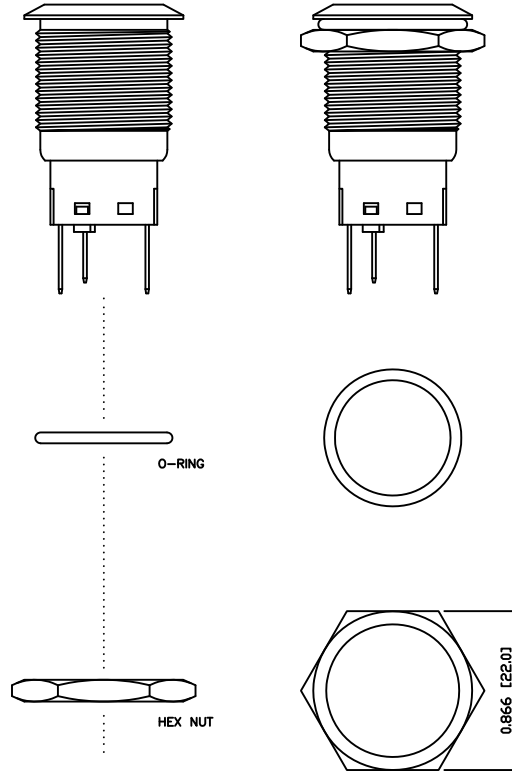
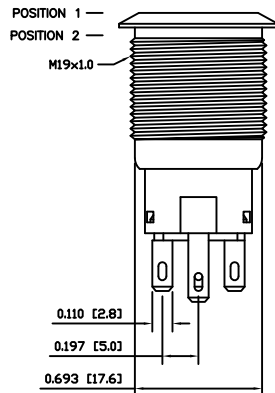
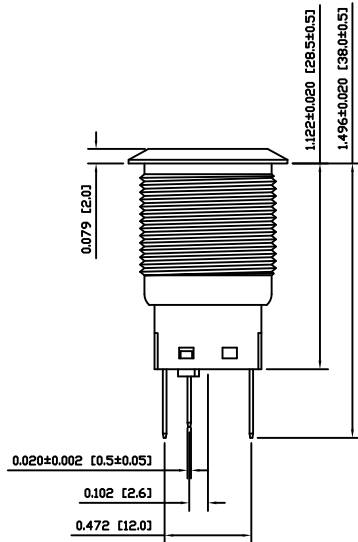
APPROVALS:
RoHS
COMPLIANT

MATERIALS

- BUSHING:**
Aluminum
- BASE:**
Polybutylene Terephthalate (PBT), UL94 V-2
- ACTUATOR:**
Aluminum
Polycarbonate (PC), UL94 V-2
- HARDWARE:**
Nickel Plated Brass (H59)
- SEALING:**
Silicone
Stainless Steel (304)
- INNER ASSEMBLY:**
Polyoxymethylene (POM), UL94 V-2
Polycarbonate (PC), UL94 V-2
Brass (H59)
- SPRING:**
Steel (Cr18Ni9)
- CONTACTS:**
Silver Plated Copper
- TERMINALS:**
Silver Plated Brass (H59)
- O-RING:**
Nitrile Butadiene Rubber (NBR)

COLORS AND FINISH

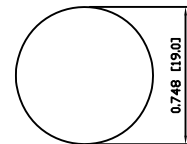
- BEZEL:**
Black
Anodized Finish
- ACTUATOR:**
Black
Anodized Finish
- ILLUMINATION:**
Blue (Forward)
Blue (Reverse)
- MARKING:**
None



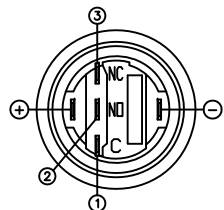
EXPLODED VIEW

ASSEMBLED VIEW

SUGGESTED PANEL CUTOUT



MAXIMUM PANEL THICKNESS: 0.433 [11.0mm]



BODY	A	09/07/24	CAB
COLORS	A	09/07/24	CAB
MATERIALS	B	09/10/16	CAB
SPECIFICATIONS	A	09/07/27	CAB
REFERENCE	REV.	DATE	BY

THE INFORMATION CONTAINED IN THIS DOCUMENT IS PROPRIETARY TO E-SWITCH AND IS NOT TO BE COPIED OR TRANSFERRED

B	CORRECTED TERMINAL MATERIAL	PCRD0167	09/10/16	CAB
A	INITIAL RELEASE	PCRD0123	09/09/22	CAB
REV.	DESCRIPTION	PCR	DATE	DRAWN BY

DIMENSIONS	
INCHES [MILLIMETERS]	
GENERAL TOLERANCES	
±0.008 [±0.2] / ±1'	
SCALE	PROJECTION
DRAWING NOT TO SCALE	1:1

PV4F23011-344

DRAWING NUMBER 52-PV4F23011344	DATE OCTOBER 16, 2009	REVISION B
-----------------------------------	--------------------------	---------------