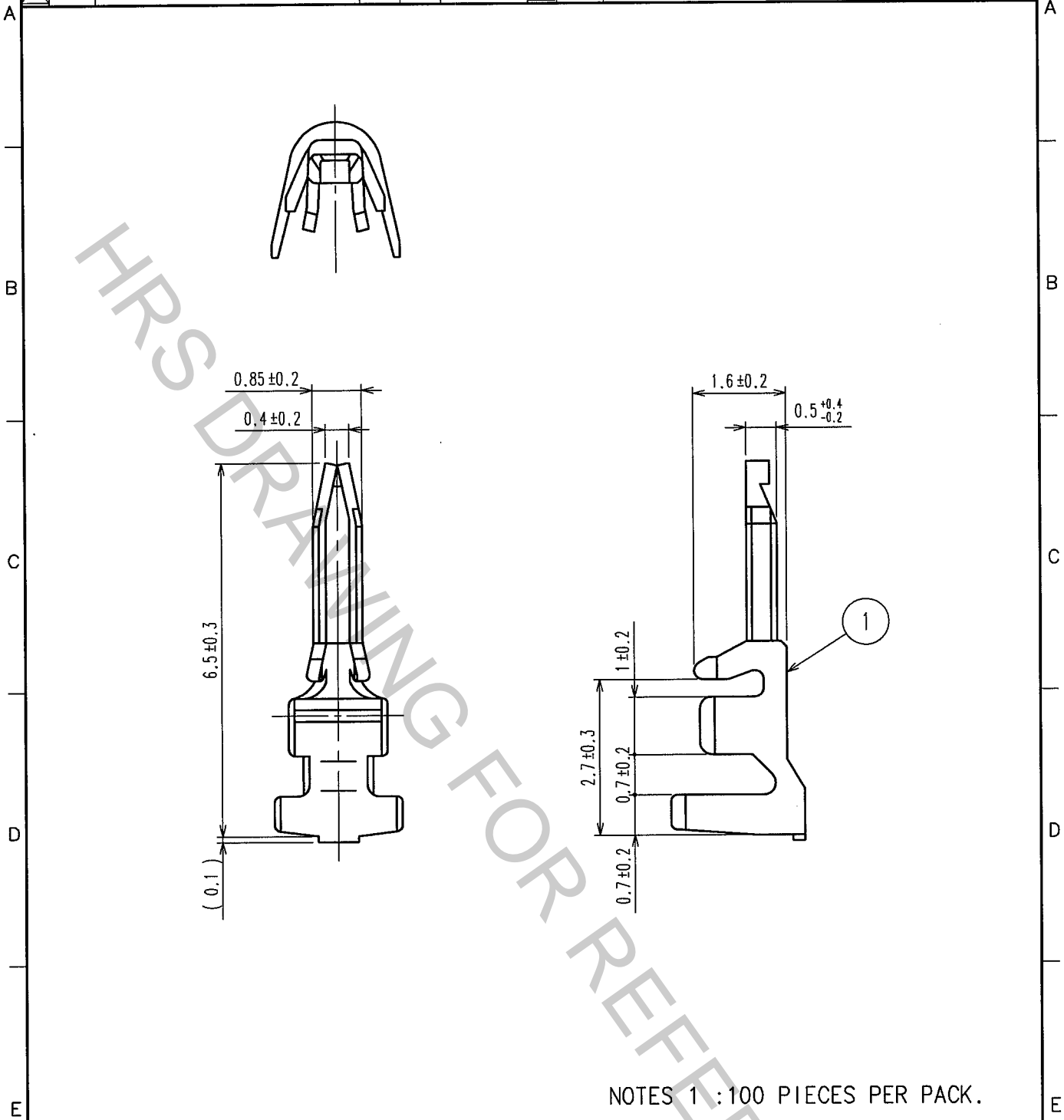


1		2			3			4		
COUNT	DESCRIPTION OF REVISIONS	BY	CHKD	DATE	COUNT	DESCRIPTION OF REVISIONS	BY	CHKD	DATE	
△					△					
△					△					
△					△					



1	BRASS	SURFACE: TIN PLATED $2\mu\text{m min}$ UNDER PLATING: NICKEL PLATED $0.5\mu\text{m min}$
---	-------	---

NO.	MATERIAL	FINISH, REMARKS	NO.	MATERIAL	FINISH, REMARKS
-----	----------	-----------------	-----	----------	-----------------

CODE NO. (OLD)	DRAWN	DESIGNED	CHECKED	APPROVED	RELEASED
	F. Matsuki	H. Umehara	J. Ona	J. Ona	
	'04.04.16	'04.04.16	04.04.16	04.04.16	

 SACLE 10 : 1 UNITS mm	DRAWING NO.	PART NO.
	EDC4-019442-02	DF4-2428PC(05)
 HIROSE ELECTRIC CO., LTD.	CODE NO.	1/1
	CL544-0021-6-05	

TO