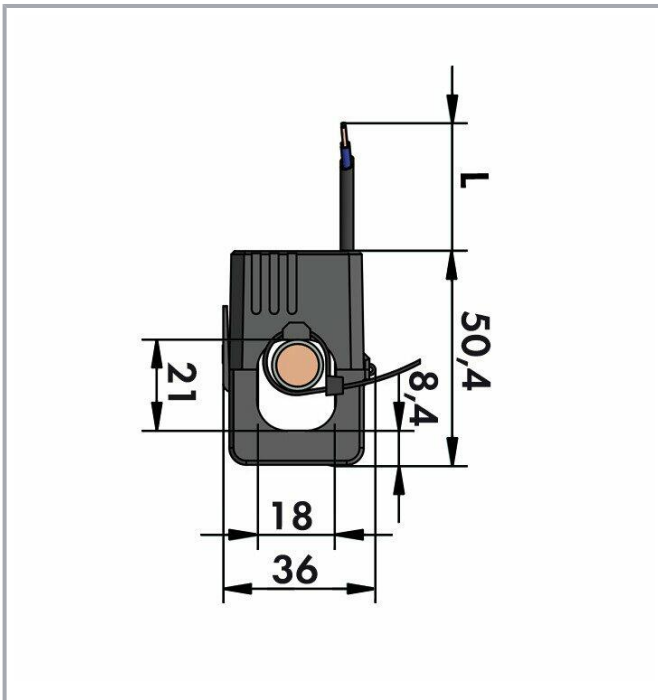
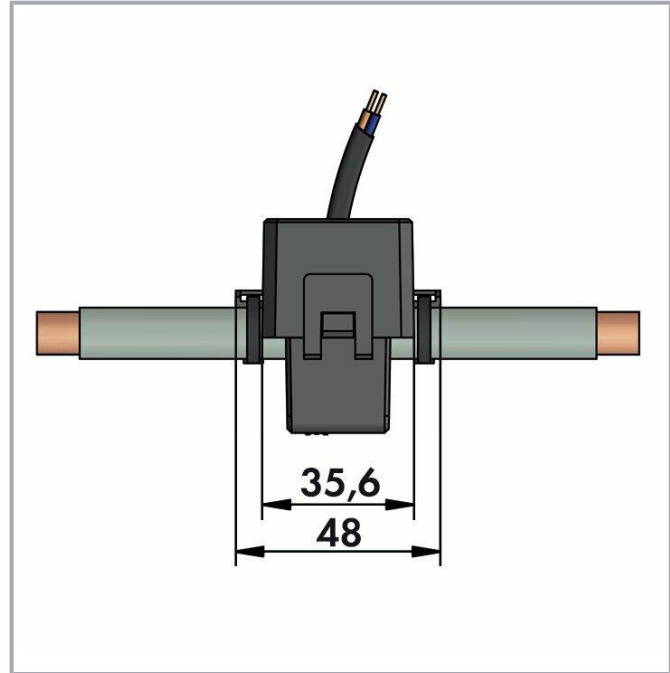


Data sheet | Item number: 855-3001/075-003

Split-core current transformer; Primary rated current: 75 A; Secondary rated current: 1 A; Rated power: 0.2 VA; Accuracy class: 3



www.wago.com/855-3001/075-003



Subject to changes. Please also observe the further product documentation!

WAGO GmbH & Co. KG
Hansastr. 27
32423 Minden
Phone: +49571 887-0 | Fax: +49571 887-169
Email: info.de@wago.com | Web: www.wago.com

Do you have any questions about our products?
We are always happy to take your call at +49 (571) 887-44222.



Item description

Short description:

WAGO's compact split-core current transformers are ideal for retrofitting existing systems. They are perfect for applications in which the current path must not be disrupted. The transformer's accuracy permits extremely precise current measurements. The split-core current transformers are capable of supplying the specified rated power at the end of the secondary cable. All transformers are supplied with color-coded cables. Two UV-resistant cable ties are also included for secure and easy mounting.

Features:

- Current ratios from 75 A (primary side) and 1 A (secondary side)
- No primary cable interruption
- Ideal for use in very confined spaces
- Rapid mounting
- For use around insulated conductors (18 mm Ø)
- Compact and hinged
- Color-coded connection cable (3 m)

Data

Technical data

Input Current Transformers

Primary rated current	75 A
Rated continuous thermal current I_{cth}	100 %
Rated short-time thermal current I_{th}	$60 \times I_N / 1 \text{ s}$
Rated surge current I_{dyn}	$2.5 \times I_{th}$
Rated frequency	50 ... 60 Hz

Output (current transformer)

Secondary rated current	1 A
Rated power S_r	0.2 VA

Measurement Error

Accuracy class	3
----------------	---

Subject to changes. Please also observe the further product documentation!

Safety and protection

Highest voltage for equipment U_m	AC 720 V _{rms}
Protection type	IP20

Test voltage

Test voltage	AC 6 kV; 50 Hz; 1 min
--------------	-----------------------

Connection data

Feedthrough for measurement conductor	Ø 18 mm
Cable type	2 x 0.5 mm ² ; fine-stranded
Color code	brown = S1; blue = S2

Physical data

Cable length	3 m
--------------	-----

Mechanical Data

Mounting type	Split-core current transformer (suspended)
---------------	--

Material Data

Flammability class per UL94	V2
Weight	225 g

Environmental requirements

Ambient temperature (operation)	-10 ... +55 °C
Ambient temperature (storage)	-20 ... +70 °C
Relative humidity	5 ... 85 % (without condensation)
Operating altitude (max.)	2000 m

Standards and specifications

Standards/specifications	EN 61869-1 EN 61869-2
--------------------------	--------------------------

Subject to changes. Please also observe the further product documentation!

Commercial data


ETIM 8.0	EC002048
ETIM 7.0	EC002048
PU (SPU)	1 pcs
Packaging type	box
Country of origin	NL
GTIN	4055143950565
Customs tariff number	85043180888

Environmental Product Compliance

RoHS Compliance Status	Compliant, No Exemption
------------------------	-------------------------


Approvals / Certificates

General approvals

Logo	Approval	Additional Approval Text	Certificate name
	EAC Brjansker Zertifizierungsstelle	TP TC 004/2011, TP TC 020/2011	EAC RU C-DE.AM02.B.00111 /19

Optional accessories

Signal conditioner

Current signal conditioner	
	<p>Item no.: 857-551</p> <p>Current signal conditioner; Current input signal; Current and voltage output signal; Digital output; Configuration via software; Supply voltage: 24 VDC; 6 mm module width</p> <p>www.wago.com/857-551</p>

Downloads

Documentation

Bid Text

X81 - Datei	xml	Download
	5.4 kB	
docx - Datei	docx	Download
	15.3 kB	

Instruction Leaflet

Subject to changes. Please also observe the further product documentation!

Kabelumbau-Stromwandler

V 1.1.0
2020 Jan 15

pdf
832.5 kB

[Download](#)

Engineering-Software

Configuration and Commissioning Software

WAGO Interface Configuration Software G2 FULL

1.00.10.01
2022 Jan 20

exe
114.9 MB

[Download](#)

The full setup, in addition to the WAGO Interface Configuration Software G2, includes the installation for the Microsoft .NET Framework.

Environmental Product Compliance

Compliance Search

Environmental Product Compliance 855-3001/075-003

[URL](#)

[Download](#)

Split-core current transformer; Primary rated current: 75 A; Secondary rated current: 1 A; Rated power: 0.2 VA; Accuracy class: 3

Installation Notes

Installation



Simple termination!



Quick and easy mounting!

Subject to changes. Please also observe the further product documentation!



Subject to changes. Please also observe the further product documentation!