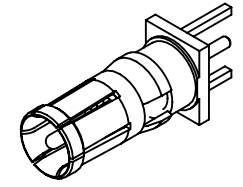
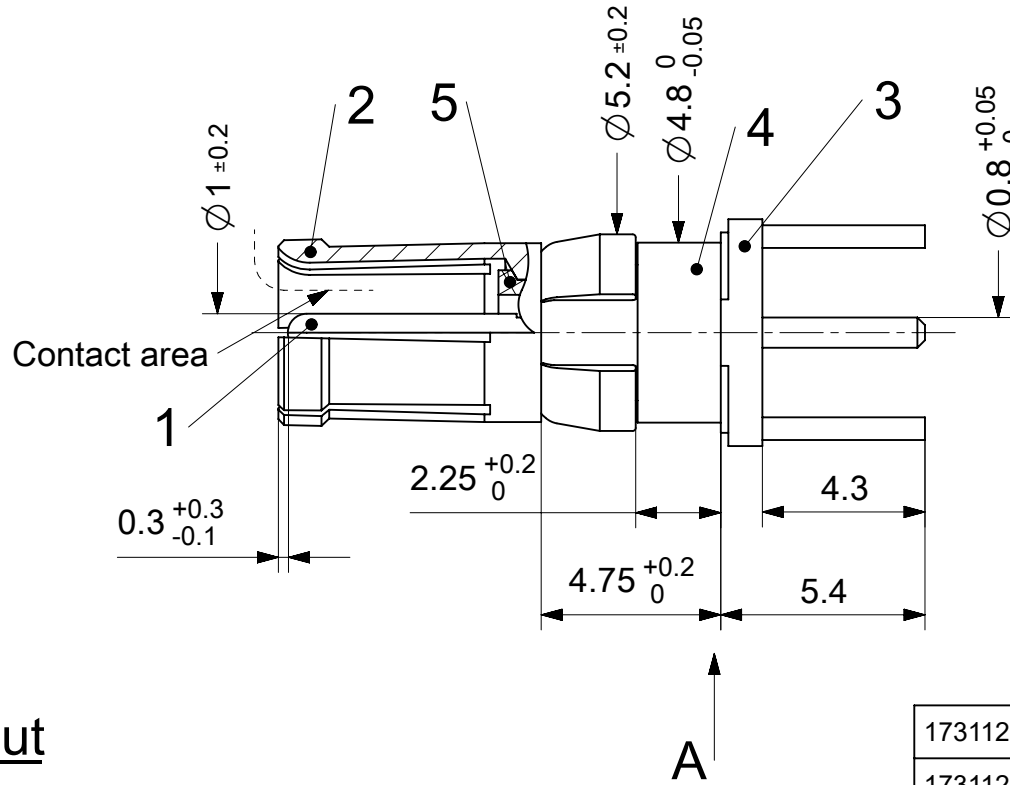
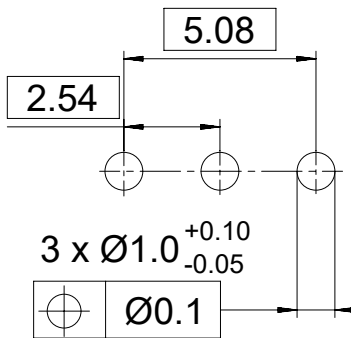


PCB-Layout



2:1

RoHS compliant
by exemption

1731120821	FME005S101	101
1731120189	FME005S102	102
1731121071	FME005S202	202
Material Number	FCT Part Number	Material + Finish See extra sheet

UNLESS OTHERWISE SPECIFIED DIMENSIONS FOR REFERENCE ONLY				REPLACEMENT FOR DOCUMENT NUMBER: FME005S			
THIS DRAWING CONTAINS INFORMATION THAT IS PROPRIETARY TO MOLEX ELECTRONIC TECHNOLOGIES, LLC AND SHOULD NOT BE USED WITHOUT WRITTEN PERMISSION							
FUNCTIONAL SYMBOLS	DIMENSION UNITS	SCALE	CURRENT REV DESC:				
$\frac{F}{A} = 0$	mm	5:1	EC NO: 710158 DRWN: VLOKESHA 2021/04/15 CHK'D: FVETTER 2022/06/13 APPR: FVETTER 2022/06/13 INITIAL REVISION: DRWN: VLOKESHA 2021/04/15 APPR: FVETTER 2022/06/13				
$\frac{F}{E} = 0$	GENERAL TOLERANCES (UNLESS SPECIFIED)						
$\frac{F}{P} = 0$	ANGULAR TOL ± °						
DIVISIONAL SYMBOLS	4 PLACES	±					
	3 PLACES	±	PRODUCT CUSTOMER DRAWING				
	2 PLACES	±	DOCUMENT NUMBER		DOC TYPE	DOC PART	REVISION
	1 PLACE	±	1731120821		PSD	000	A
	0 PLACES	±	MATERIAL NUMBER		CUSTOMER		SHEET NUMBER
	DRAFT WHERE APPLICABLE MUST REMAIN WITHIN DIMENSIONS		FIRST ANGLE PROJECTION	DRAWING	SERIES	MATERIAL NUMBER	CUSTOMER
				A4-SIZE	173112	SEE TABLE	GENERAL MARKET

DOCUMENT STATUS	P1	RELEASE DATE	2022/06/13	13:27:15
-----------------	----	--------------	------------	----------