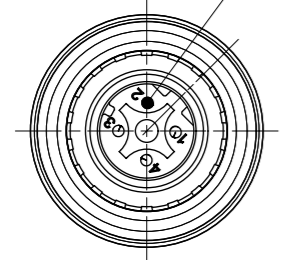


VIEW FROM THE FRONT SIDE

PIN	WIRE COLOR
1	YE
2	WH
3	OR
4	BU

SHIELD CONNECTED TO COUPLING NUTS



VIEW FROM THE FRONT SIDE

PART No. MATRIX

E	W	W	A	0	6	2	1	0	M	X	X	X
---	---	---	---	---	---	---	---	---	---	---	---	---

E=ETHERNET

HEADS:
W=M12 4-Pole Ultra Lock D-Coding
W=M12 4-Pole Ultra Lock D-Coding

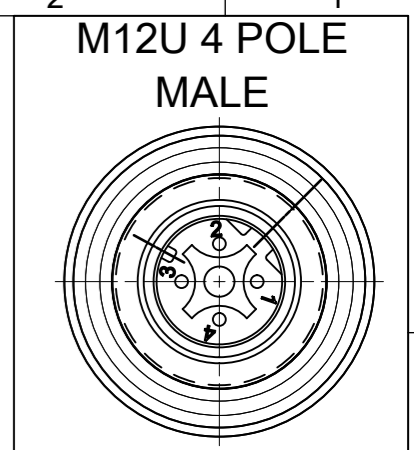
HEADS STYLE:
062=MALE STR / MALE RA

UNITS:
M = METER
T=10x METER

LENGTH EXAMPLES:
005=0.5m
010=1m
150=15m

WIRING TYPE:
A=4 Pole STRAIGHT WIRED

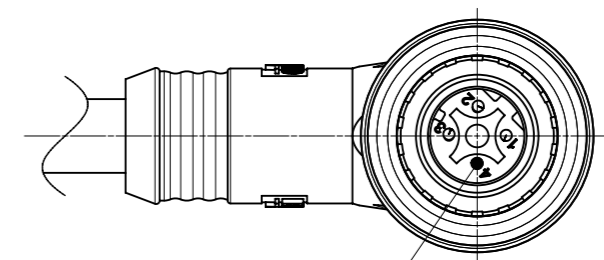
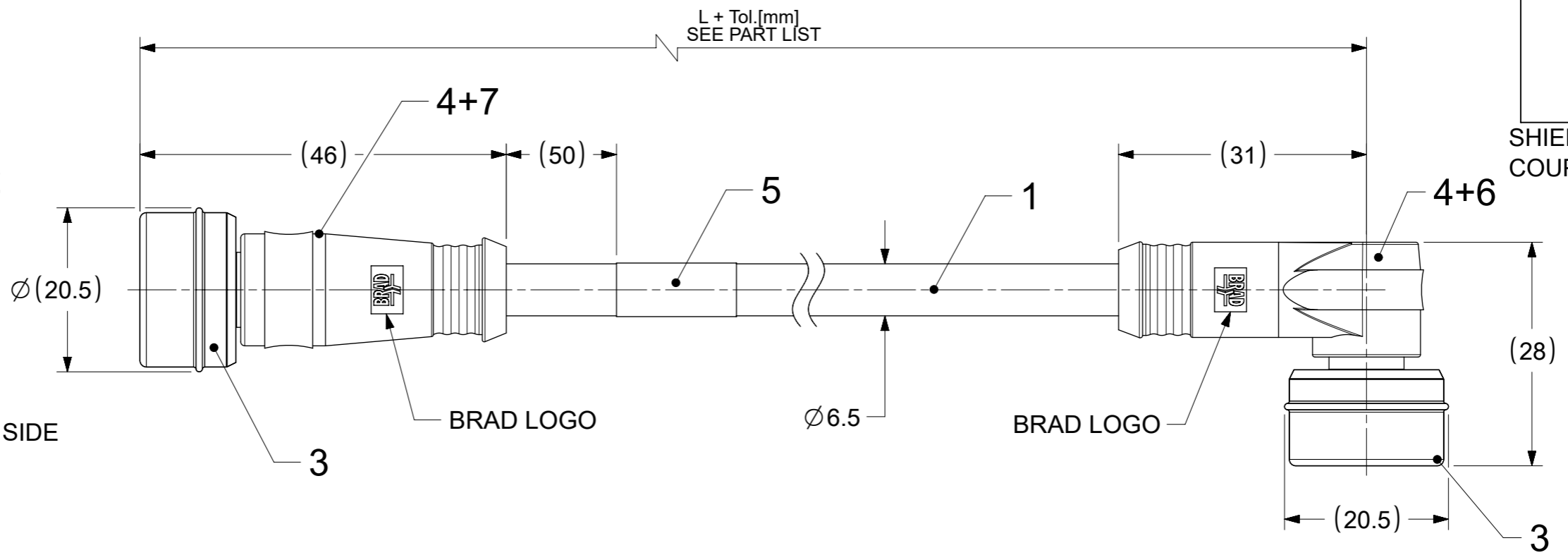
CABLE TYPE



VIEW FROM THE FRONT SIDE

PIN	WIRE COLOR
1	YE
2	WH
3	OR
4	BU

SHIELD CONNECTED TO COUPLING NUTS



VIEW FROM THE FRONT SIDE

PART LIST

MOLEX PN	ENGINEERING No	L+Tol. [mm]
1201080097	EWWA06210M006	600+45
1201080098	EWWA06210M010	1000 +56
1201080099	EWWA06210M020	2000 +89
1201080100	EWWA06210M050	5000+165
1201080101	EWWA06210M100	10000+317
1201080151	EWWA06210M030	3000+89

BOM

ITEM	QTY.	DESCRIPTION	MATERIAL	FINISH/COLOR
7	1	LEEVE SHIELD	BRASS	Ni-PLATED
6	1	SHIELD CLOSURE CAP-90	BRASS	Ni-PLATED
5	1	LABEL	VINYL	YELLOW
4	-	MOULDING MATERIAL	TPU	BLACK
3	2	ULTRALOCK MALE ASSEMBLY	-	-
2	8	CONTACT MALE	BRASS	Au OVER Ni
1	-	ETHERNET CABLE-CAT5eES	PUR	GREEN

NOTES :

ACC. TO CAT5e ETHERNET STD.
 MAX. VOLTAGE : 30V
 MAX. CURRENT : 1.5A
 IP RATING : IP67
 TEMPERATURE RANGE : -20°C TO +75°C

FUNCTIONAL SYMBOLS $\nabla_A = 0$ $\nabla_E = 0$ $\nabla_V = 0$	THIS DRAWING CONTAINS INFORMATION THAT IS PROPRIETARY TO MOLEX ELECTRONIC TECHNOLOGIES, LLC AND SHOULD NOT BE USED WITHOUT WRITTEN PERMISSION DIMENSION UNITS: mm SCALE: 3:2 GENERAL TOLERANCES (UNLESS SPECIFIED) ANGULAR TOL ± 1.0° 4 PLACES ± 3 PLACES ± 2 PLACES ± 0.05 1 PLACE ± 0.3 0 PLACES ± 0.5 DRAFT WHERE APPLICABLE MUST REMAIN WITHIN DIMENSIONS	CURRENT REV DESC: EC NO: 703538 DRWN: SSM CHK'D: RSILLER APPR: RSILLER INITIAL REVISION: DRWN: SSM APPR: RSILLER		PRODUCT CUSTOMER DRAWING DOCUMENT NUMBER: 1201080097 DOC TYPE: PSD DOC PART: 000 REVISION: A	MIC 4P M/MP ULLOCK ST/90 XM MATERIAL NUMBER: SEE PART LIST CUSTOMER: GENERAL MARKET SHEET NUMBER: 1 OF 1
--	---	---	--	--	---

6

5

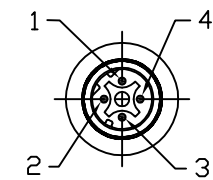
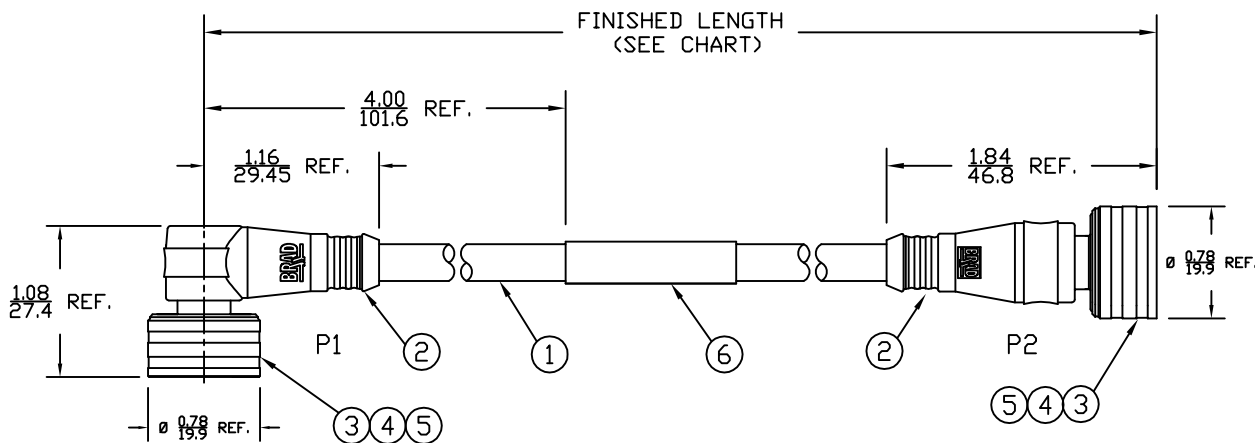
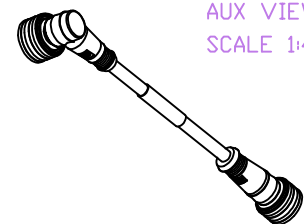
4

3

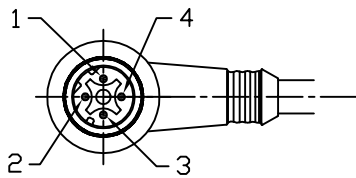
2

1

PART NUMBER	ENGINEERING NO.	LENGTH ± TOLERANCE
1201080098	EWWA06210M010	3' 3" +2.19'/-0' [1M +55.6/-0 mm]
1201080100	EWWA06210M050	16' 4" +6.5'/-0' [5M +165.0/-0 mm]



MALE- FACE VIEW



MALE- FACE VIEW

P1		P2
1	YELLOW	1
2	WHITE	2
3	ORANGE	3
4	BLUE	4

WIRING DIAGRAM

NOTES:

- 1) MATERIAL: SEE TABLE
- 2) FINISHES: SEE TABLE
- 3) CABLE: #22/4 SHIELDED PUR
- 4) ELECTRICAL DATA:
ACCORDING TO CAT5e ETHERNET STANDARD
MAX. VOLTAGE: 30V
MAX. CURRENT 1.5A
- 5) ENVIRONMENTAL:
PROTECTION IP67
TEMPERATURE RANGE: -20°C TO 75°C
- 6) WRAP LABEL IS MARKED WITH P/N, DATE CODE,
VOLTAGE & AMPERAGE.
- 7) ASSEMBLY IS RoHS COMPLIANT.

ITEM	QTY.	DESCRIPTION	MATERIAL	FINISH
6	1	LABEL	PLASTIC FILM	BLACK/YELLOW
5	2	INSERT	PUR	BLACK
4	8	PIN CONTACT	COPPER ALLOY	GOLD PLATED
3	2	M12 ULTRA-LOCK HEAD ASSY	BRASS	NICKEL
2	2	OVERMOLD	PUR	BLACK
1	1	ETHERNET CABLE-CAT5E	PUR JACKET	TEAL

SD RELEASE EC NO: MEL2010-0005 7/9/09 DRWN: VOU CHKD: BWOODMAN APPR: JFMURPHY 2009/07/20	QUALITY SYMBOLS ▽=0 ▽/0	GENERAL TOLERANCES (UNLESS SPECIFIED)		DIMENSION STYLE	SCALE	DESIGN UNITS	THIRD ANGLE PROJECTION	
				IN/MM	3:4	INCH		
				DRAWN BY	DATE	TITLE		
				VOU	2009/07/07	M12 ULTRALOCK CABLE ASSY 4P M/MP ST/90 D-CODE #22/4 SHIELDED PUR		
		DRAFT WHERE APPLICABLE MUST REMAIN WITHIN DIMENSIONS		CHECKED BY	DATE	MOLEX INCORPORATED		
				BWOODMAN	2009/07/31	DOCUMENT NO. SD-120108-011		
				APPROVED BY	DATE	SHEET NO. 1 OF 1		
				---	---	THIS DRAWING CONTAINS INFORMATION THAT IS PROPRIETARY TO MOLEX INCORPORATED AND SHOULD NOT BE USED WITHOUT WRITTEN PERMISSION		

6

5

4

3

2

1

E

E

D

D

C

C

B

B

A

A