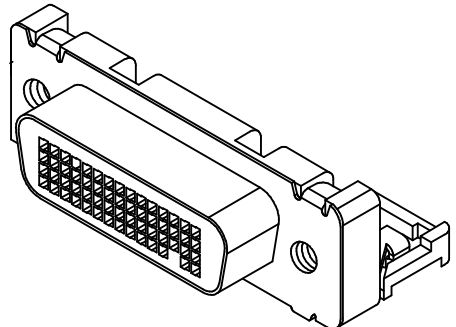
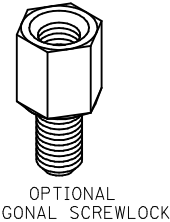
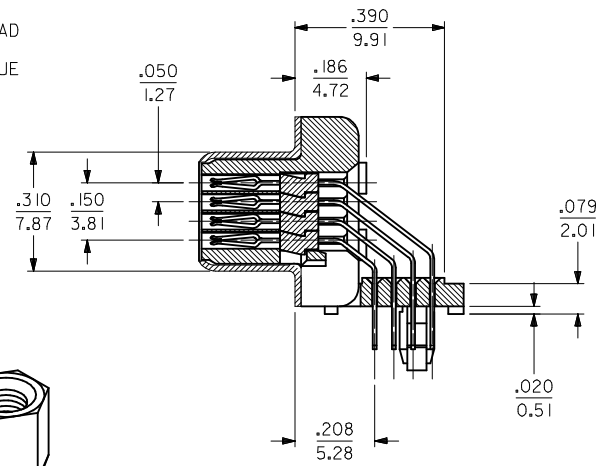
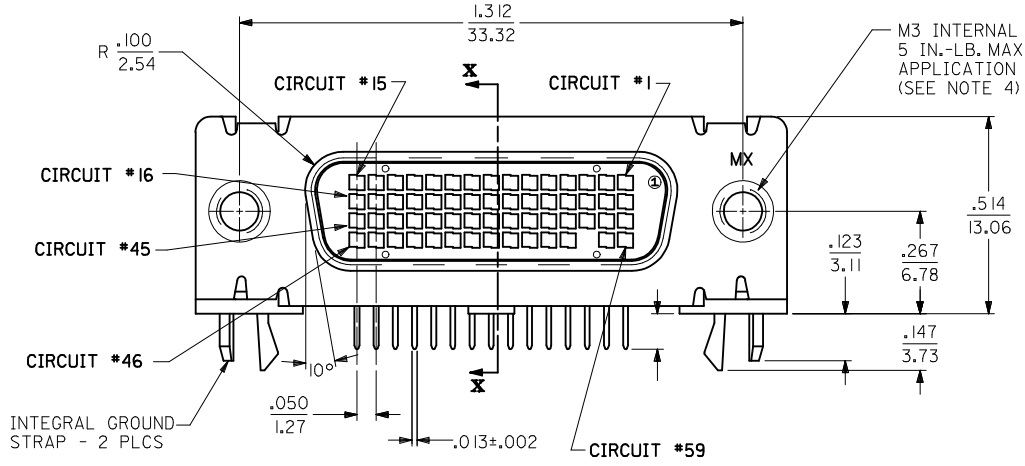
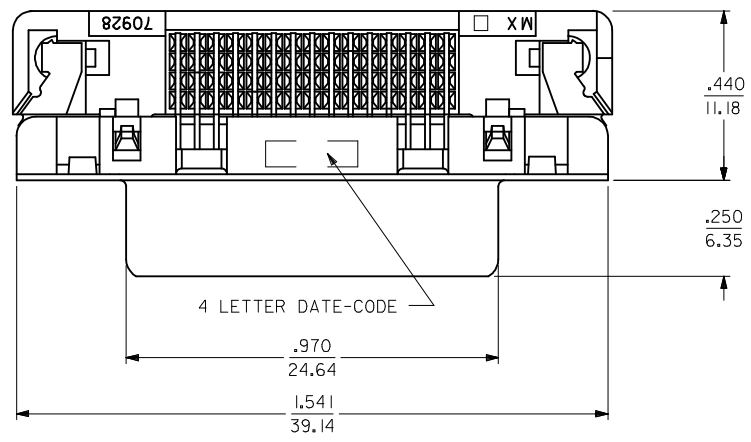


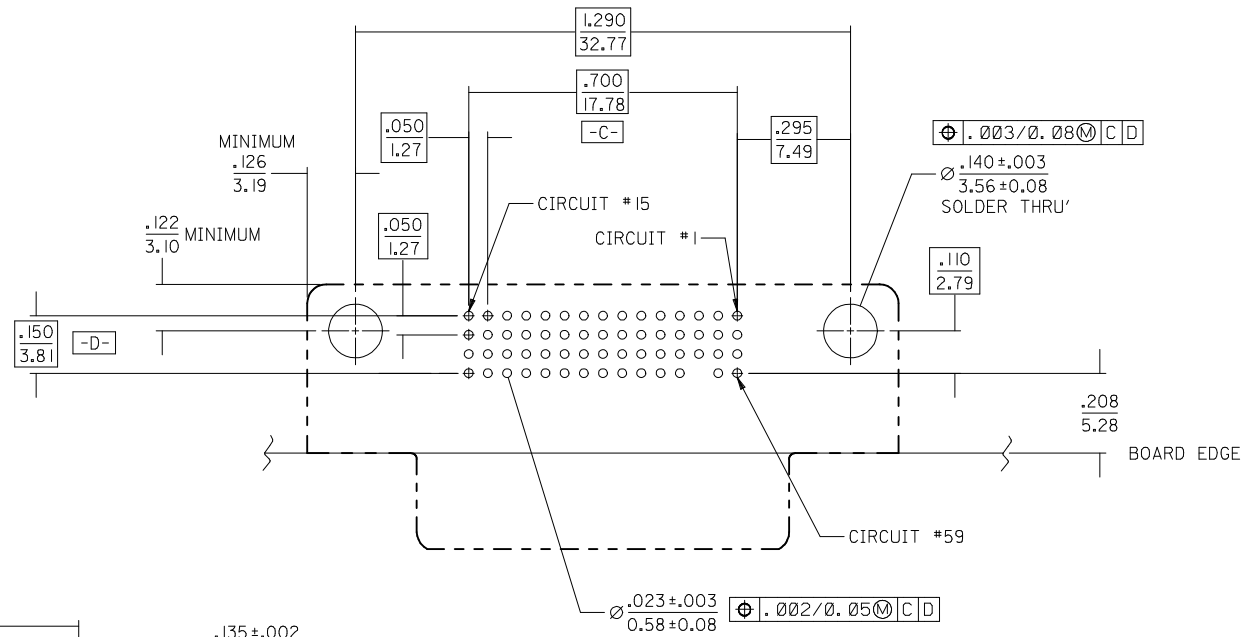
ITEM NUMBER	CONTACT PLATING	DIMENSION "A" $\pm 0.10$ $\pm 0.25$	HEXAGONAL SCREWLOCKS PACKAGED WITH CONNECTORS	SCREWLOCK ITEM NUMBER (SEE SD-70982-****)	PACKAGED PER PACKAGING SPECIFICATION
75134-1000	GOLD FLASH	.092 / 2.34	NO		PK-70873-0291
75134-1001	GOLD FLASH	.092 / 2.34	YES	70982-1003; 4-40 INTERNAL THD	PK-70873-0686
75134-2000	30 GOLD	.092 / 2.34	NO		PK-70873-0291
75134-2001	30 GOLD	.092 / 2.34	YES	70982-1003; 4-40 INTERNAL THD	PK-70873-0686

**NOTES:**

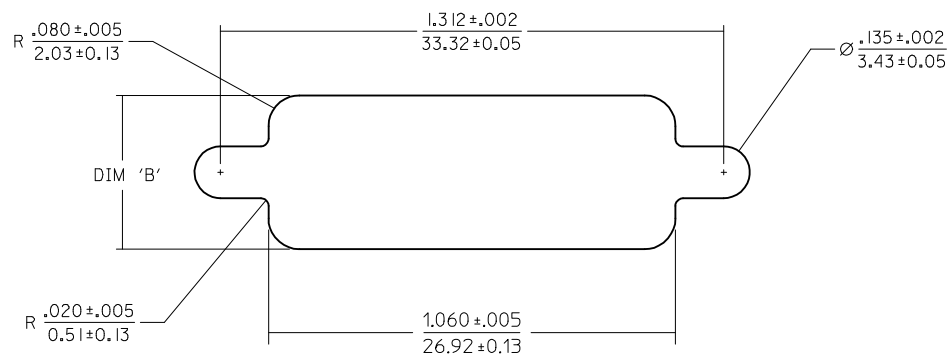
- 1) MATERIALS:  
 HOUSING: GLASS FILLED LCP (LIQUID CRYSTAL POLYMER), UL94 V-0, COLOR NATURAL.  
 STICK HOUSING: GLASS FILLED LCP (LIQUID CRYSTAL POLYMER), UL94 V-0, COLOR BLACK.  
 TERMINALS: COPPER ALLOY.  
 OUTER SHELL: DEEP DRAWN STEEL.  
 HEXAGONAL SCREWLOCK: STEEL.
- 2) PLATING :  
TERMINAL: GOLD FLASH: SELECTIVE GOLD (Au) FLASH IN CONTACT AREA: THICKNESS= 2 TO 10 MICROINCHES/0.05 TO 0.25 MICROMETERS, SELECTIVE TIN (Sn) ALLOY IN THE PC TAIL AREA: THICKNESS= 100 MICROINCHES/2.54 MICROMETERS MINIMUM, NICKEL (Ni) UNDERPLATE OVER ENTIRE PIN.  
 30 GOLD: SELECTIVE GOLD (Au) IN CONTACT AREA: THICKNESS= 30 MICROINCHES/0.76 MICROMETERS MINIMUM, SELECTIVE TIN (Sn) ALLOY IN THE PC TAIL AREA: THICKNESS= 100 MICROINCHES/2.54 MICROMETERS MINIMUM, NICKEL (Ni) UNDERPLATE OVER ENTIRE PIN.
- OUTER SHELL: 150 MICROINCHES/3.81 MICROMETERS MINIMUM OF BRIGHT TIN OVER 50 MICROINCHES/1.27 MICROMETERS MINIMUM OF NICKEL OVER COPPER FLASH (OPTIONAL).
- 3) CONFORMS TO PRODUCT SPECIFICATION PS-75134-001.  
 4) THREAD GAGE MAY REQUIRE UP TO 1 INCH-POUND/0.113 NEWTON-METER OF TORQUE DURING GAGING PROCESS.  
 5) SEE TABLE FOR PACKAGING.  
 6) PART COMPLIES WITH CLASS B OF COSMETIC SPECIFICATION PS-45499-002



ADD 30 GOLD OPTS EC NO: UCP2014-4242 DRW:DMORGAN 2014/04/11 CHK:DMORFF 2014/04/14 APPR:SMILLER 2014/04/18	QUALITY SYMBOLS ▽=0 ▽=0 ▽=0	GENERAL TOLERANCES (UNLESS SPECIFIED)		DIMENSION STYLE IN/MM		SCALE 4:1	DESIGN UNITS INCH	THIRD ANGLE PROJECTION		
		mm	INCH	DRAWN BY	DATE	TITLE	SALES DMS-59 RECEPTACLE LFH .050/1.27 PITCH RIGHT ANGLE I/O 59 CKT <b>molex</b>			
		4 PLACES	± ---	± ---	DMORGAN	2002/10/18			DOCUMENT NO. SD-75134-001	
		3 PLACES	± ---	± .010	CHECKED BY	DATE			SHEET NO. 1 OF 2	
		2 PLACES	± 0.25	± .015	BBARKER	2002/10/18			THIS DRAWING CONTAINS INFORMATION THAT IS PROPRIETARY TO MOLEX INCORPORATED AND SHOULD NOT BE USED WITHOUT WRITTEN PERMISSION	
		1 PLACE	± 0.38	± ---	APPROVED BY	DATE				
		0 PLACE	± ---	± ---	SMILLER	2002/10/18				
		ANGULAR ±1/2°		SEE TABLE						
DRAFT WHERE APPLICABLE MUST REMAIN WITHIN DIMENSIONS										



COMPONENT SIDE  
RECOMMENDED P.C.B. LAYOUT



RECOMMENDED PANEL CUT-OUT

DIMENSION 'B'	MAXIMUM PANEL THICKNESS
.400±.005/10.16±0.13	.039/0.99
.420±.005/10.67±0.13	.064/1.63

SEE SHEET 1 EC NO: UCP2014-4242 DRAWN BY: DMORGAN 2014/04/11 CHECKED BY: CHKD:MPOFF 2014/04/14 APPR: SMILLER 2014/04/18 REV:	QUALITY SYMBOLS	GENERAL TOLERANCES (UNLESS SPECIFIED)	DIMENSION STYLE IN/MM	SCALE 4:1	DESIGN UNITS INCH	THIRD ANGLE PROJECTION	
	▽=0	mm INCH	DRAWN BY DATE				
	▽=0	4 PLACES ± --- ± ---	DMORGAN 2002/10/18	TITLE			
	▽=0	3 PLACES ± --- ± .010	CHECKED BY DATE	SALES DMS-59 RECEPTACLE			
		2 PLACES ± 0.25 ± .015	BBARKER 2002/10/18	LFH .050/1.27 PITCH			
	1 PLACE ± 0.38 ± ---	APPROVED BY DATE	RIGHT ANGLE I/O 59 CKT				
	0 PLACE ± --- ± ---	SMILLER 2002/10/18					
	ANGULAR ±1/2°	MATERIAL NO.	SEE TABLE		DOCUMENT NO.	SHEET NO.	
	DRAFT WHERE APPLICABLE MUST REMAIN WITHIN DIMENSIONS				SD-75134-001	2 OF 2	
			THIS DRAWING CONTAINS INFORMATION THAT IS PROPRIETARY TO MOLEX INCORPORATED AND SHOULD NOT BE USED WITHOUT WRITTEN PERMISSION				