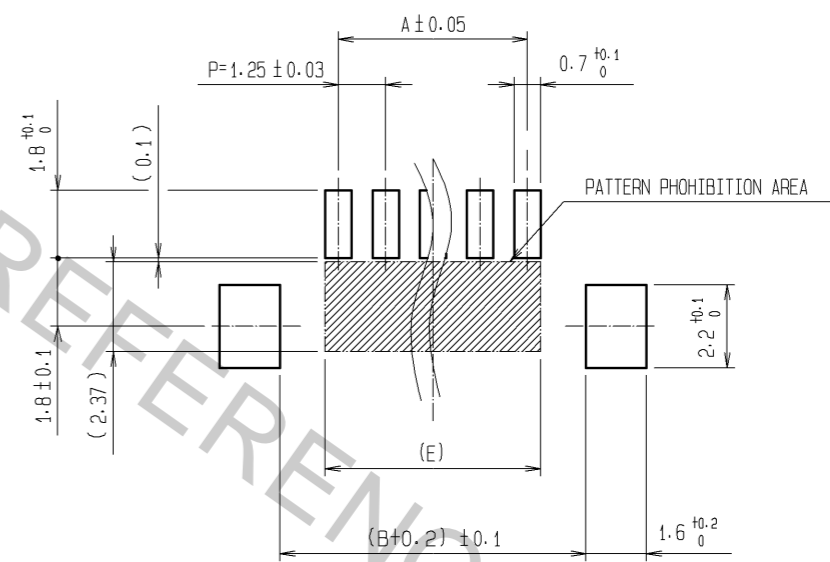


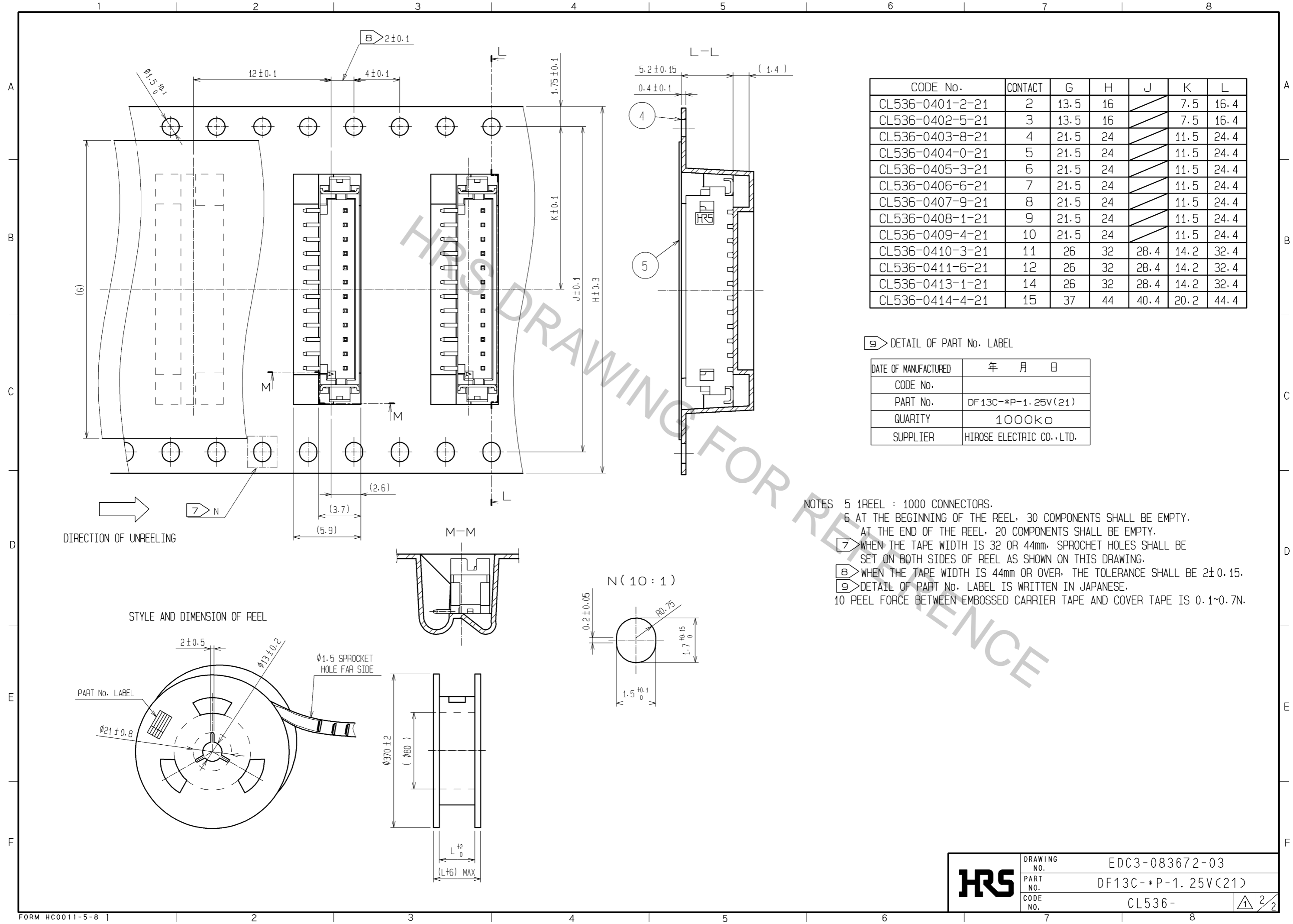
CODE No.	CONTACT	A	B	C	D	E	F
CL536-0401-2-21	2	1.25	4.15	7.15	5.65	1.95	2.2
CL536-0402-5-21	3	2.5	5.4	8.4	6.9	3.2	3.45
CL536-0403-8-21	4	3.75	6.65	9.65	8.15	4.45	3.1
CL536-0404-0-21	5	5.0	7.9	10.9	9.4	5.7	4.35
CL536-0405-3-21	6	6.25	9.15	12.15	10.65	6.95	5.6
CL536-0406-6-21	7	7.5	10.4	13.4	11.9	8.2	6.85
CL536-0407-9-21	8	8.75	11.65	14.65	13.15	9.45	8.1
CL536-0408-1-21	9	10.0	12.9	15.9	14.4	10.7	9.35
CL536-0409-4-21	10	11.25	14.15	17.15	15.65	11.95	10.6
CL536-0410-3-21	11	12.5	15.4	18.4	16.9	13.2	11.85
CL536-0411-6-21	12	13.75	16.65	19.65	18.15	14.45	13.1
CL536-0413-1-21	14	16.25	19.15	22.15	20.65	16.95	15.6
CL536-0414-4-21	15	17.5	20.4	23.4	21.9	18.2	16.85

RECOMMENDED PATTERN



- NOTES
- 1 WHEN THIS CONNECTOR MATES WITH DF13-\*S-1.25C, THE MATING LENGTH IS 5.8mm.
  - 2 WHEN THIS CONNECTOR HAS TWO OR THREE CONTACTS, THE LOCK SHALL BE SET AT THE CENTER OF HOUSING. IF MORE THAN FOUR, THE TWO LOCKS SHALL BE SET AS SHOWN ON THIS DRAWING.
  - 3 LEAD CO-PLANARITY INCLUDING REINFORCED METAL FITTINGS SHALL BE WITHIN 0.1mm.
  - 4 AREA TO PICK AND PLACE.

3	PHOSPHOR BRONZE	SURFACE: TIN PLATED 1μm min.	5	POLYESTER	COVER TAPE·CLEAR
2	BRASS	SURFACE: TIN PLATED 1μm min.	4	PS	EMBOSSED CARRIER TAPE·CLEAR
1	POLYAMIDE	UL94V-0·(BEIGE)			
NO.	MATERIAL	FINISH . REMARKS	NO.	MATERIAL	FINISH . REMARKS
UNITS	mm	SCALE	5 : 1	COUNT	8
DESCRIPTION OF REVISIONS			DESIGNED	TS. KUMAZAWA	CHECKED
DIS-H-005399			DATE	10.12.14	
APPROVED : TY. OMA			05.10.31	DRAWING NO. EDC3-083672-03	
CHECKED : HK. UMEHARA			05.10.31	PART NO. DF13C-*P-1.25V(21)	
DESIGNED : TS. KUMAZAWA			05.10.31	CODE NO. CL536-	
DRAWN : AK. MIURA			05.10.27		



CODE No.	CONTACT	G	H	J	K	L
CL536-0401-2-21	2	13.5	16	/	7.5	16.4
CL536-0402-5-21	3	13.5	16	/	7.5	16.4
CL536-0403-8-21	4	21.5	24	/	11.5	24.4
CL536-0404-0-21	5	21.5	24	/	11.5	24.4
CL536-0405-3-21	6	21.5	24	/	11.5	24.4
CL536-0406-6-21	7	21.5	24	/	11.5	24.4
CL536-0407-9-21	8	21.5	24	/	11.5	24.4
CL536-0408-1-21	9	21.5	24	/	11.5	24.4
CL536-0409-4-21	10	21.5	24	/	11.5	24.4
CL536-0410-3-21	11	26	32	28.4	14.2	32.4
CL536-0411-6-21	12	26	32	28.4	14.2	32.4
CL536-0413-1-21	14	26	32	28.4	14.2	32.4
CL536-0414-4-21	15	37	44	40.4	20.2	44.4

DETAIL OF PART No. LABEL

DATE OF MANUFACTURED	年 月 日
CODE No.	
PART No.	DF13C-*P-1.25V(21)
QUANTITY	1000K $\phi$
SUPPLIER	HIROSE ELECTRIC CO.,LTD.

- NOTES
- 5 1REEL : 1000 CONNECTORS.
  - 6 AT THE BEGINNING OF THE REEL, 30 COMPONENTS SHALL BE EMPTY. AT THE END OF THE REEL, 20 COMPONENTS SHALL BE EMPTY.
  - 7 WHEN THE TAPE WIDTH IS 32 OR 44mm, SPROCKET HOLES SHALL BE SET ON BOTH SIDES OF REEL AS SHOWN ON THIS DRAWING.
  - 8 WHEN THE TAPE WIDTH IS 44mm OR OVER, THE TOLERANCE SHALL BE 2±0.15.
  - 9 DETAIL OF PART No. LABEL IS WRITTEN IN JAPANESE.
  - 10 PEEL FORCE BETWEEN EMBOSSED CARRIER TAPE AND COVER TAPE IS 0.1~0.7N.

<b>HRS</b>	DRAWING NO.	EDC3-083672-03
	PART NO.	DF13C-*P-1.25V(21)
	CODE NO.	CL536-