

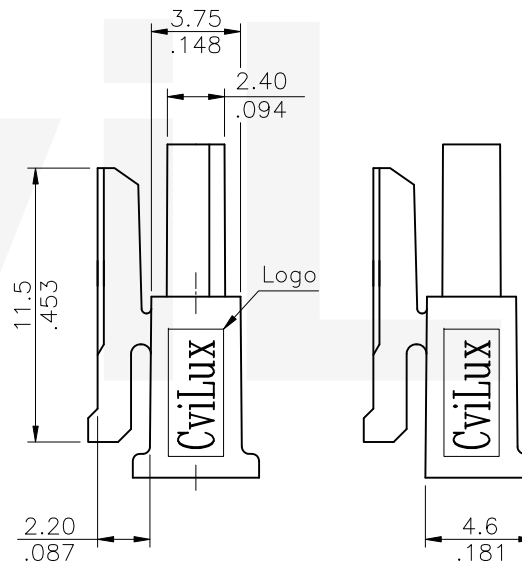
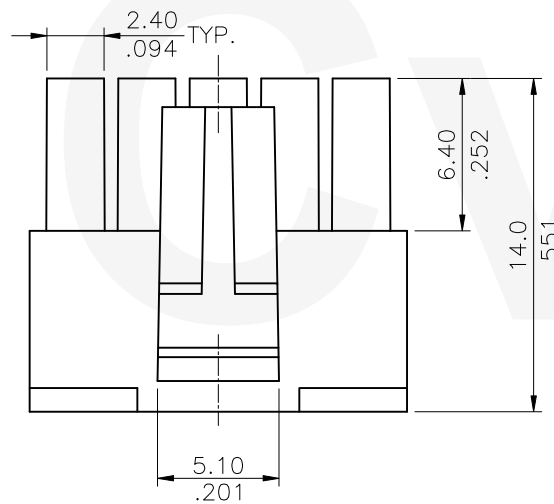
BACK VIEW

Material : Nylon66 UL 94V-0

Ordering Code:

CP35 \*\* S 001 S -NH  
 ① ② ③ ④ ⑤ ⑥

- ① Series No.
- ② Connector: 02 to 12
- ③ Contact type: S = Receptacle
- ④ Color: 001 = Color Black
- ⑤ Option: S= Single Row
- ⚠ ⑥ -NH= Halogen-Free



Other Circuits

2 Circuits

Circuits	Dimension	
	A	B
2	3.00(.118)	6.9(.272)
3	6.00(.236)	9.9(.390)
4	9.00(.354)	12.9(.508)
5	12.00(.472)	15.9(.626)
6	15.00(.591)	18.9(.744)
7	18.00(.709)	21.9(.862)
8	21.00(.827)	24.9(.980)
9	24.00(.945)	27.9(1.098)
10	27.00(1.063)	30.9(1.217)
11	30.00(1.181)	33.9(1.335)
12	33.00(1.299)	36.9(1.453)

Halogen-Free

RoHS Compliant

**CVILUX CORP**  
 2019.07.05  
 ISSUED

SYM	NAME	DATE	REVISIONS	APPROVED BY:	DATE	UNIT: mm / inch	TITLE: 3.00mm PITCH POWER CONNECTOR FEMALE HOUSING
④						TOLERANCE UNLESS OTHERWISE SPECIFIED	MATERIAL:
③							
②						.X ±0.30/.012 X' ± 1' .XX ±0.20/.008 X' ± .XXX ±0.10/.004 XX' ±	CUSTOMER: TCF0012
①	Sandy	6/11-19'	ECNT119143	CHECKED BY: Eisley	7/04-19'		
				APPROVED BY: Eisley	7/04-19'		



瀚荃股份有限公司  
 CviLux Corporation

DRAWING NO.	CP3512AB	PART NO.	CP35**S001S-NH
SCALE	3 / 1	SHEET	1 OF 1