

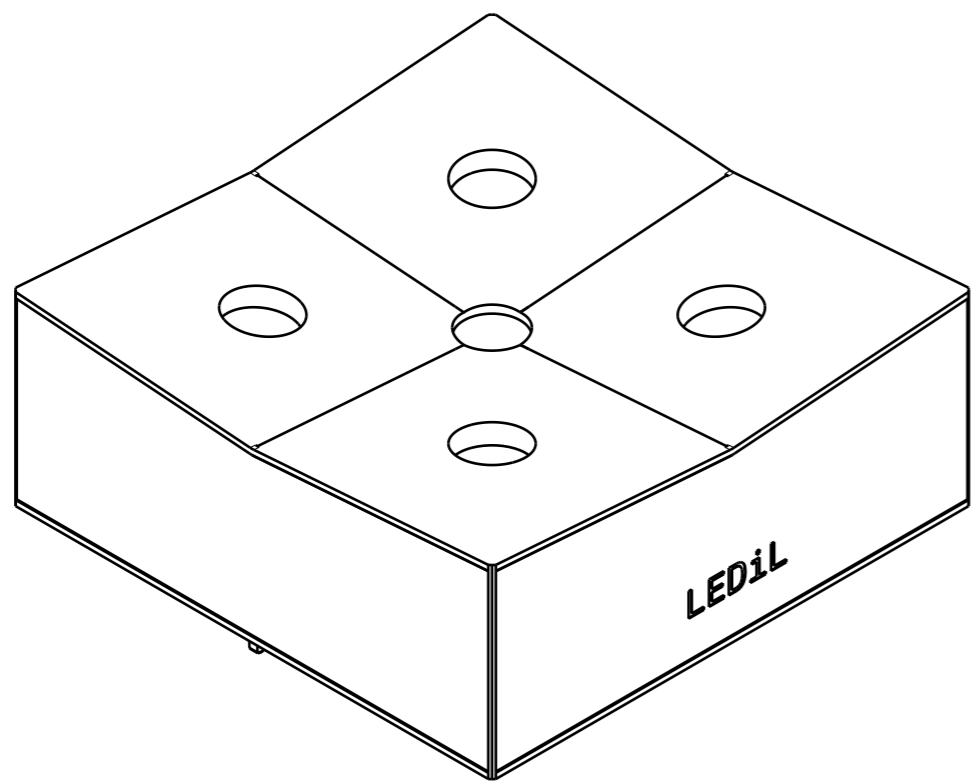
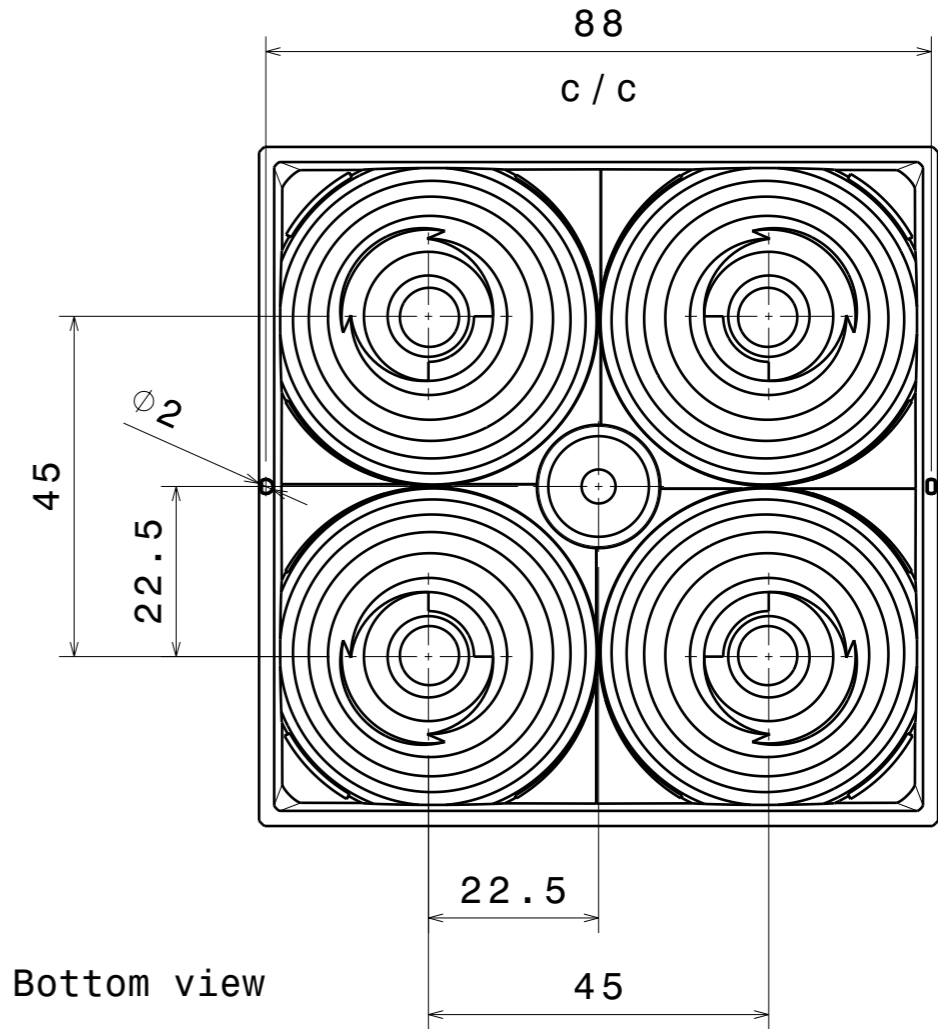
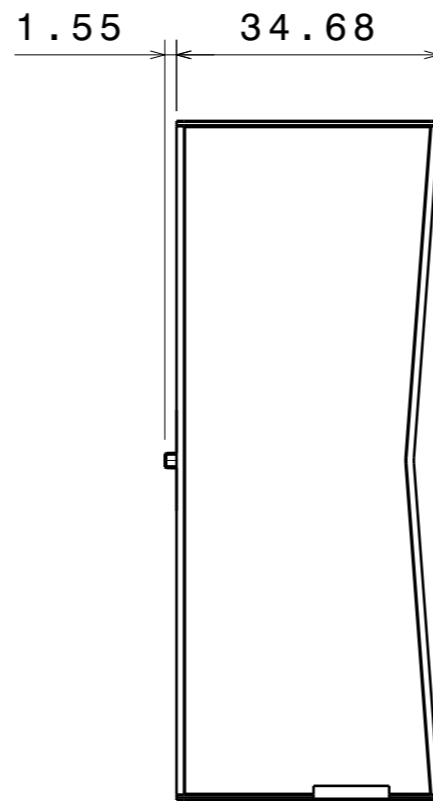
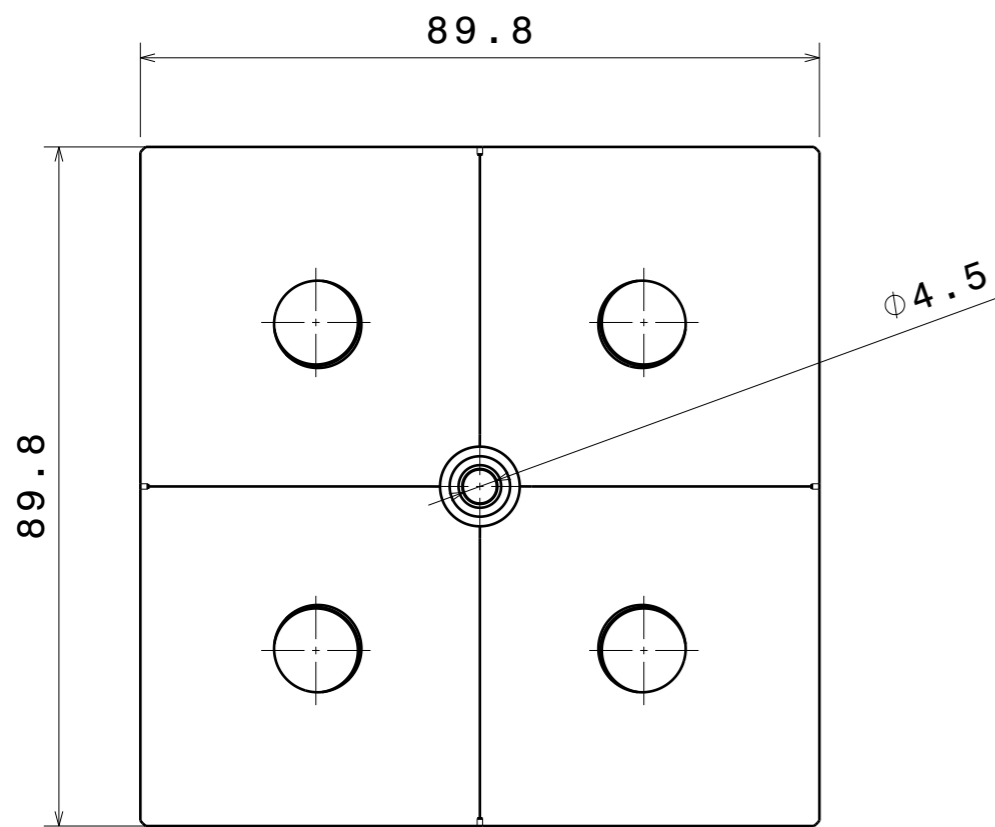
DETAILS

Product Number	C15013_LUCIA-D
Family	Lucia
Type	Lens
Color	clear
Diameter	89,8 mm
Height	34,68 mm
Style	square
Optic Material	PMMA
Holder Material	
Fastening	pin, screw
Status	production ready
ROHS Compliant	Yes
Date Updated	11/02/2016



OPTICAL PROPERTIES

LED	Viewing	Light	Effi-		Connector
	Angle	Beam	ciency	cd/lm	
XP-E2	sim: 7	Diffuser	sim: 96 %	sim: 41.668-	
XHP50	sim: 13	Diffuser	sim: 94 %	sim: 14.170-	
XHP70	sim: 18	Diffuser	sim: 91 %	sim: 8.220 -	
XP-G2	7 deg	Diffuser	88 %	37.500 -	
LUXEON M/MX	11 deg	Diffuser	94 %	19.900 -	
LUXEON MZ	sim: 10	Diffuser	sim: 95 %	sim: 23.730-	
LUXEON Z RGB	7 deg	Diffuser	88 %	38.200 -	
Duris P10	sim: 13	Diffuser	sim: 94 %	sim: 14.600-	
Duris S10	sim: 13	Diffuser	sim: 94 %	sim: 13.000-	



INDEX	PART NO	DESCRIPTION	MATERIAL	COLOUR
1	C15013	LUCIA-D	PMMA	

Tolerances if not otherwise shown
 According to DIN ISO 2768-1
 Linear measures:
 up to 30mm class M, otherwise class C
 According to DIN ISO 2768-2
 Form and position: class L



LediL Oy
 Salorankatu 10
 FIN 24240 SALO
 Finland

THIRD ANGLE PROJECTION:

DRAWING TITLE
C15013_LUCIA-D

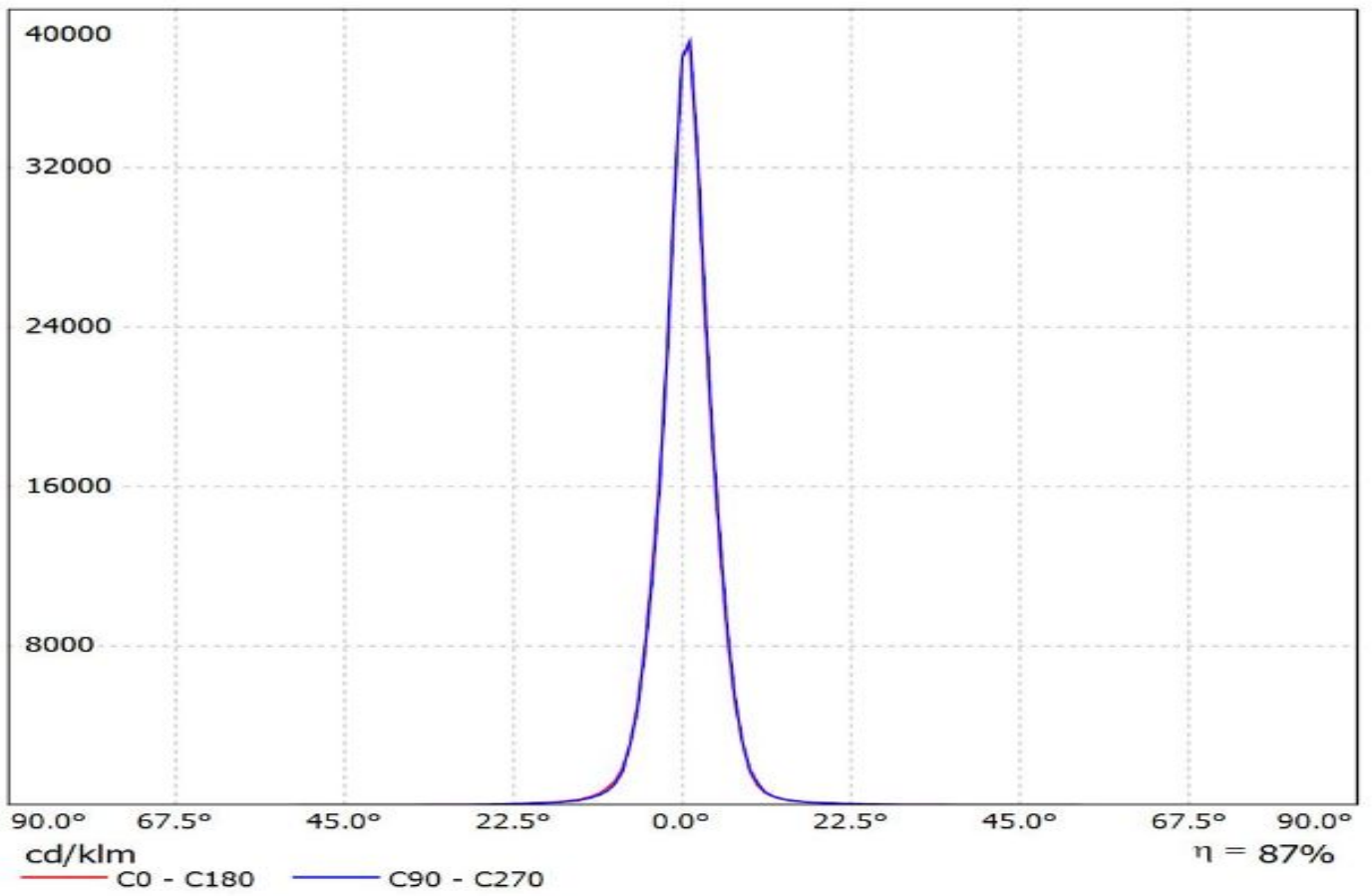
This drawing is the property of LEDiL Oy. It may not be reproduced, copied or communicated without a written agreement with LEDiL Oy.

SIZE	PART NUMBER	
A3	C15013	

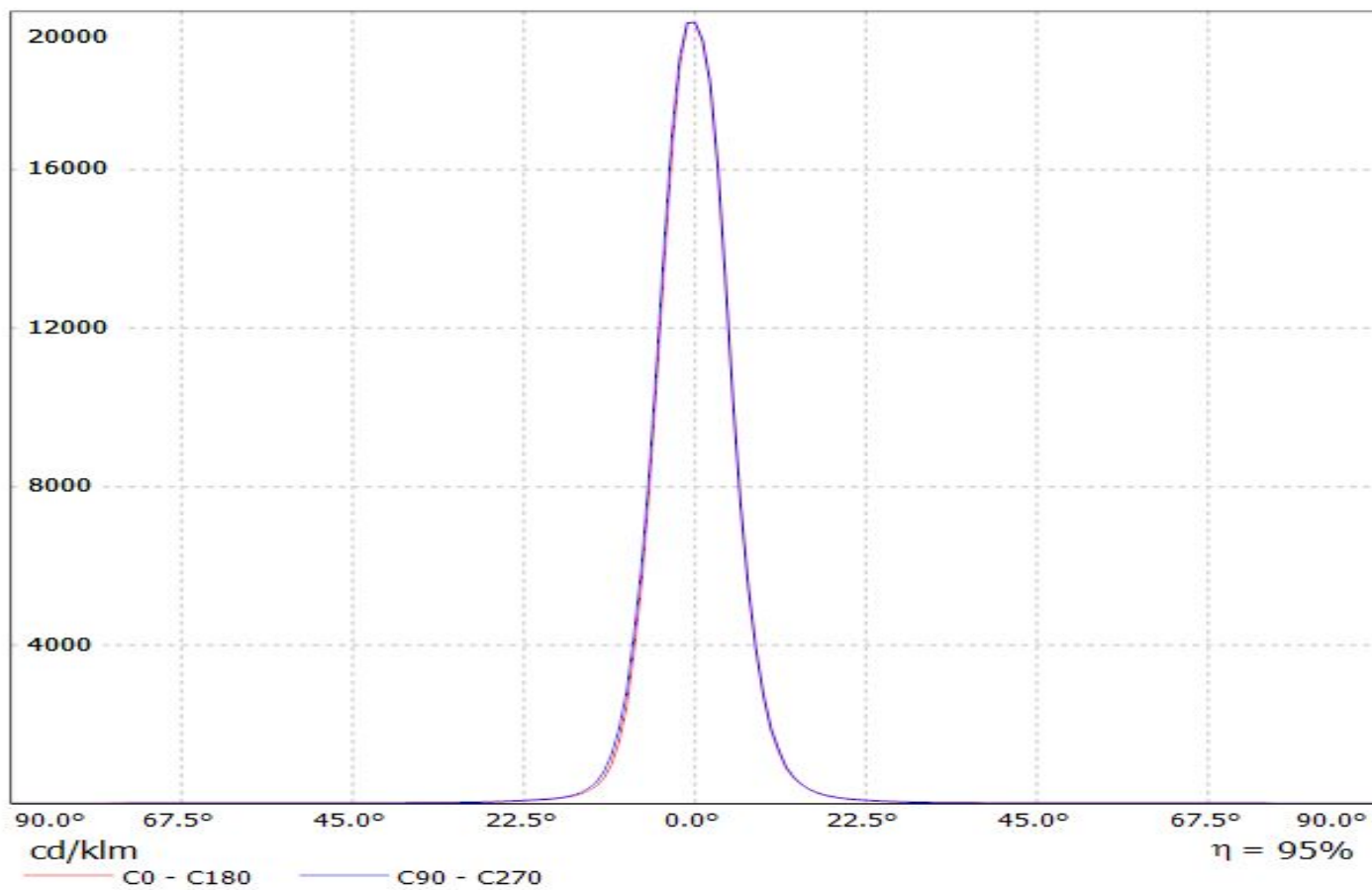
SCALE	1:1	WEIGHT	150,62 g	SHEET	1/1
-------	-----	--------	----------	-------	-----

Luminaire: Ledil C15013_LUCIA-D_(XP-G2)_C1

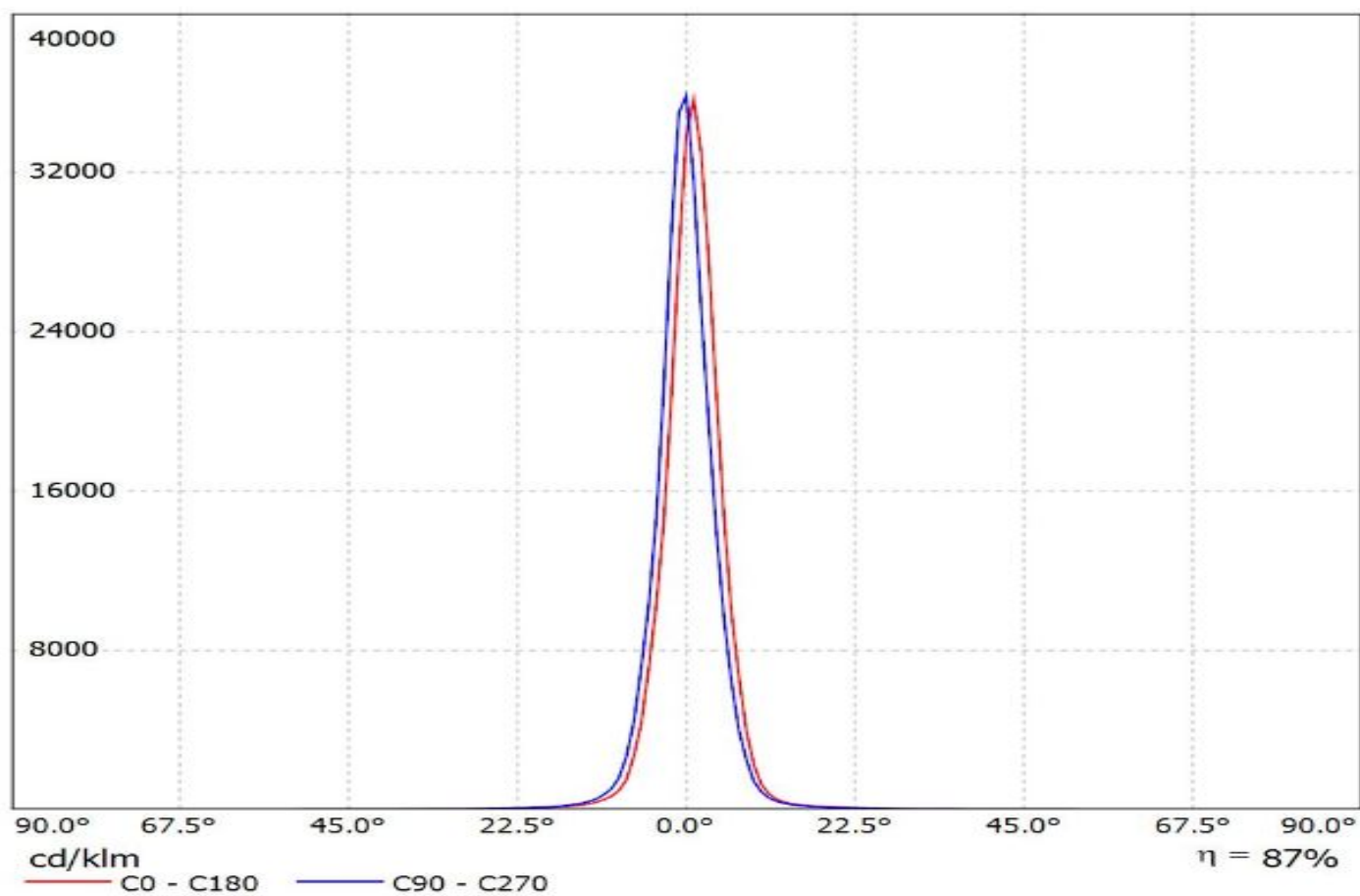
Lamps: 1 x Cree_XP-G2_322.515lm@250mA_P=3.0447W_I=0.25A



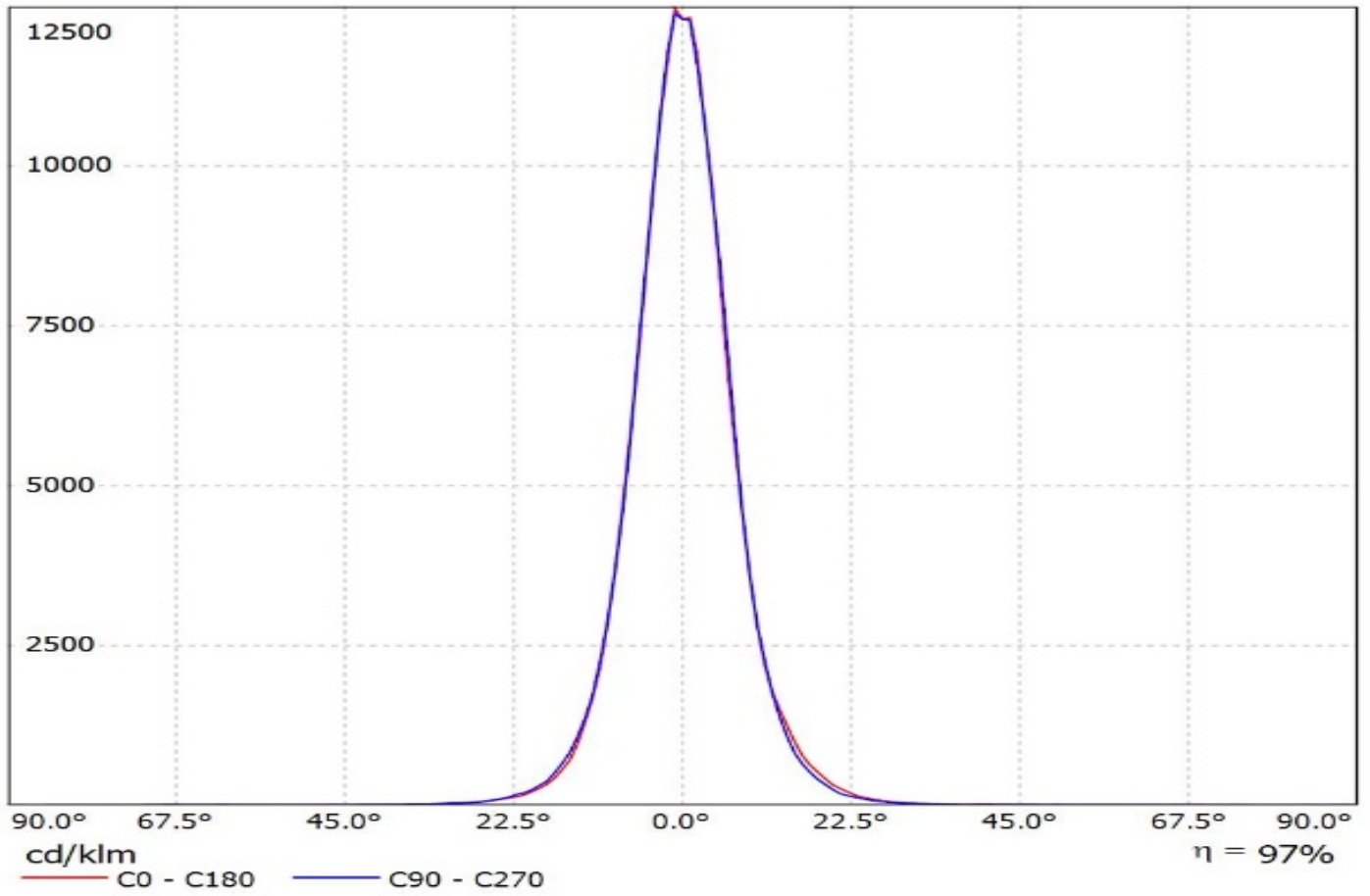
Luminaire: LEDiL Oy C15013_LUCIA-D_(Luxeon-M)_C1
Lamps: 1 x Luxeon_M_410.158lm@250mA_P=2.7308W_I=0.250A



Luminaire: Ledil C15013_LUCIA-D_(Luxeon_Z_RGBW)_C1
Lamps: 1 x Luxeon_Z_RGBW_166.13lm@250mA_P=2.63W_I=0.25A

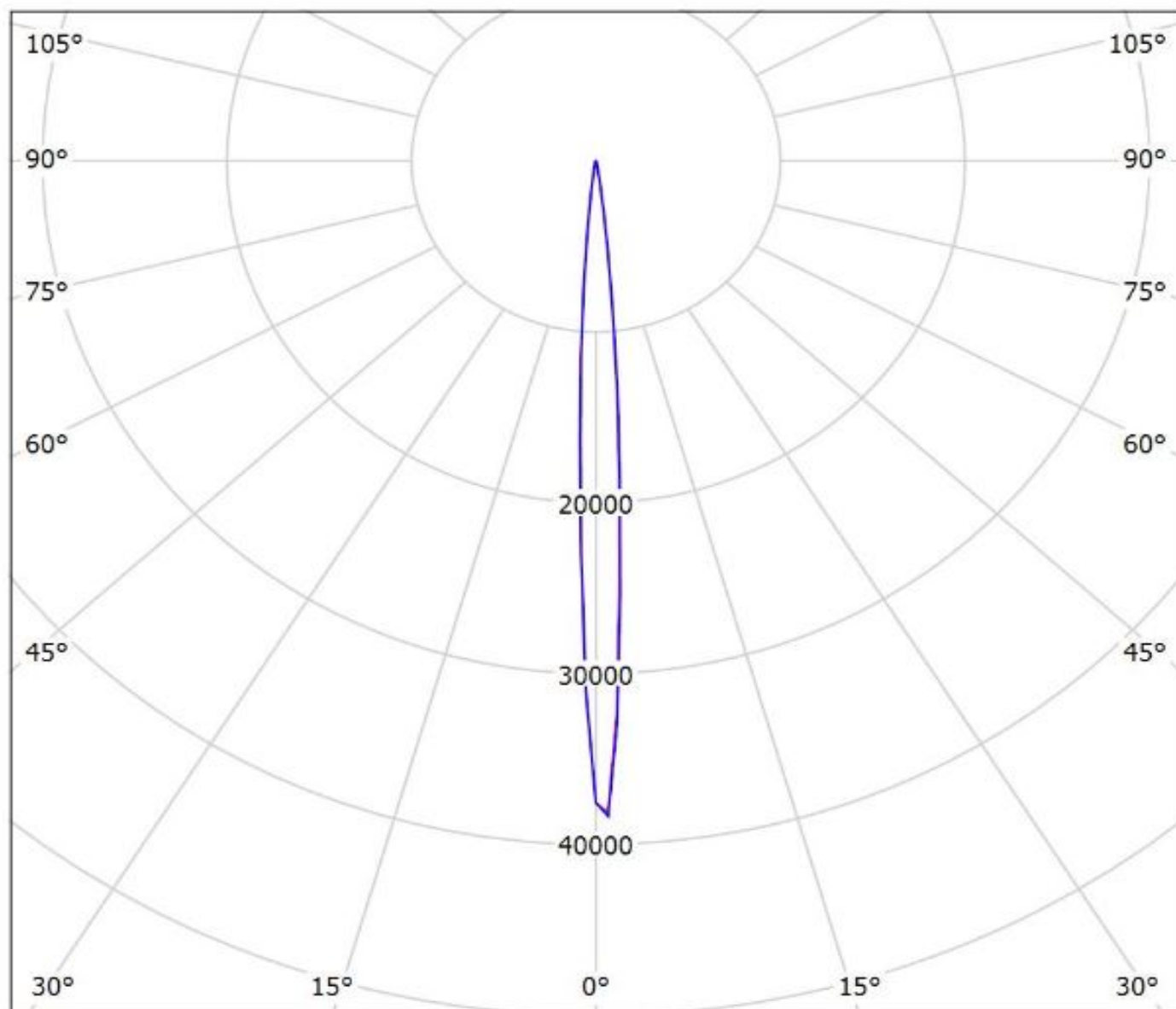


Luminaire: Ledil Oy C15013_LUCIA-D_(Duris_S10)_SIMULATED
Lamps: 1 x Osram Duris S10 (GW P7LM32.EM)



Luminaire: Ledil C15013_LUCIA-D_(XP-G2)_C1

Lamps: 1 x Cree_XP-G2_322.515lm@250mA_P=3.0447W_I=0.25A

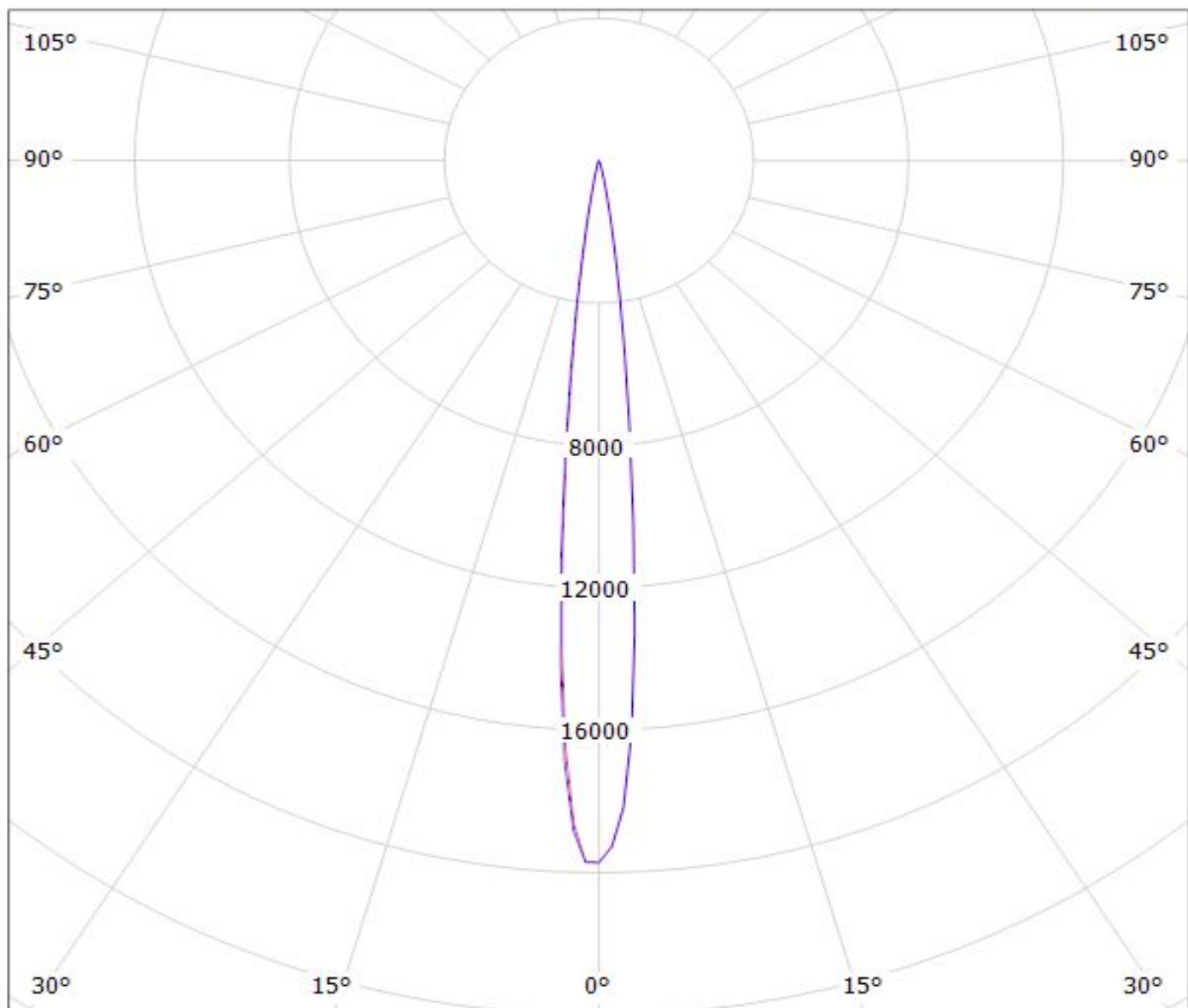


cd/klm

— C0 - C180 — C90 - C270

$\eta = 87\%$

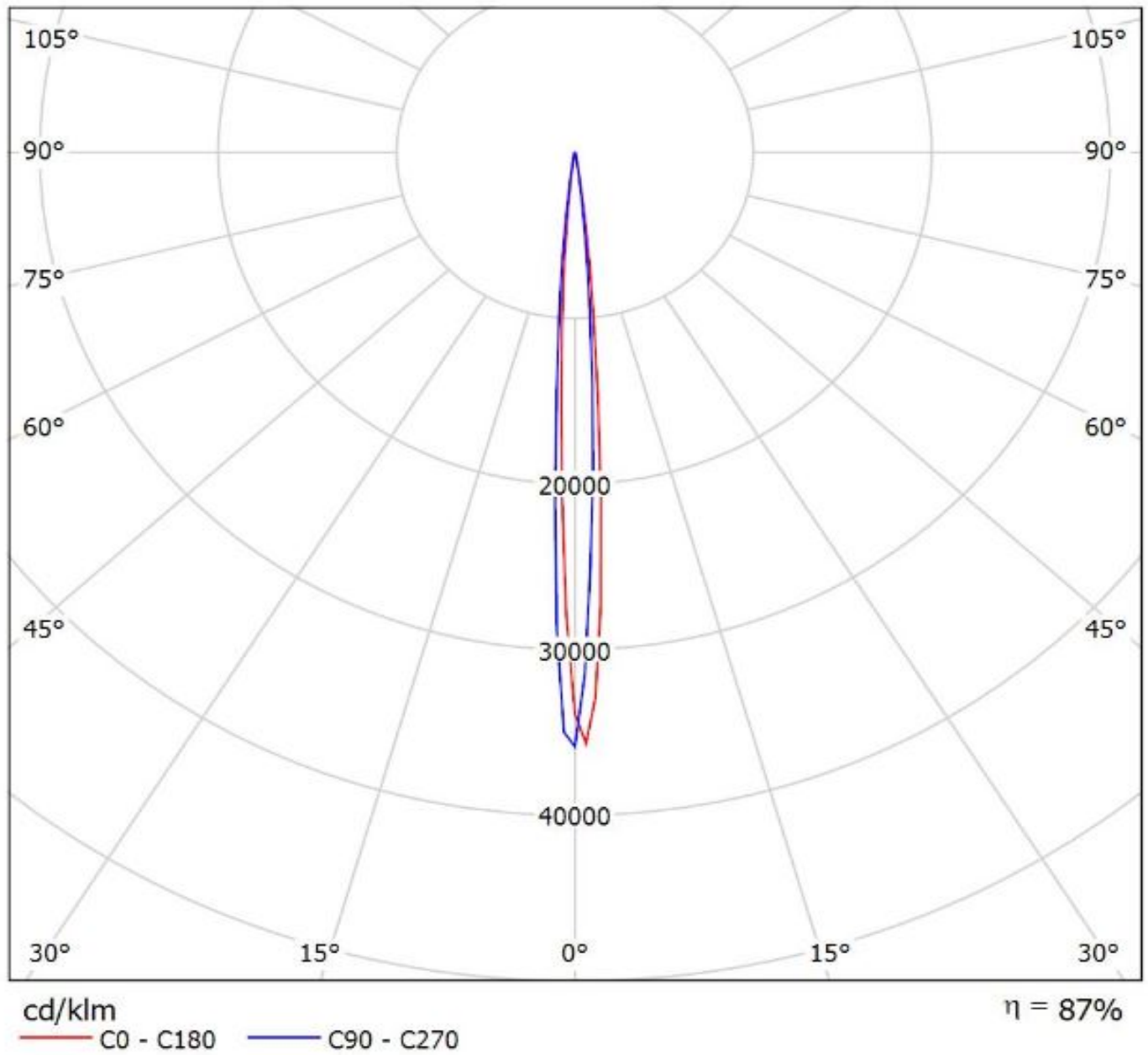
Luminaire: LEDiL Oy C15013_LUCIA-D_(Luxeon-M)_C1
Lamps: 1 x Luxeon_M_410.158lm@250mA_P=2.7308W_I=0.250A



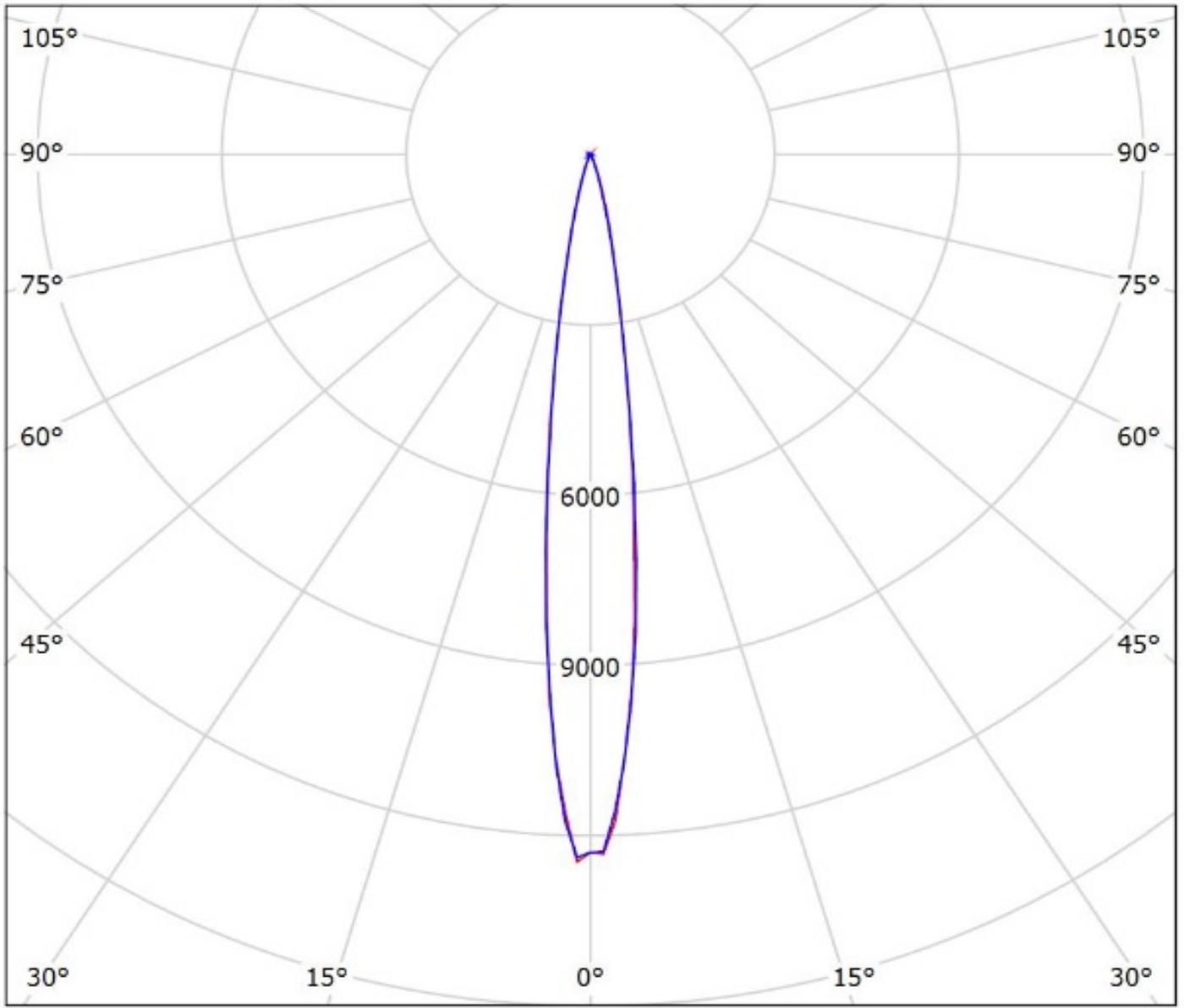
cd/klm
— C0 - C180 — C90 - C270

$\eta = 95\%$

Luminaire: Ledil C15013_LUCIA-D_(Luxeon_Z_RGBW)_C1
Lamps: 1 x Luxeon_Z_RGBW_166.13lm@250mA_P=2.63W_I=0.25A



Luminaire: Ledil Oy C15013_LUCIA-D_(Duris_S10)_SIMULATED
Lamps: 1 x Osram Duris S10 (GW P7LM32.EM)



cd/klm
— C0 - C180 — C90 - C270

$\eta = 97\%$

NOTE: The typical divergence will be changed by different color, chip size and chip position tolerance. The typical total divergence is the full angle measured where the luminous intensity is half of the peak value.