

1 2 3 4 5 6

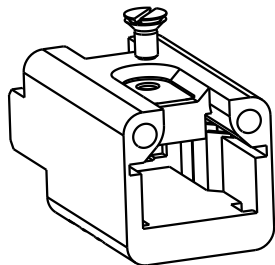
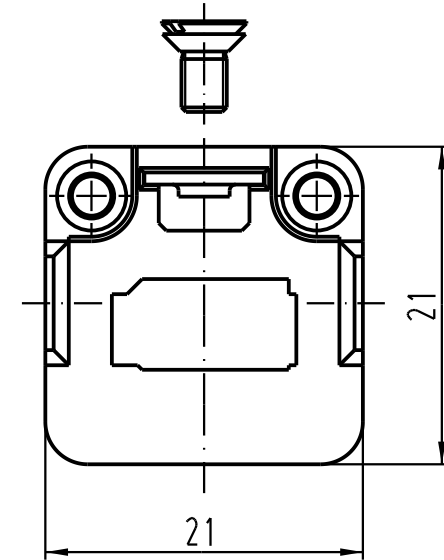
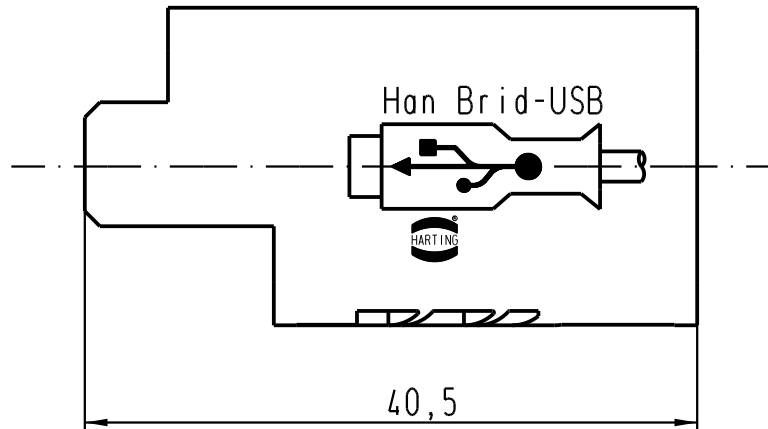
A

B

C

D

M3 Schraube lose mitgeliefert/
M3 screw separated enclosed



| | | | | | | | | |
|---|----------|------|--------------------------------|----------|------|--|--|---|
| All Dimensions in mm Original Size DIN A 4 | | | Techn. Character. | | | Nicht tolerierte Masse/ Free size tolerances | | |
| | | | | Dat. | Name | Massstab/Scale | | Han Brid-USB-M Patchkabel/ Han Brid-USB-M patchcable |
| | | | Detail. | 21.02.06 | ML | 2:1 | | |
| | | | Insp. | | Fer. | | | |
| | | | Stand. | | | | | |
| 412441 | 13.09.06 | Ho | HARTING Electric GmbH & Co. KG | | | TB 09 12 001 3091 | | Blatt/ page |
| 412051 | | | D-32339 Espelkamp | | | | | |
| Mod. | Dat. | Name | | | | Sub. | | |