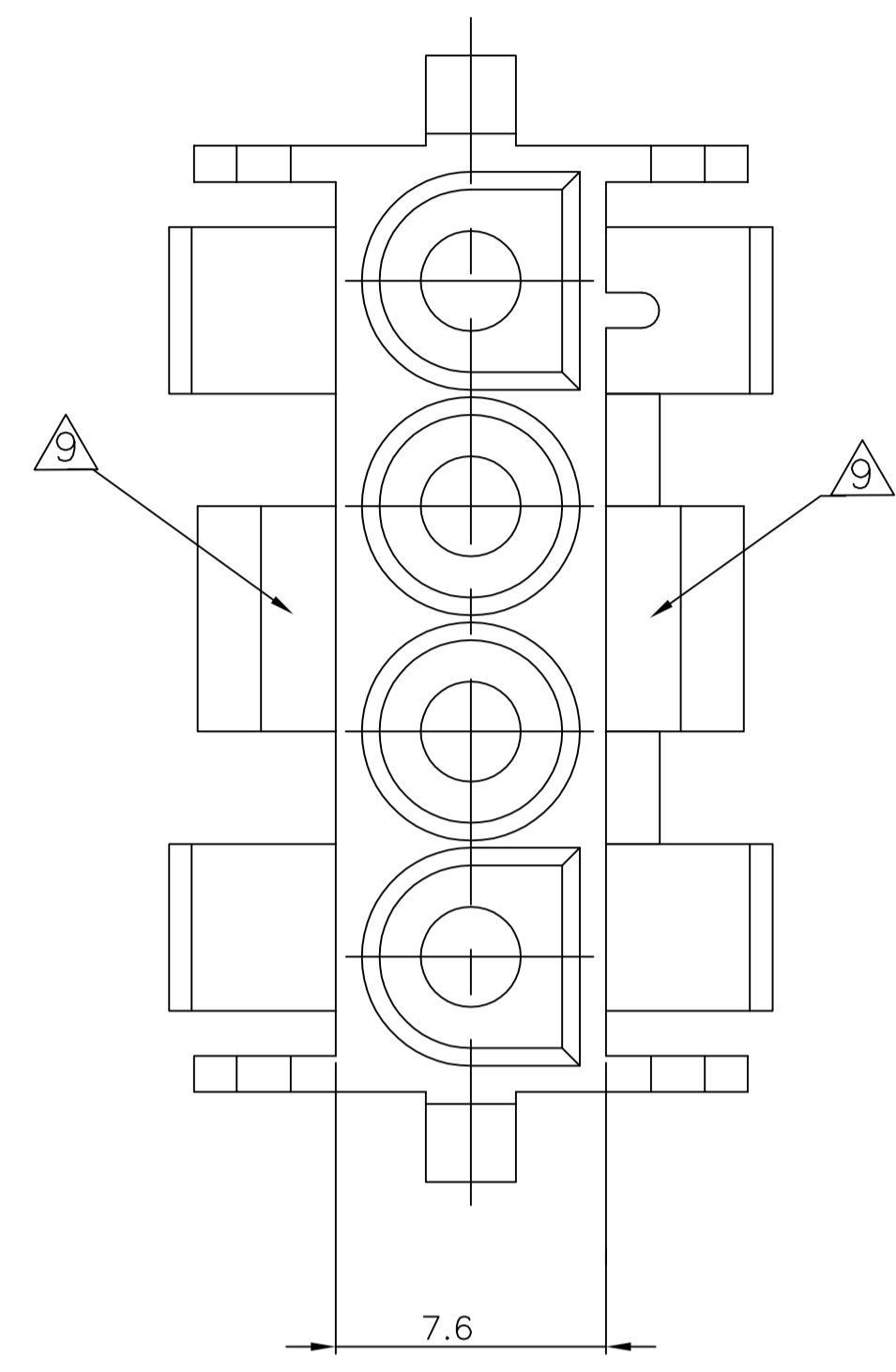
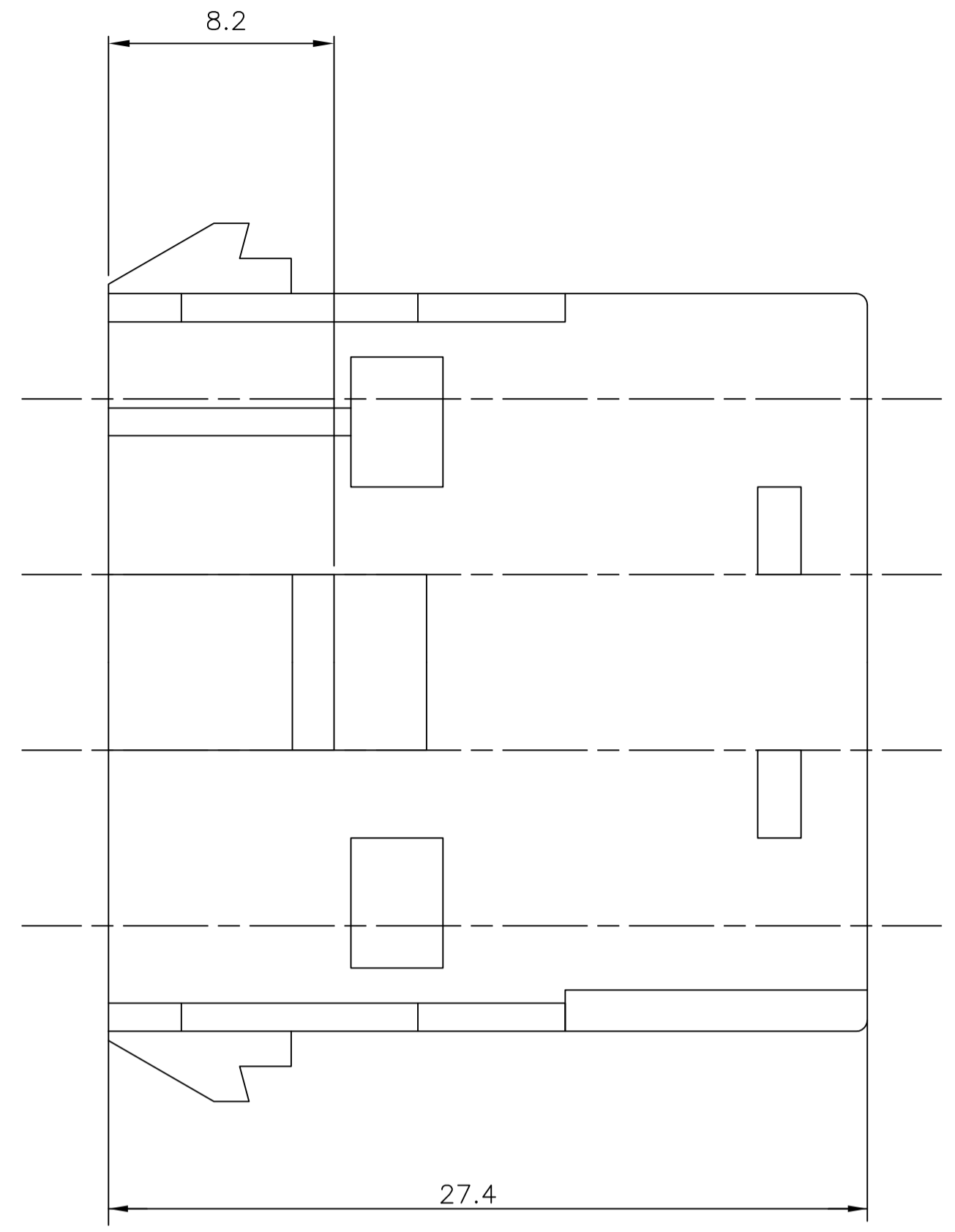
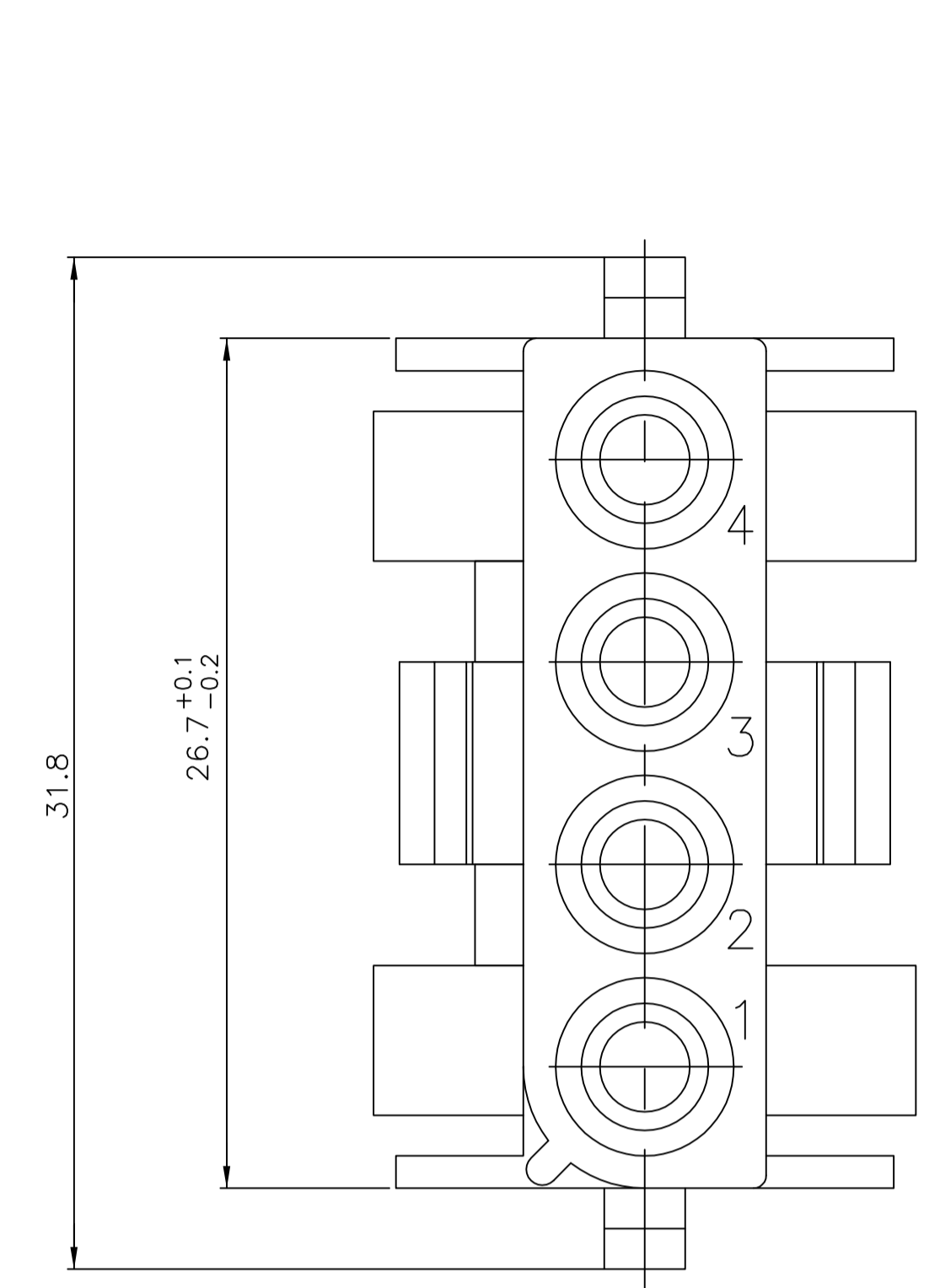
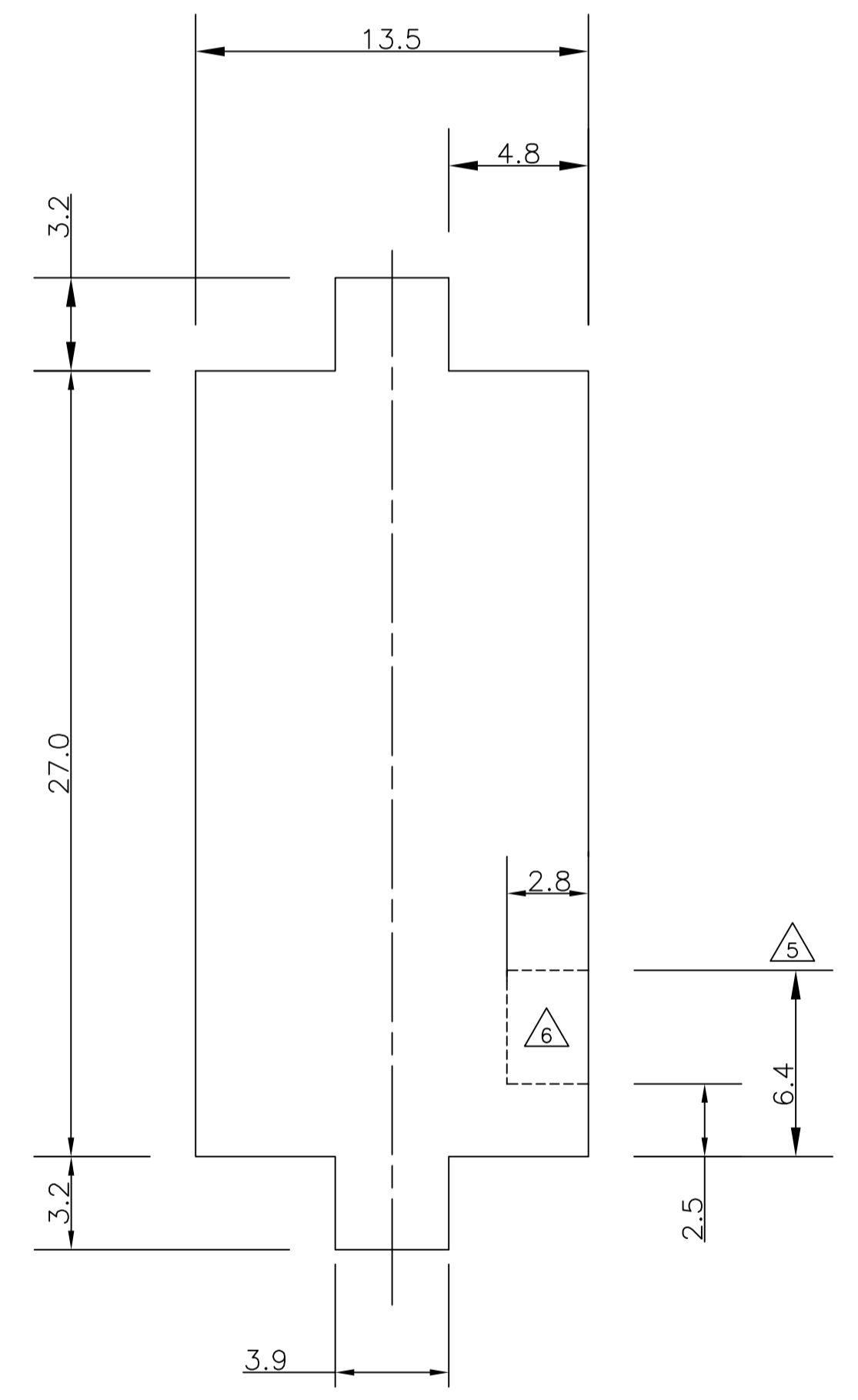


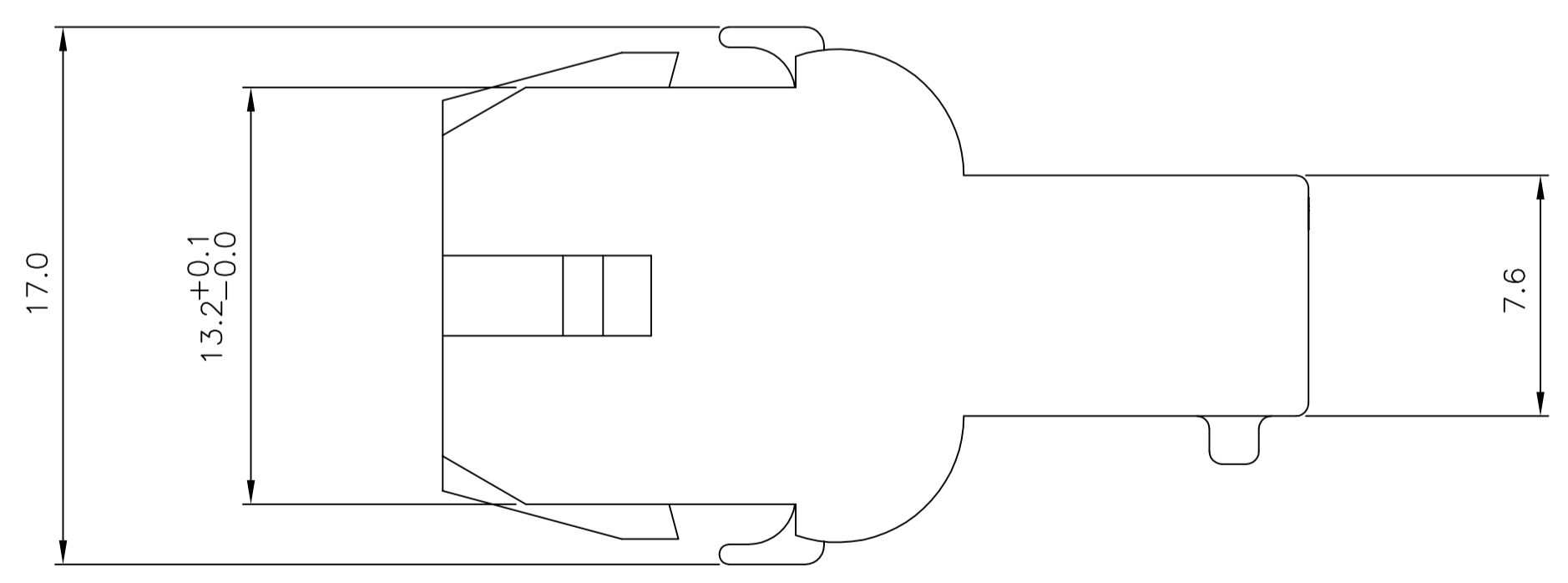
REVISIONS				
P	LTR	DESCRIPTION	DATE	BY
H7		REVISED PER ECR-17-014951	16OCT2017	BDA KR



- 1 Geeignet für UMNL stift-uns Buchsenkontakte
- 2 Passend zu UMNL-steckergehäuse 926298, 350779, 480702
- 3 Empfohlene Blechstärke 0.75-2.3mm
- 4 Gehäuse muß in stanzrichtung eingeführt werden
- 5 Für verschlüsseltes Einsetzen der Gehäuse
- 6 Position von kammer 1 bei verschlüsseltem Einsetzen der gehäuse
- 7 NEUES MATERIAL (PHOSPHOR UND HALOGEN FREI)
- 8 GWT 750°C (WITHOUT FLAME)
- 9 CSA CERTIFICATION LOGO LOCATED ONCE ON ANY INDICATED SURFACE APPROXIMATELY AS SHOWN
- 10 DIMENSIONS SHOWN REPRESENT PRODUCT IN DRY, AS MOLDED, CONDITION. ADDITIONAL 2% GROWTH DUE TO SUBSEQUENT MOISTURE ABSORPTION MAY OCCUR AND SHOULD BE ACCOUNTED FOR.



Montageausschnitt 3



MATERIAL	PART NO
PA6.6 UL94 V-0 GWT750 NOFLAME 8	926305-7
PA6 UL94 V2 NATURAL 8	926305-6
PA6.6 UL94 V2 NATURAL	926305-5
PA6.6 UL94 V-0 Weiß	926305-4
PA6.6 UL94 V-0 NATURAL 7	926305-3
PA6.6 UL94 V-0 Schwarz	926305-2
Zytel EFE 1030 natural UL 94 V-2	926305-1

THIS DRAWING IS A CONTROLLED DOCUMENT.		DWN KARTHICK 06FEB2014	TE Connectivity	
DIMENSIONS: mm		CHK ASHWINI 06FEB2014	NAME UNIVERSAL MATE-N-LOK	
TOLERANCES UNLESS OTHERWISE SPECIFIED:		APPRO RAJENDRA PAI 06FEB2014	PRODUCT SPEC	
0 PLC ± - 1 PLC ± 0.25 2 PLC ± 0.13 3 PLC ± - 4 PLC ± - ANGLES ± - FINISH -		APPLICATION SPEC	4 WAY CAP HOUSING	
MATERIAL SEE TABLE		WEIGHT	SIZE A1	CAGE CODE 00779
		RESTRICTED TO	DRAWING NO 926305	
		CUSTOMER DRAWING	SCALE 2:1	SHEET 1 of 1
			REV H7	