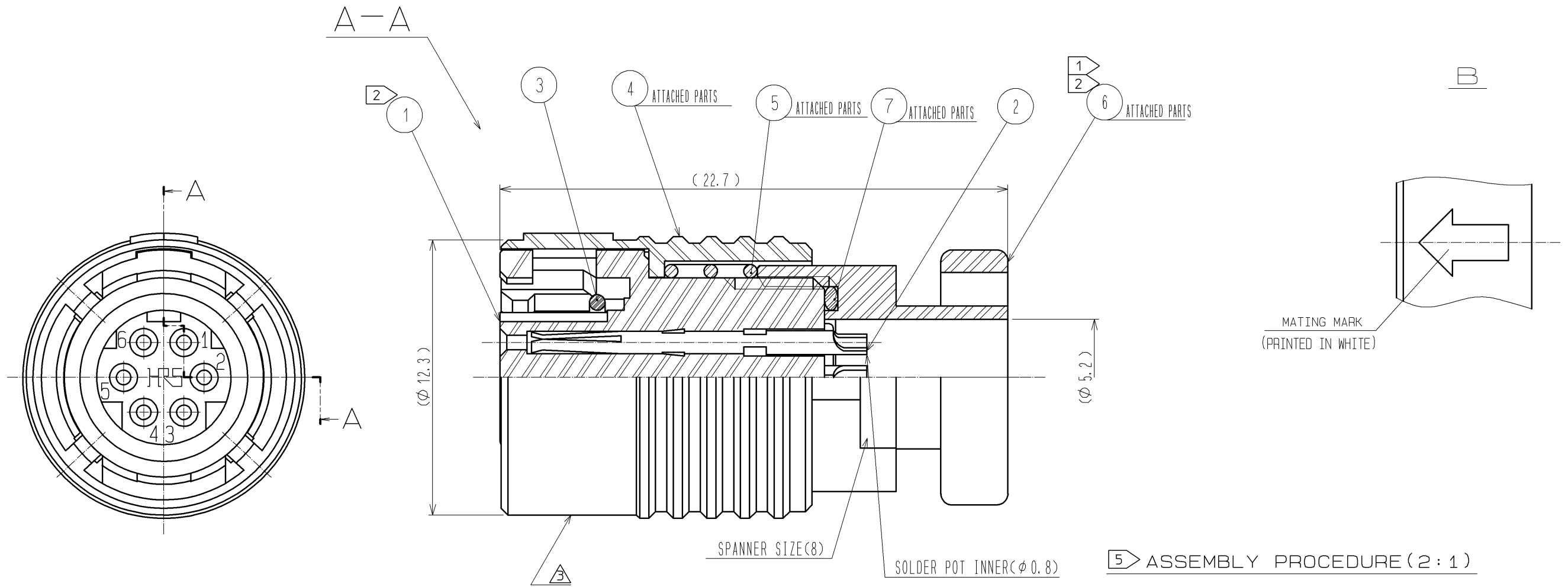
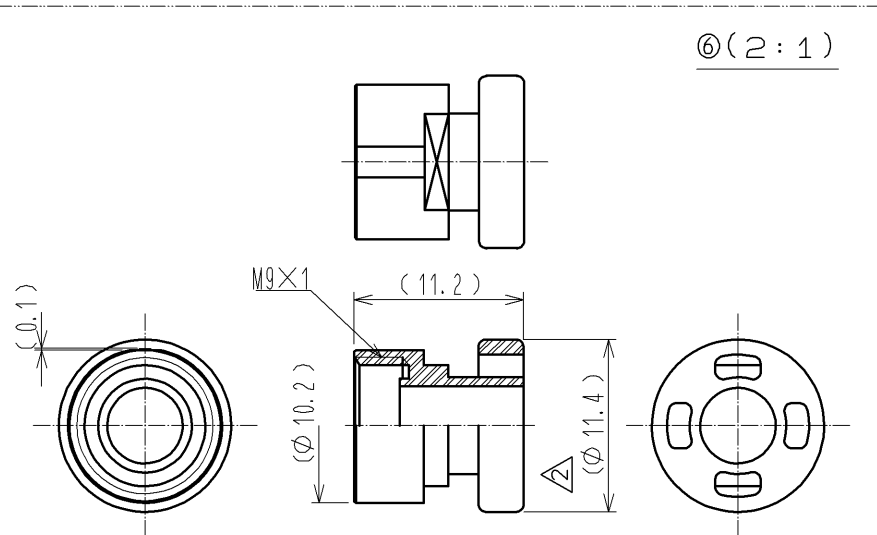
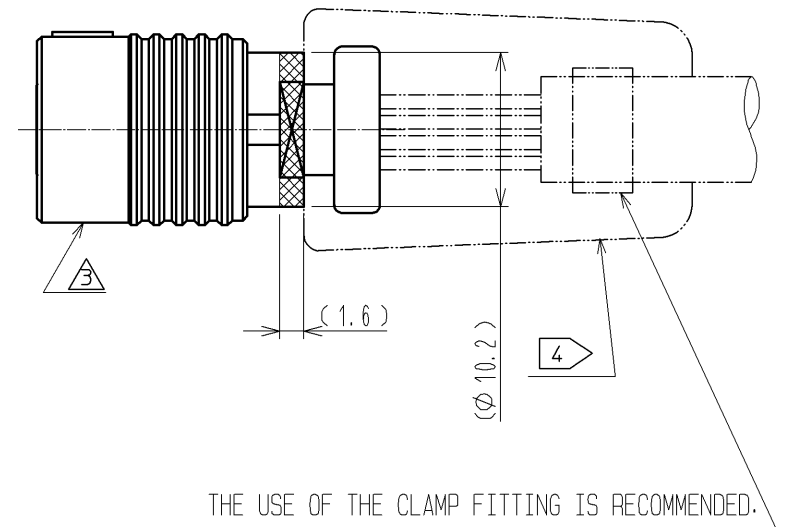


APPLICABLE STANDARD					
RATING	OPERATING TEMPERATURE RANGE	-25 °C TO +85 °C	STORAGE TEMPERATURE RANGE	-10 °C TO +60 °C	
	VOLTAGE	AC 100 V , DC 140 V			
	CURRENT	2 A	APPLICABLE CABLE		
SPECIFICATIONS					
ITEM		TEST METHOD		REQUIREMENTS	
CONSTRUCTION					
GENERAL EXAMINATION		VISUALLY AND BY MEASURING INSTRUMENT.		ACCORDING TO DRAWING.	
MARKING		CONFIRMED VISUALLY.			
ELECTRIC CHARACTERISTICS					
CONTACT RESISTANCE		CONTACT SHALL BE MEASURED AT DC 1 A		15 mΩ MAX.	
INSULATION RESISTANCE		100 V DC.		1000 MΩ MIN.	
VOLTAGE PROOF		300 V AC. FOR 1 min.		NO FLASHOVER OR BREAKDOWN.	
MECHANICAL CHARACTERISTICS					
CONTACT INSERTION AND WITHDRAWAL FORCES		φ0.53±0.003 BY STEEL GAUGE.		INSERTION AND WITHDRAWAL FORCES : 0.15 N MIN.	
CONNECTOR INSERTION AND WITHDRAWAL FORCES		MEASURED BY APPLICABLE CONNECTOR.		INSERTION AND WITHDRAWAL FORCES LOCKING DEVICE WITH UNLOCK : — N MAX. LOCKING DEVICE WITH LOCK : 30 N MAX.	
MECHANICAL OPERATION		1000 TIMES INSERTIONS AND EXTRACTIONS.		CONTACT RESISTANCE: 30 mΩ MAX.	
VIBRATION		FREQUENCY: 10 → 55 → 10 (Hz) (1CYC, 5min), SINGLE AMPLITUDE 0.75 mm, AT 10 CYC, FOR 3 DIRECTIONS.		① NO ELECTRICAL DISCONTINUITY OF 10 μs. ② NO DAMAGE, CRACK AND LOOSENESS, OF PARTS.	
SHOCK		490 m/s ² DIRECTIONS OF PULSE 11 ms AT 3 TIMES FOR 3 DIRECTIONS.		① NO ELECTRICAL DISCONTINUITY OF 10 μs. ② NO DAMAGE, CRACK AND LOOSENESS, OF PARTS.	
ENVIRONMENTAL CHARACTERISTICS					
DAMP HEAT (STEADY STATE)		EXPOSED AT 40 °C, 90 TO 95 %, 96 h.		① INSULATION RESISTANCE: 10 MΩ MIN (AT HIGH HUMIDITY). ② INSULATION RESISTANCE: 100 MΩ MIN (AT DRY). ③ NO DAMAGE, CRACK AND LOOSENESS OF PARTS.	
RAPID CHANGE OF TEMPERATURE		TEMPERATURE -55→ R/T ⁽¹⁾ → +85 → R/T °C TIME 30 → 10 TO 15 → 30 → 10 TO 15 min UNDER 5 CYCLES.		① INSULATION RESISTANCE: 100 MΩ MIN. ② NO DAMAGE, CRACK AND LOOSENESS OF PARTS.	
CORROSION SALT MIST		EXPOSED IN 5 % SALT WATER SPRAY FOR 48 h.		NO HEAVY CORROSION RUIN THE FUNCTION.	
DRY HEAT		EXPOSED AT + 85 °C , 96 h.		NO DAMAGE, CRACK AND LOOSENESS OF PARTS.	
COLD		EXPOSED AT - 55 °C , 96 h.		NO DAMAGE, CRACK AND LOOSENESS OF PARTS.	
RESISTANCE TO SOLDERING HEAT		SOLDER TEMPERATURE, + 380±10°C, FOR SOLDERING DURATION, 3 TO 4 s.		NO DEFORMATION OF CASE OF EXCESSIVE LOOSENESS OF THE TERMINALS.	
SOLDERABILITY		SOLDERED AT SOLDER TEMPERATURE, + 350±10°C FOR SOLDERING DURATION, 2 TO 3 s.		WETTING ON SOLDER SURFACE, NO SOLDER CLUSTER.	
SEALING		EXPOSED AT A DEPTH OF 1 m FOR 0.5 h.		NO WATER PENETRATION INSIDE CONNECTOR.	
AIRTIGHTNESS		APPLY AIR PRESSURE 17.6kPa FOR 0.5min TO INSIDE CONNECTOR.		NO AIR BUBBLES INSIDE CONNECTOR.	
	COUNT	DESCRIPTION OF REVISIONS	DESIGNED	CHECKED	DATE
①					
REMARK			APPROVED	MO. SATOH	09.08.27
NOTES (1) R/T : ROOM TEMPERATURE			CHECKED	HY. KISHI	09.08.27
(2) SEALING AND AIRTIGHTNESS SHALL BE TESTED BY APPLICABLE CONNECTOR.			DESIGNED	TY. SUZUKI	09.08.27
Unless otherwise specified, refer to JIS C 5402.			DRAWN	TY. SUZUKI	09.08.27
Note QT: Qualification Test AT: Assurance Test X: Applicable Test			DRAWING NO.		ELC4-116505-00
HRS	SPECIFICATION SHEET		PART NO.	HR30-6PB-6S	
	HIROSE ELECTRIC CO., LTD.		CODE NO.	CL130-0032-7-00	△ 1/1



- NOTES
- ① THE RECOMMENDED CLUMP TORQUE OF REF. NO. ⑥ IS 0.5N·m. LOCTITE 271, LOCPRIMER 7649, HENKEL JAPAN LTD IS RECOMMENDED TO PREVENT REF. NO. ⑥ FROM LOOSENING.
 - ② ROTATION EXAMPLES OF NO.① AND NO.⑥ ARE SHOWN. FOR OVERMOLDING NOTE THAT THE POSITION IS NOT ALWAYS THE SAME.
 - ③ APPLICABLE JIG
 - ④ SOLDER TERMINATION FIXTURE : HR30-6P-6S-T01(CL150-0214-9)
WHEN THIS PRODUCT ASSEMBLED, IT SHALL APPLY TO ETAD-C0198 AND BE OVERMOLDED BY CUSTOMER.
CABLE CLAMP STRENGTH, WATERPROOF PERFORMANCE DEPEND ON OVERMOLD. WE RECOMMENDED CHECKING THE QUALITY BEFORE THE USAGE
 - ⑤ THE MOLDING DIE FOR OVERMOLDING SHALL BE DESIGNED AS HOLDING DOWN THE AREA (SPANNER SETTING AREA(8)) AND CIRCUMFERENCE OF (φ11)) AS SHOWN IN THE DRAWING.



4	POLYBUTYLENE TEREPHTHALATE	(BLACK) UL94V-0						
3	SILICONE RUBBER	(RED)	7	SILICONE RUBBER	(RED)			
2	BRONZE ALLOY	SURFACE PLATING : GOLD PLATING 0.2μm UNDER PLATING : NICKEL PLATING 2μm	6	POLYBUTYLENE TEREPHTHALATE	(BLACK) UL94V-0			
1	POLYPHENYLENE SULFIDE	(BLACK) UL94V-0	5	STAINLESS STEEL				
NO.	MATERIAL	FINISH . REMARKS	NO.	MATERIAL	FINISH . REMARKS			
UNITS		SCALE	COUNT	DESCRIPTION OF REVISIONS		DESIGNED	CHECKED	DATE
mm		5 : 1	2	DIS-C-001565		TY. SUZUKI	HY. KISHI	10.01.14
HRS HIROSE ELECTRIC CO., LTD.		APPROVED : MO. SATOH	09.08.27	DRAWING NO.		EDC3-116505-00		
		CHECKED : HY. KISHI	09.08.27	PART NO.		HR30-6PB-6S		
		DESIGNED : TY. SUZUKI	09.08.27	CODE NO.		CL130-0032-7-00		
		DRAWN : TY. SUZUKI	09.08.27					