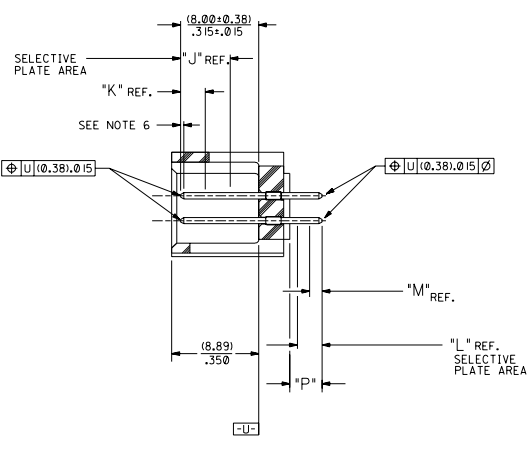


RECOMMENDED P.C. BOARD HOLE LAYOUT



SECTION J-J

NOTES:

- 1- 20 CIRCUIT SIZE SHOWN FOR ILLUSTRATION PURPOSES.
- 2- PIN PUSHOUT FORCE: (17.79 N)/4 LBS.
- 3- PINS MUST MEET SOLDERABILITY SPEC. MIL-STD-202 METHOD 208B.
- 4- WINDOW NOT AVAILABLE ON 6 AND 8 CIRCUIT SIZE.
- 5- FOR CHARTED DIMENSIONS AND ASSEMBLY NO.S NOT SHOWN ON THIS SHEET - SEE SHEET 2.
- 6- ROW TO ROW PIN HEIGHT VARIATION MUST NOT EXCEED (0.13)/.005 IN.
- 7- PRODUCT CONFORMS TO PS-8723.

MATERIAL:

SHROUDED WAFER: GLASS FILLED POLYESTER, 94V-0; COLOR: BLACK.  
PINS: PHOSPHOR BRONZE,  
SEE SHEET 2 FOR FINISHES.

ASSEMBLY STYLE "A" AND "B"

| CKT. | DIM. "A"       |                  | DIM. "B"         |                | DIM. "C"         |      | DIM. "D" |      | DIM. "E" |      |
|------|----------------|------------------|------------------|----------------|------------------|------|----------|------|----------|------|
|      | INCH           | MILL             | INCH             | MILL           | INCH             | MILL | INCH     | MILL | INCH     | MILL |
| 06   | (1.68)<br>.066 | (8.43)<br>.332   | (5.08)<br>.200   | (1.68)<br>.066 |                  |      |          |      |          |      |
| 08   | (1.68)<br>.066 | (10.97)<br>.432  | (7.62)<br>.300   | (1.68)<br>.066 |                  |      |          |      |          |      |
| 10   | (1.68)<br>.066 | (13.51)<br>.532  | (10.16)<br>.400  | (4.22)<br>.166 |                  |      |          |      |          |      |
| 12   | (1.68)<br>.066 | (16.05)<br>.632  | (12.70)<br>.500  | (4.22)<br>.166 |                  |      |          |      |          |      |
| 14   | (1.68)<br>.066 | (18.59)<br>.732  | (15.24)<br>.600  | (6.76)<br>.266 |                  |      |          |      |          |      |
| 16   | (1.68)<br>.066 | (21.13)<br>.832  | (17.78)<br>.700  | (6.76)<br>.266 |                  |      |          |      |          |      |
| 18   | (1.68)<br>.066 | (23.67)<br>.932  | (20.32)<br>.800  | (9.30)<br>.366 |                  |      |          |      |          |      |
| 20   | (1.68)<br>.066 | (26.21)<br>1.032 | (22.86)<br>.900  | (1.68)<br>.066 | (19.46)<br>.766  |      |          |      |          |      |
| 22   | (1.68)<br>.066 | (28.75)<br>1.132 | (25.40)<br>1.000 | (1.68)<br>.066 | (22.00)<br>.866  |      |          |      |          |      |
| 24   | (1.68)<br>.066 | (31.29)<br>1.232 | (27.94)<br>1.100 | (1.68)<br>.066 | (24.54)<br>.966  |      |          |      |          |      |
| 26   | (1.68)<br>.066 | (33.83)<br>1.332 | (30.48)<br>1.200 | (1.68)<br>.066 | (27.08)<br>1.066 |      |          |      |          |      |
| 28   | (1.68)<br>.066 | (36.37)<br>1.432 | (33.02)<br>1.300 | (1.68)<br>.066 | (29.62)<br>1.166 |      |          |      |          |      |
| 30   | (1.68)<br>.066 | (38.91)<br>1.532 | (35.56)<br>1.400 | (1.68)<br>.066 | (32.16)<br>1.266 |      |          |      |          |      |
| 32   | (1.68)<br>.066 | (41.45)<br>1.632 | (38.10)<br>1.500 | (1.68)<br>.066 | (34.70)<br>1.366 |      |          |      |          |      |
| 34   | (1.68)<br>.066 | (43.99)<br>1.732 | (40.64)<br>1.600 | (1.68)<br>.066 | (37.24)<br>1.466 |      |          |      |          |      |
| 36   | (1.68)<br>.066 | (46.53)<br>1.832 | (43.18)<br>1.700 | (1.68)<br>.066 | (39.78)<br>1.566 |      |          |      |          |      |
| 38   | (1.68)<br>.066 | (49.07)<br>1.932 | (45.72)<br>1.800 | (1.68)<br>.066 | (42.32)<br>1.666 |      |          |      |          |      |
| 40   | (1.68)<br>.066 | (51.61)<br>2.032 | (48.26)<br>1.900 | (1.68)<br>.066 | (44.86)<br>1.766 |      |          |      |          |      |
| 42   | (1.68)<br>.066 | (54.15)<br>2.132 | (50.80)<br>2.000 | (1.68)<br>.066 | (47.40)<br>1.866 |      |          |      |          |      |
| 44   | (1.68)<br>.066 | (56.69)<br>2.232 | (53.34)<br>2.100 | (1.68)<br>.066 | (49.94)<br>1.966 |      |          |      |          |      |
| 46   | (1.68)<br>.066 | (59.23)<br>2.332 | (55.88)<br>2.200 | (1.68)<br>.066 | (52.48)<br>2.066 |      |          |      |          |      |
| 48   | (1.68)<br>.066 | (61.77)<br>2.432 | (58.42)<br>2.300 | (1.68)<br>.066 | (55.02)<br>2.166 |      |          |      |          |      |
| 50   | (1.68)<br>.066 | (64.31)<br>2.532 | (60.96)<br>2.400 | (1.68)<br>.066 | (57.56)<br>2.266 |      |          |      |          |      |
| 52   | (1.68)<br>.066 | (66.85)<br>2.632 | (63.50)<br>2.500 | (1.68)<br>.066 | (60.10)<br>2.366 |      |          |      |          |      |
| 54   | (1.68)<br>.066 | (69.39)<br>2.732 | (66.04)<br>2.600 | (1.68)<br>.066 | (62.64)<br>2.466 |      |          |      |          |      |
| 56   | (1.68)<br>.066 | (71.93)<br>2.832 | (68.58)<br>2.700 | (1.68)<br>.066 | (65.18)<br>2.566 |      |          |      |          |      |
| 58   | (1.68)<br>.066 | (74.47)<br>2.932 | (71.12)<br>2.800 | (1.68)<br>.066 | (67.72)<br>2.666 |      |          |      |          |      |
| 60   | (1.68)<br>.066 | (77.01)<br>3.032 | (73.66)<br>2.900 | (1.68)<br>.066 | (70.26)<br>2.766 |      |          |      |          |      |
| 62   | (1.68)<br>.066 | (79.55)<br>3.132 | (76.20)<br>3.000 | (1.68)<br>.066 | (72.80)<br>2.866 |      |          |      |          |      |
| 64   | (1.68)<br>.066 | (82.09)<br>3.232 | (78.74)<br>3.100 | (1.68)<br>.066 | (75.34)<br>2.966 |      |          |      |          |      |
| 66   | (1.68)<br>.066 | (84.63)<br>3.332 | (81.28)<br>3.200 | (1.68)<br>.066 | (77.88)<br>3.066 |      |          |      |          |      |
| 68   | (1.68)<br>.066 | (87.17)<br>3.432 | (83.82)<br>3.300 | (1.68)<br>.066 | (80.42)<br>3.166 |      |          |      |          |      |
| 70   | (1.68)<br>.066 | (89.71)<br>3.532 | (86.36)<br>3.400 | (1.68)<br>.066 | (82.96)<br>3.266 |      |          |      |          |      |
| 72   | (1.68)<br>.066 | (92.25)<br>3.632 | (88.90)<br>3.500 | (1.68)<br>.066 | (85.50)<br>3.366 |      |          |      |          |      |

- U ADD -3803 OPT  
DCP2004-2268  
DMORGAN 04/05/20
- T LEAD FREE  
USP2004-179  
RW WHITE 04/04/26
- S ADD -3802 OPTION  
ECN #022004-052  
DMORGAN 04/01/2
- R2 TAB DIF DIM 6 CIR  
ECN #010999-0145  
DMORGAN 56/09/01
- R1 ADD WDG LATCH NOTE  
ECN #010998-0399  
DMORGAN 56/06/23
- R ADDED SHEET 7  
PER ECR NO US0208  
03-23-96
- O REMOVE FDP NO.S  
PER ECR NO US0205  
05-04-94
- P CHGD WINDOW NOTES  
PER ECR NO US0316  
05-04-94
- O CHANGED MATERIAL  
PER ECR NO US0146  
01-22-93
- R2 REVISED & REDRAWN  
PER ECR NO US0173  
05-28-92
- LTR REVISIONS

|                                       |  |                           |  |
|---------------------------------------|--|---------------------------|--|
| DIMENSIONS SHOWN METRIC INCH          |  | REVISIONS                 |  |
| TITLE SALES ASSEMBLY                  |  | REVISE ONLY ON CAD SYSTEM |  |
| WAFER - STRAIGHT MT. FULLY SHROUDED   |  | DATE 12/92/07/17          |  |
| .1000 GRID - FOR USE W/.0025 SQ. PINS |  | PART NO. SDA-8723-*****   |  |
| WITH .066 END WALLS                   |  | DRAWN BY DA D             |  |
| MOLEX INCORPORATED                    |  | SEE CHART                 |  |
| MFG. SH. REV. LTR. NTR. REVISIONS     |  | SCALE 4:1                 |  |

