

H G F E D C B A

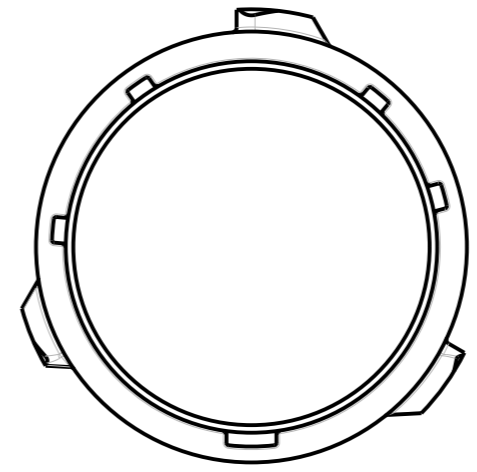
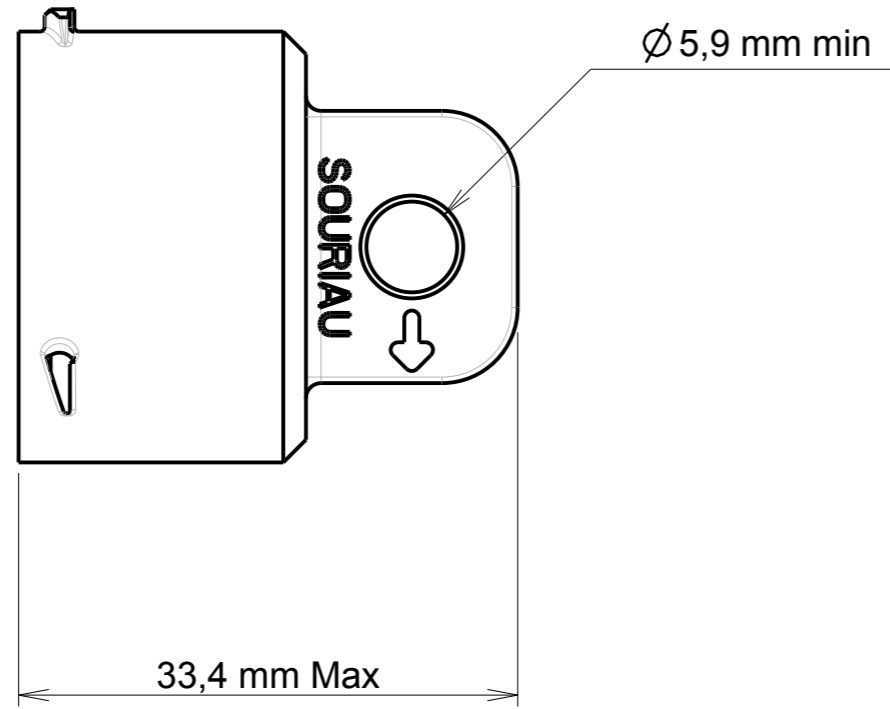
a:0 ;RL

4

3

2

1



ECHELLE 1/1

**PACKAGING :**  
 - 1 cap per plastic bag  
 - Label with SOURIAU code on every bags

**MATERIAL :**  
 - Thermoplastic

<b>P/N</b>		<b>UTS618DCG2</b>		
<b>a</b>	05/07/13	-- -- -- CREATION		22753F
<b>ISS</b>	<b>DATE</b>	<b>Latest modification - by:</b>		<b>MOD N°</b>
		M.SORLIN		
<b>Designed by:</b>		<b>M.SORLIN</b>	<b>Date:</b> 03/07/13	<b>Type of drawing:</b> CUSTOMER
<b>Checked by:</b>		SEE DISTRIBUTION LIST		
<b>DATE:</b>		SEE DISTRIBUTION LIST		
<b>TITLE</b>		Cap for plug UTS Size 18 UNITBOX		
<b>Scale</b>	<b>General angular</b>	<b>MATERIAL Thermoplastic</b>		
2/1	Tolerances: ± 1°	--		
	<b>General linear</b>	<b>General machining surface texture</b>	<b>Ra 3.2</b>	<b>Geometrical Tolerances</b>
	Tolerances : ±0.1			See NF EN ISO 1101
		<b>SOURIAU</b> Route Nationale 23 72470 CHAMPAGNE Tel. (33)02.43.54.35.00		This document is the property of SOURIAU It must not be reproduced or communicated without permission
<b>FORMAT</b>	<b>DRAWING REFERENCE</b>			<b>SHEET</b>
A3	UTS618DCG2-C01			1 / 1

H G F E D C B A