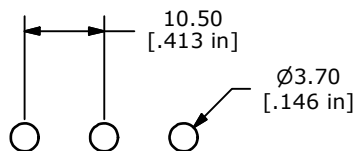
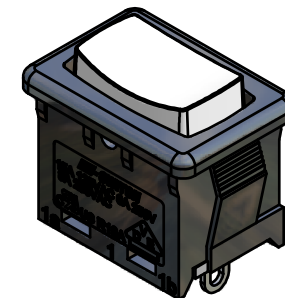
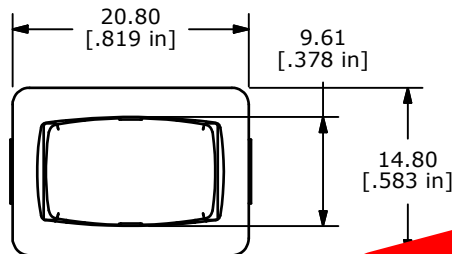


RECOMMENDED PANEL MOUNTING

PANEL THICKNESS	X
0.75-1.25	19.20-19.30
1.25-2.00	19.30-19.40
2.00-3.00	19.50-19.60



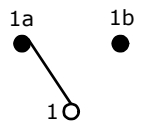
PC MOUNTING



ISOMETRIC

SWITCH FUNCTION		
POS. 1	POS. 2	POS. 3
(ON)	OFF	(ON)
(1-1a)	NONE	(1-1b)

MOMENTARY=(ON)

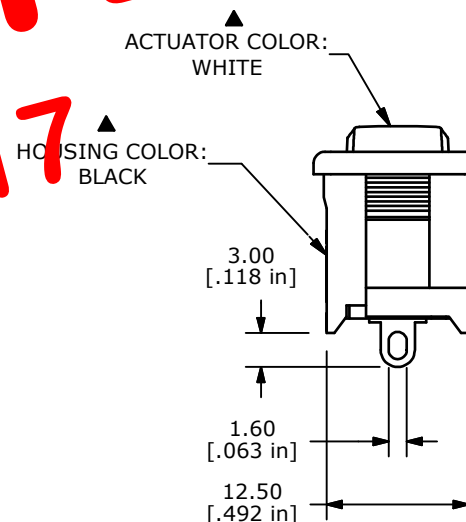
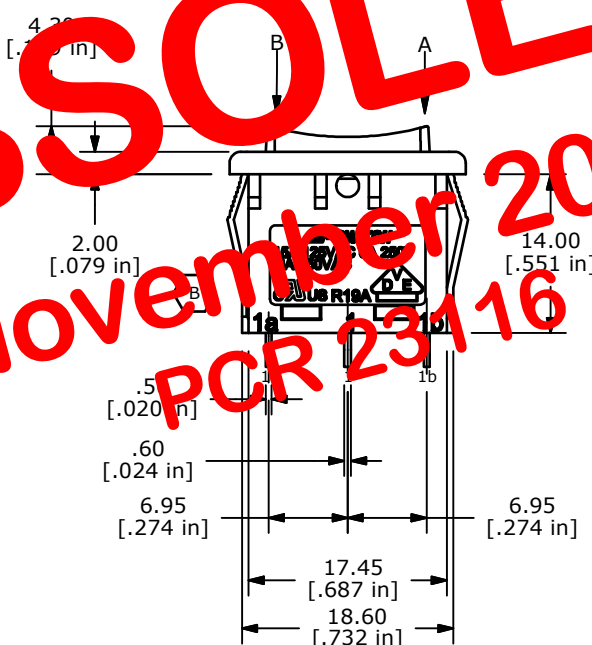


CURCUIT: SPDT

NOTES:

1. ALL DIMENSIONS IN MM [INCH]
2. GENERAL TOLERANCE: X.X=±0.4  
X.XX=±0.25
3. TERM. NOS. FOR REF. ONLY
4. RATING: 15A @125VAC;  
8A @250VAC.
- ▲5. LAMP VOLTAGE: NO LAMP
6. MATERIAL:  
CONTACT SURFACE: SILVER ALLOY  
TERMINAL: COPPER ALLOY w/SILVER PLATE
7. ELECTRICAL LIFE: 10,000 CYCLES
8. CONTACT RESISTANCE: <20 MILLI-OHMS INITIAL
9. DIELECTRIC STRENGTH: >1,500V AC 1 MIN
- 10.▲ DENOTES CRITICAL PARAMETER.
11. 2002/95/EC (ROHS) COMPLIANT

OBSOLETE  
 November 2017  
 PCR 23116



B	19359	UPDATE HOUSING	11/02/10	BMA
A	16751	RELEASED FOR PRODUCTION	12/15/06	TN
REV	PCR NO	DESCRIPTION	DATE	BY

TITLE R1966IBLKWHITES			
SCALE	DATE	DR	DWG
1.5:1	12/15/2006	TN	M302430
			REV
			B

THE INFORMATION CONTAINED IN THIS DOCUMENT IS PROPRIETARY TO E-SWITCH AND IS NOT TO BE COPIED OR TRANSFERRED