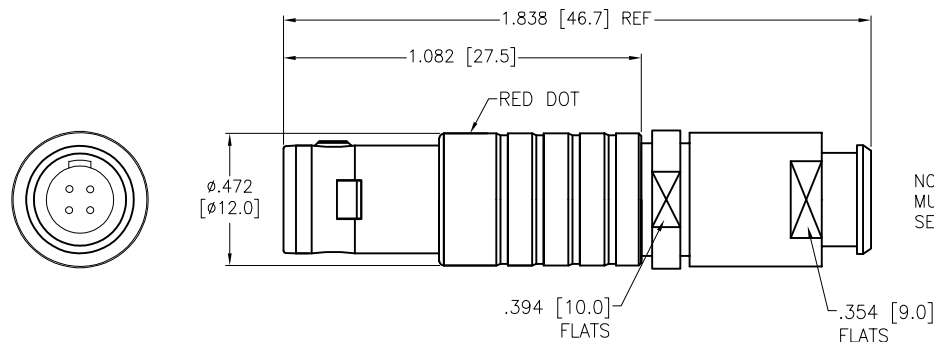


APPROVED: \_\_\_\_\_

DATE: \_\_\_\_\_ TITLE: \_\_\_\_\_

Rev	AWO #	Description	Date	Appr
-		RELEASED	8/16/21	
A		UPDATE DRAWING	3/2/23	LH/AC1
B		UPDATED SPEC.	3/16/23	JJ/KC



NOTE; BEND RELIEF MUST BE ORDERED SEPARATELY

MMI-M1PXXXSXXB

ALIGNMENT KEY

G = 0°
A = 30°
B = 60°
C = 90°

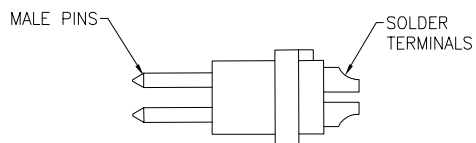
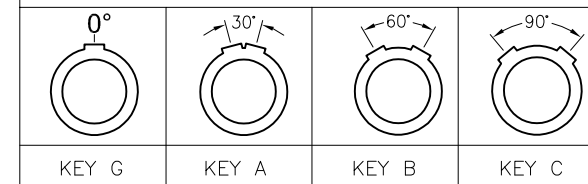
CABLE COLLET SIZE

42 = 3.2mm ~ 4.2mm ID
52 = 4.2mm ~ 5.2mm ID
62 = 5.2mm ~ 6.2mm ID
72 = 6.2mm ~ 7.2mm ID

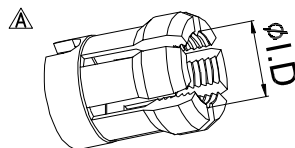
# OF POSITIONS

02, 03, 04, 05, 06,  
07, 08, 10, 14 & 16

ALIGNMENT KEY OPTION



DETAIL



CABLE COLLET

	2 Pin	3 Pin	4 Pin	5 Pin	6 Pin	7 Pin	8 Pin	10 Pin	14 Pin	16 Pin
Configuration										
Diameter of Pin	Ø1.3	Ø1.3	Ø0.9	Ø0.9	Ø0.7	Ø0.7	Ø0.7	Ø0.5	Ø0.5	Ø0.5
Testing Voltage	1350V	1300V	1350V	1150V	1050V	950V	950V	900V	800V	800V
Rated Current / Pin	9A	9A	8A	7A	5A	5A	5A	2A	2A	2A
Max. Wire Awg	20	20	22	22	22	22	22	28	28	28

SPECIFICATIONS:

Material:

Housing (Body): Brass, Natural Chrome plated

Insulator: PPS

Terminal: Brass, Gold Plated

Electrical:

Voltage Rating: Refer to chart

Current Rating: See chart

Dielectric withstanding voltage: See chart

Electrical Life: 5,000 Cycles min.

Temperature Rating:

Operating temperature: -55°C to +150°C

Environmental:

IP50 Protection (Mated Condition)

Lead free, RoHS compliant



UNLESS OTHERWISE SPECIFIED ALL DIMENSIONS ARE INCHES [MM]. TOLERANCES: EXCEPT AS NOTED

INCHES	HOLES
.X ± .10	ØX ± .10
.XX ± .020	ØXX ± .015
.XXX ± .015	ØXXX ± .010

DRAWN	SS	8/16/21
CHECKED	SS	8/16/21
APPROVED		

THIS DRAWING CONTAINS INFORMATION THAT IS PROPRIETARY AND SHOULD NOT BE USED WITHOUT PRIOR WRITTEN PERMISSION FROM ADAM TECH

**ADAM  
TECH**

909 Rahway Avenue,  
Union, NJ 07083  
Phone: 908-687-5000  
Fax: 908-687-5710

TITLE  
PUSH-PULL CONNECTOR MALE PLUG, METAL,  
SIZE 1, SOLDER TERMINAL, BEND RELIEF TYPE, IP50

SIZE	PART NO.	REV.
X	MMI-M1PXXXSXXB	B
REF: S00210C	SCALE: NTS	SHEET 1 OF 1