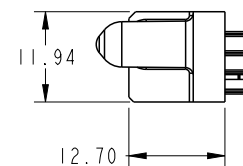
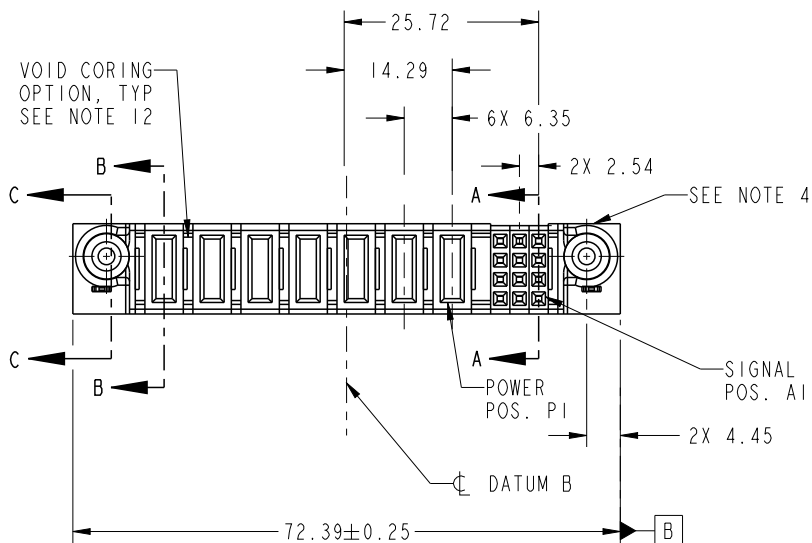


PRODUCT NO.	ROWS	POWER							SIGNAL				
		E2	P7	P6	P5	P4	P3	P2	P1	3	2	1	E1
51940-408-- NOTE: 3	D C B A		PA	X	PA	X	PA	X	PA	X	PA		

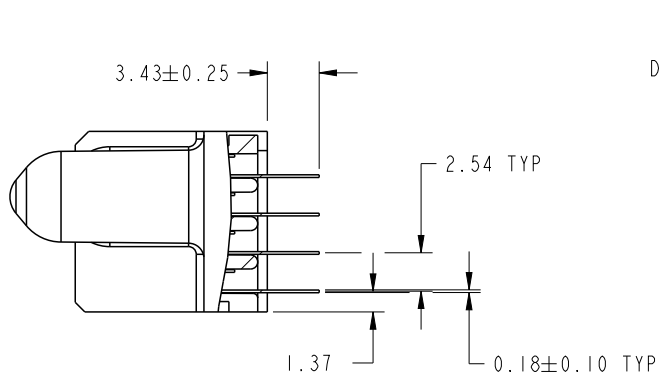


CODE	DIM "M" MATING LENGTH	CONTACT TYPE
E	[N/A]	SIGNAL
PA	[1.07]	POWER
HA	[N/A]	HOLD-DOWN
X	OMITTED	OMITTED

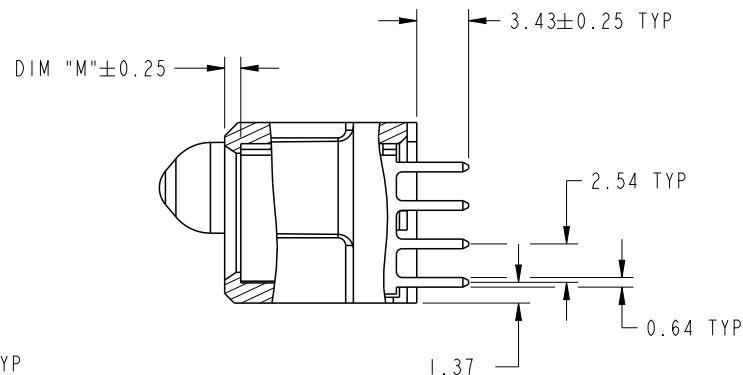
spec ref	*	dr	X Q Wang	2011/11/23	projection	MM	size	A4	scale	1:1
tolerance std	TOLERANCES UNLESS OTHERWISE SPECIFIED	eng	X Q Wang	2011/11/29			ecn no	-		
SEE NOTE		chr	-	-	product family			PwrBlade	rel level	Released
surface	<input checked="" type="checkbox"/> linear <input type="checkbox"/> angular	0.X	±0.5	 www.fci.com	title 12 S + 7 P VERTICAL SOLDER RECEPT	dwg no 51940-408	rev A			
		0.XX	±0.25					cat. no.	*	Product - Customer Drw
		0.XXX	±0.1							
		0°	±2°							

PRODUCT NUMBER

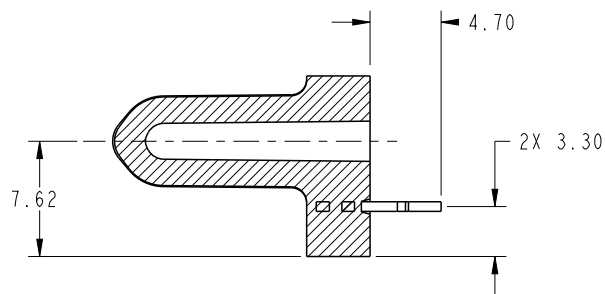
51940-408_
NOTE: 3



SECTION A-A
SCALE 2:1



SECTION B-B
SCALE 2:1

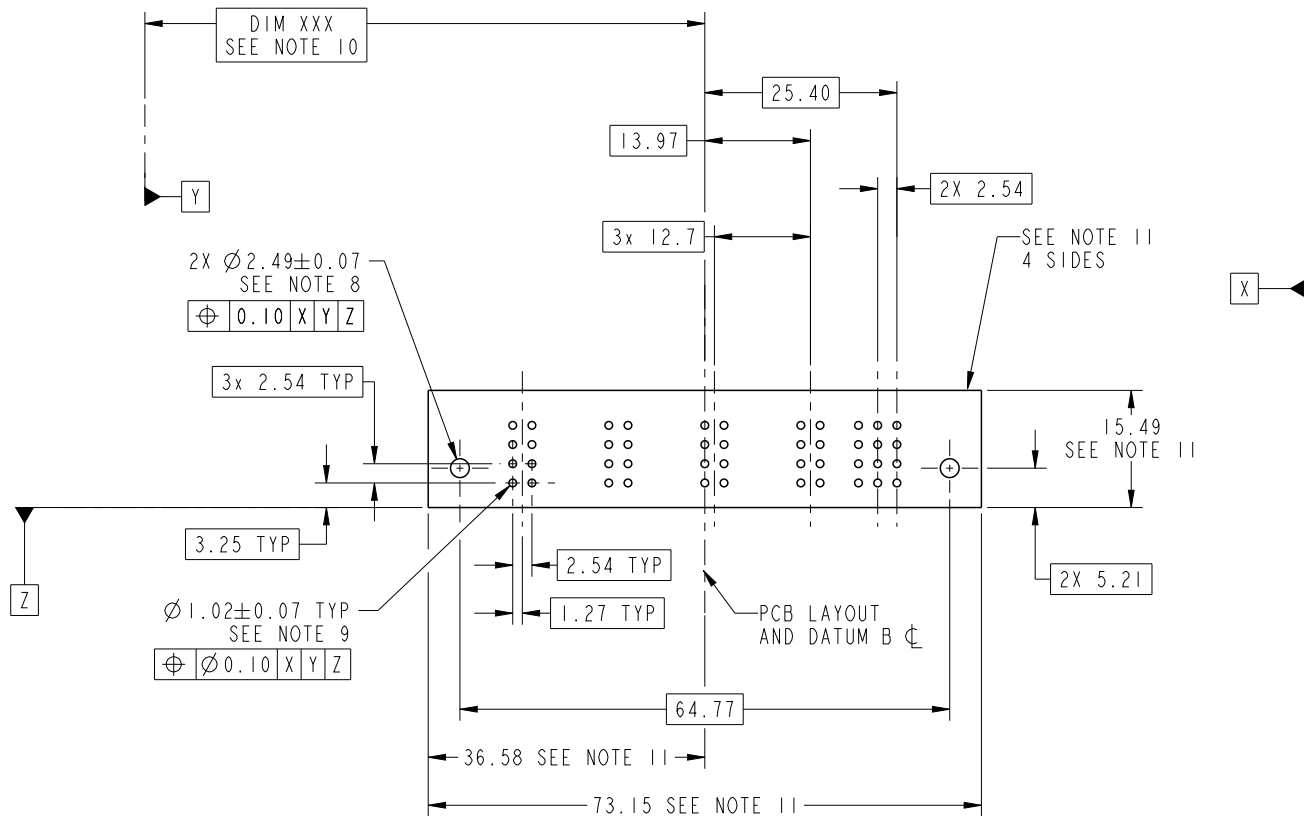


SECTION C-C
SCALE 2:1

dr	X Q Wang	2011/11/23	projection 	MM 	size	A4	scale	1:1
eng	X Q Wang	2011/11/29			ecn no	-		
chr	-	-			rel level	Released		
appr	Pei-Ming Zheng	2011/11/30	product family	PwrBlade	rev	A		
		title 12 S + 7 P VERTICAL SOLDER RECEIPT	dwg no 51940-408	cat. no. *	Product - Customer Drw	sheet 2 of 4		

PRODUCT NUMBER

51940-408_
NOTE: 3



RECOMMENDED PCB LAYOUT

dr	X Q Wang	2011/11/23	projection 	MM 	size	A4	scale	1:1
eng	X Q Wang	2011/11/23			ecn no	-		
chr	-	-			rel level	Released		
appr	Pei-Ming Zheng	2011/11/30	product family	PwrBlade	rev	A		
		title 12 S + 7 P VERTICAL SOLDER RECEPT	dwg no 51940-408	www.fci.com	cat. no. *	Product - Customer Drw	sheet 3 of 4	

PRODUCT NUMBER

51940-408__
NOTE: 3

NOTES:

1. DIMENSIONS AND TOLERANCES ARE IN ACCORDANCE WITH ASME Y14.5M, 1994 UNLESS OTHERWISE SPECIFIED.

CONNECTOR NOTES:

2 HOUSING MATERIAL: UL 94 V-0 GLASS FILLED HIGH-TEMP THERMOPLASTIC
POWER CONTACT MATERIAL: COPPER ALLOY
SIGNAL PIN MATERIAL: COPPER ALLOY

3. SEE ITEM 5 & 6 IN PRINT 10064183 FOR PLATING SPEC OF 51940-408 AND 51940-408LF RESPECTIVELY.

4 MANUFACTURER'S NAME, DATE CODE AND OPTIONAL P/N TO APPEAR ON THIS SURFACE. THE P/N CAN BE OMITTED IF THERE IS NOT ENOUGH SPACE ON THIS SURFACE.

5. PRODUCT SPECIFICATION GS-12-149.
APPLICATION SPECIFICATION BUS-20-067.

6. PACKAGED IN TRAYS.

PCB NOTES:

7. ALL HOLE DIAMETERS ARE FINISHED HOLE SIZE.

8 MOUNTING HOLES, WHERE APPLICABLE, ARE UNPLATED.

9 $\varnothing 1.151 \pm 0.025$ DRILLED HOLES PLATED WITH
0.008 MIN SnPb OR Sn OVER 0.03
TO 0.08 Cu PLATING TO ACHIEVE
 $\varnothing 1.02 \pm 0.07$ HOLE.

10 "DIM XXX" TO BE DETERMINED BY THE CUSTOMER.

11 CONNECTOR KEEP-OUT ZONE.

12. THE VOID CORING IN BETWEEN POWER MODULES, SIGNAL MODULES AND END MODULES ARE OPTIONAL AND THE SHAPE MAY BE DIFFERENT FOR OPTIMIZE THE MOLDING PROCESS. THE VOID CORING WILL NOT EFFECT TO PRODUCT FUNCTION.



Copyright FCI.

dr	X Q Wang	2011/11/23	projection 	MM 	size	A4	scale	1:1		
eng	X Q Wang	2011/11/29			ecn no	-				
chr	-	-			product family	PwrBlade	rel level	Released		
appr	Pei-Ming Zheng	2011/11/30			title	12 S + 7 P VERTICAL SOLDER RECEPT	dwg no	51940-408	rev	A
www.fci.com		cat. no.	*	Product - Customer Drw			sheet 4 of 4			