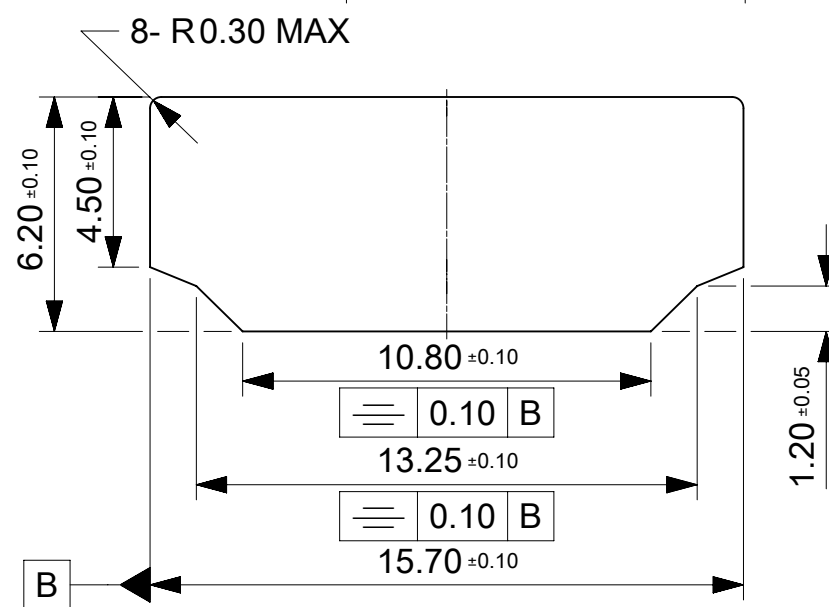
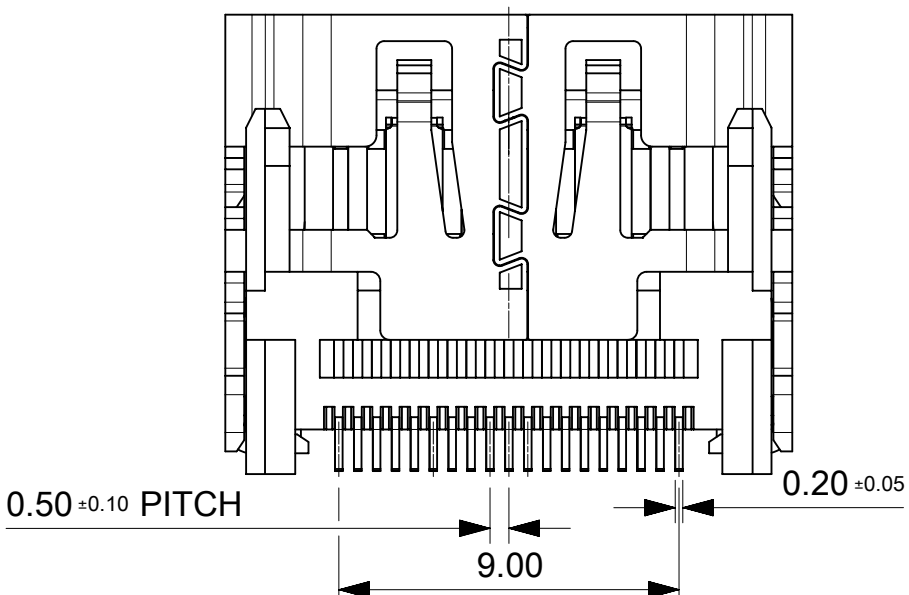
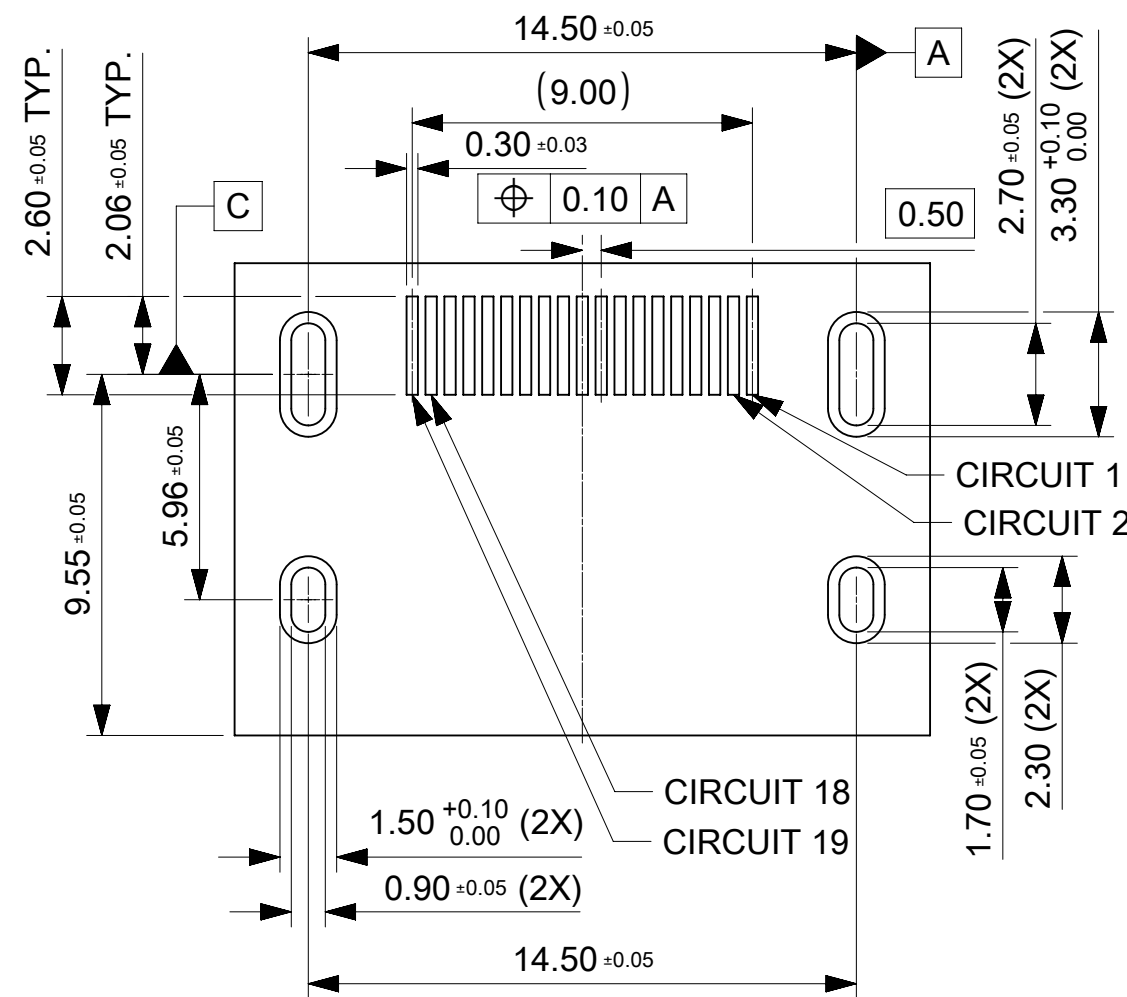
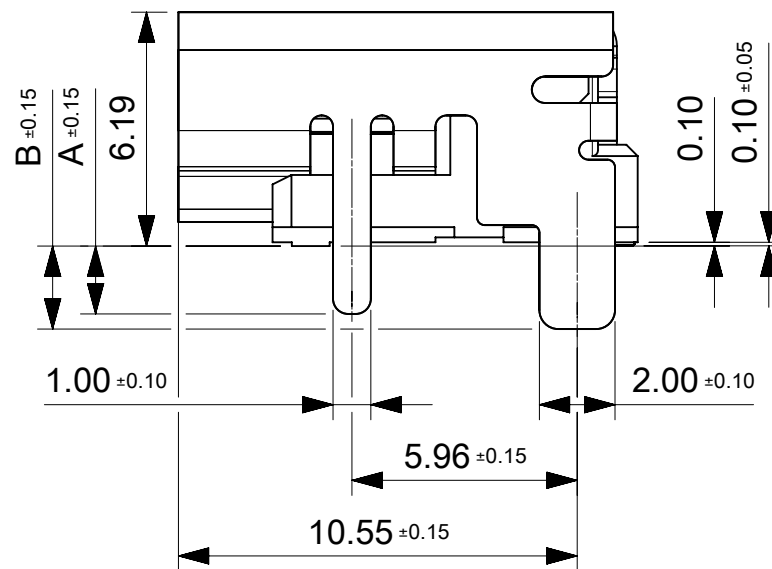
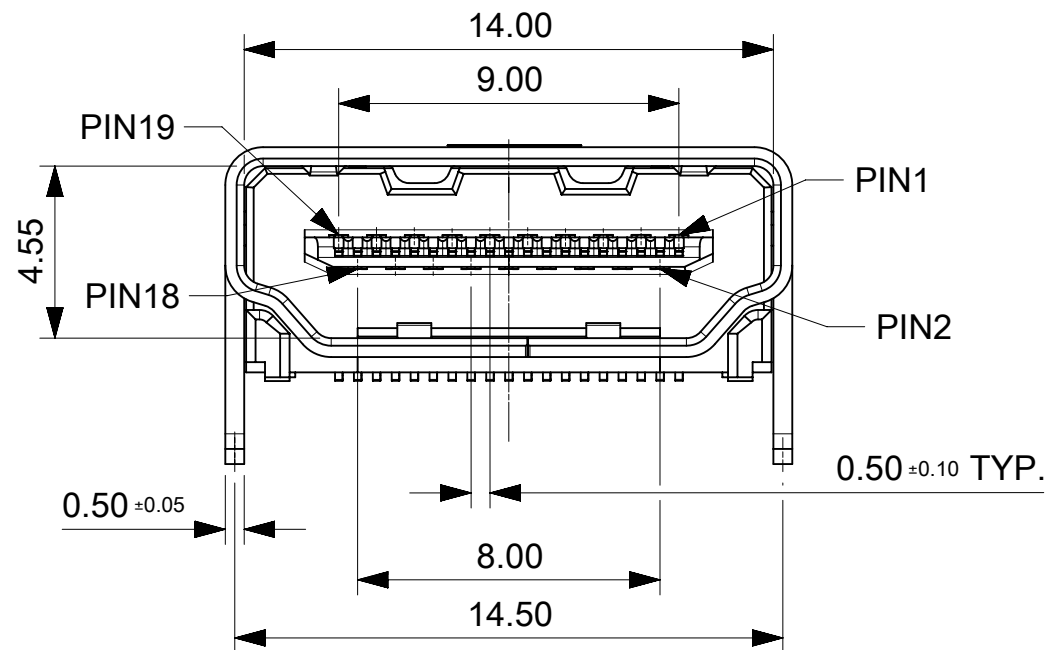
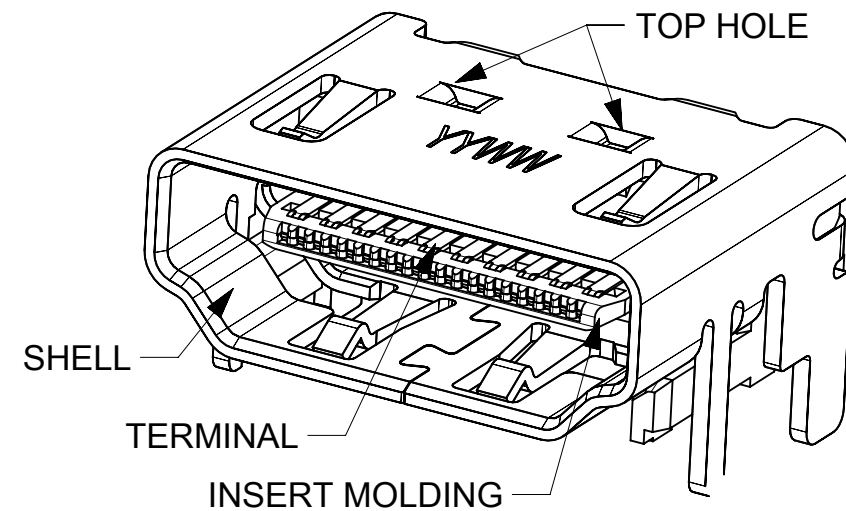


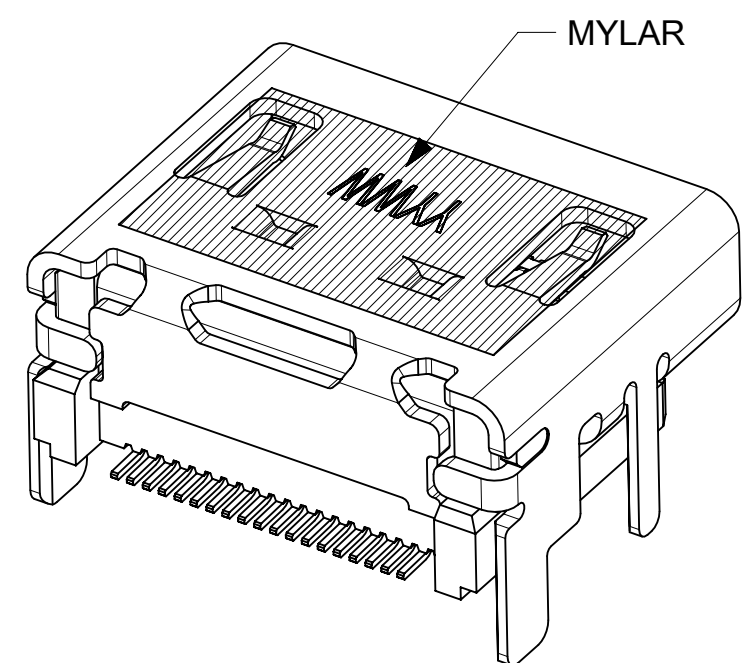
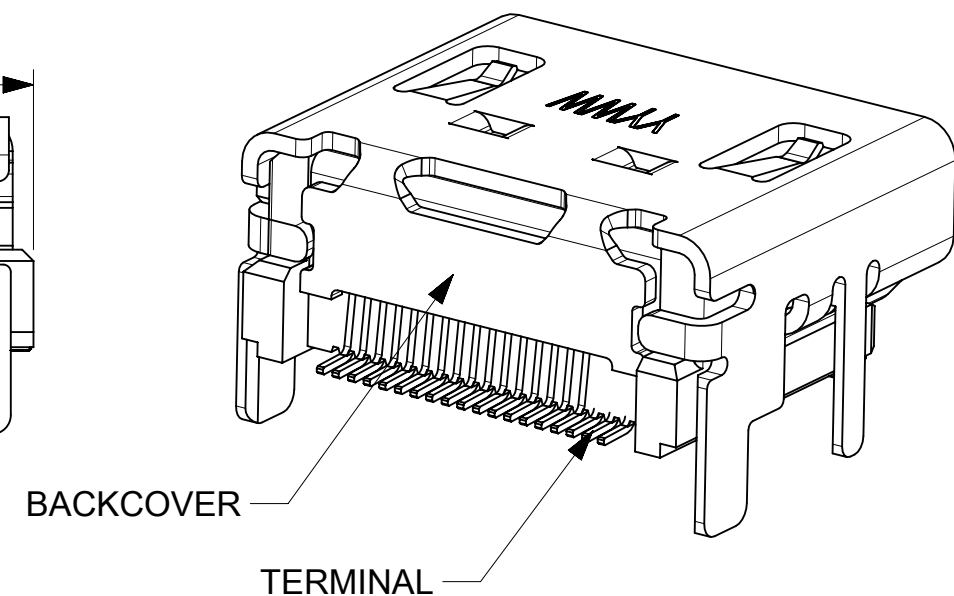
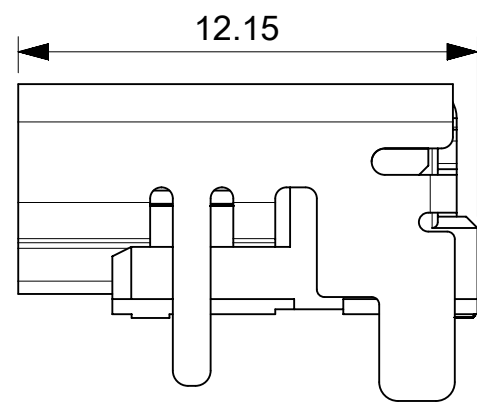
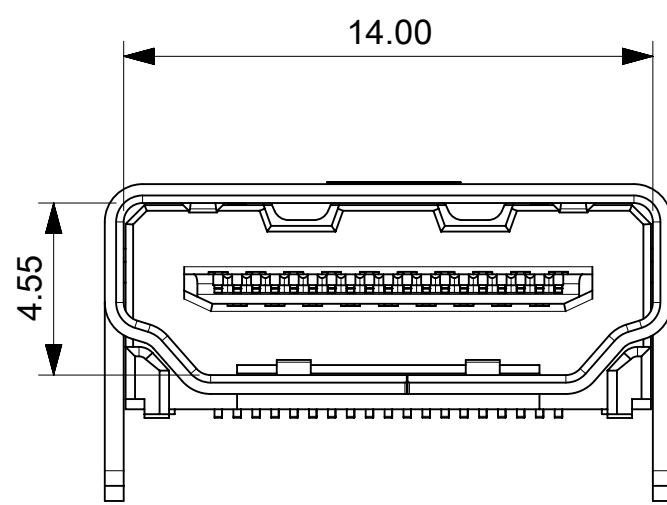
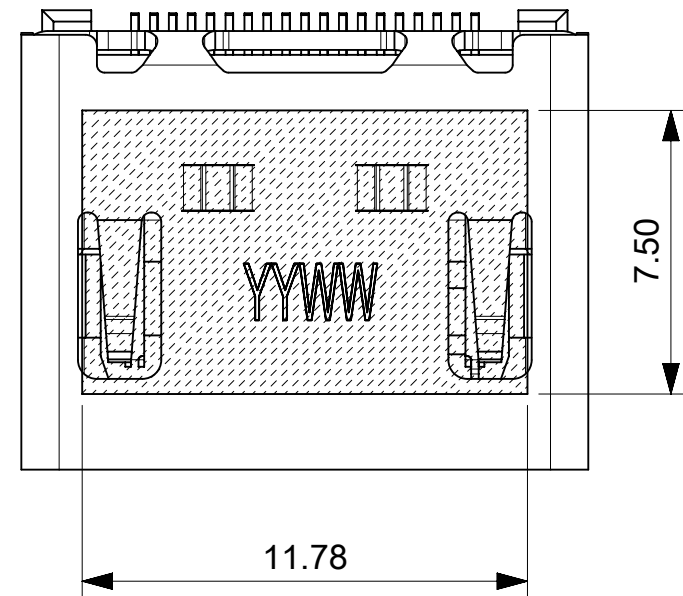
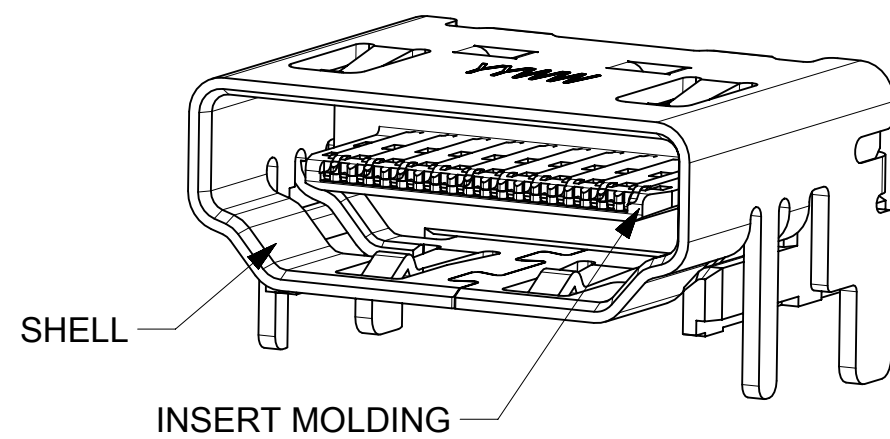
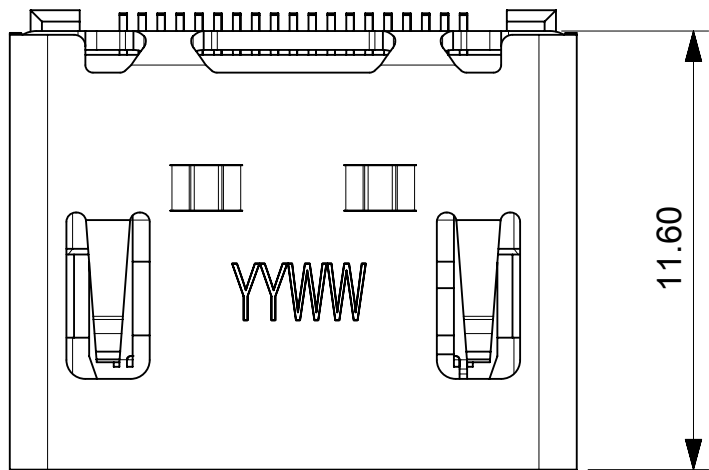
NOTES:

1. MATERIAL:
HOUSING: LCP, COLOR: BLACK, UL94V-0.
SHELL: STAINLESS STEEL.
TERMINAL: BRASS, ALLOY.
2. PLATING BE SEEN AT SHEET 3.
3. COMPLANARITY OF SOLDER TAIL: 0.10mm MAX.
4. DATE CODE: YY=YEAR, WW=WEEK.
5. PRODUCT SPEC. REFER TO 2086580001(PS).
6. PACKAGE SPEC. REFER TO PACKAGE DRAWING 2086589901.
7. PLEASE CONTACT YOUR SALES REPRESENTATIVE IF INTENDED FOR AUTOMOTIVE.



**RECOMMENDED PCB LAYOUT
CONNECTOR SIDE ONLY**

THIS DRAWING CONTAINS INFORMATION THAT IS PROPRIETARY TO MOLEX ELECTRONIC TECHNOLOGIES, LLC AND SHOULD NOT BE USED WITHOUT WRITTEN PERMISSION		CURRENT REV DESC:		molex	
DIMENSION UNITS	SCALE				
mm	NTS			HDMI FOR INSERT-MOLD TYPE	
GENERAL TOLERANCES (UNLESS SPECIFIED)				PRODUCT CUSTOMER DRAWING	
ANGULAR TOL ± 3.0°				DOCUMENT NUMBER	
4 PLACES ±	EC NO: 668949	2021/11/09		2086581000	
3 PLACES ±	DRWN: XQZHANG	2022/01/20		DOC TYPE	DOC PART
2 PLACES ± 0.25	CHK'D: AYIN	2022/01/20		PSD	000
1 PLACE ± 0.25	APPR: AYIN	INITIAL REVISION:		REVISION	
0 PLACES ±	DRWN: XQZHANG	2021/11/09		A	
DRAFT WHERE APPLICABLE MUST REMAIN WITHIN DIMENSIONS				SHEET NUMBER	
THIRD ANGLE PROJECTION				1 OF 3	
DRAWING		SERIES		CUSTOMER	
A3-SIZE		208658		GENERAL MARKET	
MATERIAL NUMBER		CUSTOMER			
SEE TABLE					



THIS IS ONLY FOR 2086581061/1081

NOTES:
 1. THE UNSPECIFIED DIMENSION ARE SAME AS SHEET 1.
 2. PACKAGE SPEC. REFER TO PACKAGE DRAWING 2086589901.

THIS DRAWING CONTAINS INFORMATION THAT IS PROPRIETARY TO MOLEX ELECTRONIC TECHNOLOGIES, LLC AND SHOULD NOT BE USED WITHOUT WRITTEN PERMISSION															
DIMENSION UNITS		SCALE		CURRENT REV DESC:											
mm		NTS													
GENERAL TOLERANCES (UNLESS SPECIFIED)															
ANGULAR TOL ± 3.0°															
4 PLACES		±		EC NO: 668949											
3 PLACES		±		DRWN: XQZHANG		2021/11/09									
2 PLACES		± 0.25		CHK'D: AYIN		2022/01/20									
1 PLACE		± 0.25		APPR: AYIN		2022/01/20									
0 PLACES		±		INITIAL REVISION:											
				DRWN: XQZHANG		2021/11/09									
				APPR: AYIN		2022/01/20									
DRAFT WHERE APPLICABLE MUST REMAIN WITHIN DIMENSIONS				THIRD ANGLE PROJECTION		DRAWING		SERIES		MATERIAL NUMBER		CUSTOMER		SHEET NUMBER	
						A3-SIZE		208658		SEE TABLE		GENERAL MARKET		2 OF 3	

molex

HDMI FOR INSERT-MOLD TYPE

PRODUCT CUSTOMER DRAWING

DOCUMENT NUMBER	DOC TYPE	DOC PART	REVISION
2086581000	PSD	000	A

MOLEX P/N	DIMENSION		FEATURE				GOLD PLATING IN CONTACT AREA	SHELL MATERIAL			
	DIM. A	DIM. B	FLANGE	BACK COVER	TOPE HOLES	MYLAR					
208658-1001	1.8	2.2	W/O	WITH	WITH	W/O	GOLD PLATING 0.76 MICROMETER	SUS304			
208658-1051							GOLD FLASH				
208658-1061	1.8	2.2					W/O		WITH	WITH	GOLD PLATING 0.76 MICROMETER
208658-1081											GOLD FLASH
208658-1101	1.45	1.45					W/O		WITH	WITH	GOLD PLATING 0.76 MICROMETER
208658-8131	2.2	2.2									GOLD PLATING 0.76 MICROMETER

PLATING:

(1) TERMINAL:

CONTACT AREA BE SEEN TABLE AS ABOVE;
 SOLDER TAIL AREA GOLD FLASH PLATING.
 UNDER PLEATING: 1.27 MICROMETER MIN. NICKEL.

(2) SHELL:

1.25~3.75 MICROMETER SOLDERABLE NICKEL PLATING AT SOLDER TAIL AREA
 0.75 MICROMETER MIN. SOLDERABLE NICKEL PLATING AT OTHER AREA.

THIS DRAWING CONTAINS INFORMATION THAT IS PROPRIETARY TO MOLEX ELECTRONIC TECHNOLOGIES, LLC AND SHOULD NOT BE USED WITHOUT WRITTEN PERMISSION										
DIMENSION UNITS	SCALE	CURRENT REV DESC:					molex			
mm	NTS									
GENERAL TOLERANCES (UNLESS SPECIFIED)							HDMI FOR INSERT-MOLD TYPE			
ANGULAR TOL	± 3.0 °						PRODUCT CUSTOMER DRAWING			
4 PLACES	±	EC NO: 668949				DOCUMENT NUMBER				
3 PLACES	±	DRWN: XQZHANG	2021/11/09			2086581000				
2 PLACES	± 0.25	CHK'D: AYIN	2022/01/20			DOC TYPE	DOC PART	REVISION		
1 PLACE	± 0.25	APPR: AYIN	2022/01/20			PSD	000	A		
0 PLACES	±	INITIAL REVISION:								
DRAFT WHERE APPLICABLE MUST REMAIN WITHIN DIMENSIONS		THIRD ANGLE PROJECTION	DRAWING	SERIES	MATERIAL NUMBER	CUSTOMER		SHEET NUMBER		
			A3-SIZE	208658	SEE TABLE	GENERAL MARKET		3 OF 3		