

Technical specification:

| | |
|-------------------------------------|---------------------------|
| Rated voltage: IEC 61076-2-101 | 3pos 250 V |
| Current rating: IEC 61076-2-101 | 4 A at 40°C |
| Insulation resistance: IEC 60512 | >=100 MΩ |
| Pollution degree: IEC 60664-1 | 3/2 |
| Degree of protection: IEC 60529 | IP 67, in mated condition |
| Temperature range: IEC 60664-1 | -30°C ... +80°C |
| Mating cycles: IEC 60512-9a | >=100 |

Materials:

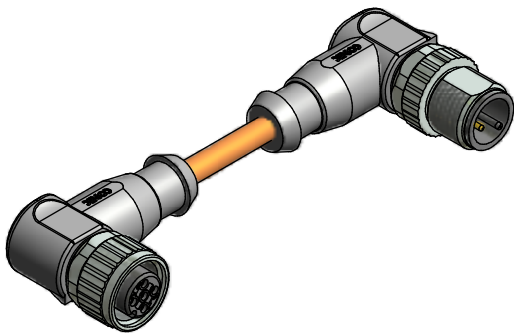
| | |
|-------------------------|----------------------|
| Contact: | CuZn |
| Contact plating: | Nickel, gold plated |
| Contact carrier: | TPU GF, UL 94 |
| Sealing: | FPM |
| Coupling nut/ screw: | GD-Zn, nickel plated |
| Moulding body: | TPU, UL 94, grey |

Installation specification:

| | |
|--------------------------|---|
| Recommended torque: | 0,6 Nm |
| Conec installation tool: | Torque wrench: 36-000200 Insert across flats 13: 36-000220 |

Contact assignment:

- 1) brown —■
- 3) blue —■
- 4) black —■



| Part no: | Description: | Length L: | Cable: |
|----------|---|-----------|---|
| 43-14661 | SAL - 12 - RKW3 - RSW3 - 0,3 / J1 / A1090 | 0,3m | TPU, UL 20549, orange, 3x0,34mm ² Cable: 781-J13300 |
| 43-14662 | SAL - 12 - RKW3 - RSW3 - 0,6 / J1 / A1090 | 0,6m | |
| 43-14663 | SAL - 12 - RKW3 - RSW3 - 1,5 / J1 / A1090 | 1,5m | |
| 43-14664 | SAL - 12 - RKW3 - RSW3 - 3,0 / J1 / A1090 | 3m | |
| 43-xxxxx | SAL - 12 - RKW3 - RSW3 - ... / J1 / A1090 | x | |

D see data sheet cable

| | | | | | | | | | | | | | |
|---|-------------------------------------|--|----------|--|--|------|------|-------|----------|-------|-------|----------|---------|
| DO NOT ALTER CAD DRAWING BY HAND | Directive 2002/95/EC RoHS compliant | dim. in mm | | title: Connecting cable M12x1, female connector angled - male connector angled | | | | | | | | | |
| | | <table border="1" style="margin: auto;"> <tr> <td></td> <td>date</td> <td>name</td> </tr> <tr> <td>drawn</td> <td>18.01.11</td> <td>Franz</td> </tr> <tr> <td>appd.</td> <td>18.01.11</td> <td>Mankopf</td> </tr> </table> | | | | date | name | drawn | 18.01.11 | Franz | appd. | 18.01.11 | Mankopf |
| | | | date | name | | | | | | | | | |
| | | drawn | 18.01.11 | Franz | | | | | | | | | |
| appd. | 18.01.11 | Mankopf | | | | | | | | | | | |
| tolerance of cable: L ≤ 4m: L + 40mm L > 4m: L + 1% | | part no: <div style="text-align: center; font-size: 1.2em; font-weight: bold;">see table</div> | | | | | | | | | | | |
| THIS DRAWING MAY NOT BE COPIED OR REPRODUCED IN ANY WAY, AND MAY NOT BE PASSED ON TO A THIRD PARTY WITHOUT WRITTEN PERMISSION. OWNERSHIP AND COPYRIGHT OF CONEC GmbH | | | | | | | | | | | | | |