

This drawing involves proprietary design rights of Tyco Electronics Corporation, and all design, manufacture, reproduction, use and sale rights regarding the same are expressly reserved. It is submitted for a specific purpose and the recipient by accepting this drawing, assumes custody and control and agrees to take reasonable precautions; (a) that this drawing will not be copied and reproduced, in whole or in part, or its contents revealed in any manner, or to any person except to meet the purpose for which it was delivered and (b) that any special features peculiar to this design will not be incorporated in other projects without the expressed written permission of Tyco Electronics Corporation.

REVISIONS			
EC	REV	DESCRIPTION	DATE
—	A	NEW RELEASE	06/02/05

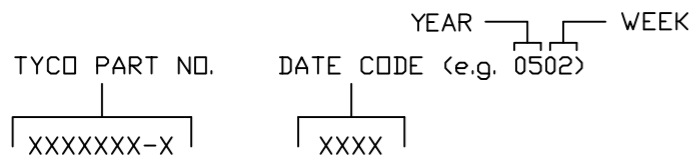
6. MODULE INFORMATION

CONNECTOR	TYCO PART NUMBER	CATALOG MODULE #	QTY	SIZE NO.	CONTACT QTY	MATING PIN	MAX. CURRENT (PER CONTACT)	CONTACT SPACING	VOLTAGE RATING*	
PIN	1766686-1	FP0151	3	8	3	1.25 X 7.00 [.049 X .276]	35 AMPERES	7.50 [.2953]	250 VOLTS	
		FP0152	3		3					
		FP0155	3	8	3	1.25 X 7.00 [.049 X .276]	35 AMPERES	12.00 [.4724]	600 VOLTS	
		FP0156	1		1					
		FP0302	2	22	48	.64 [.025] SQ.	3 AMPERES	2.50 [.0984]	125 VOLTS	
		FP0506	2	RIGHT ANGLE GUDE SOCKET						
		FP0500	1	LEFT MOUNTING FLANGE						
		FP0501	1	RIGHT MOUNTING FLANGE						

*IAW IEC-950

NOTES: UNLESS OTHERWISE SPECIFIED.

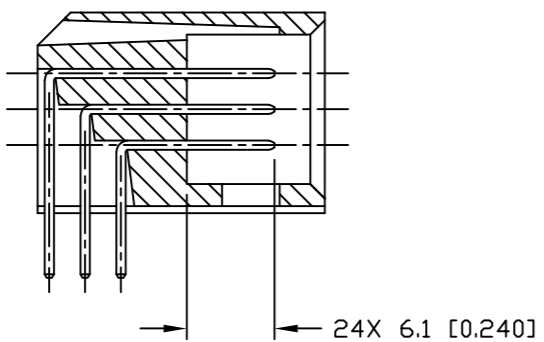
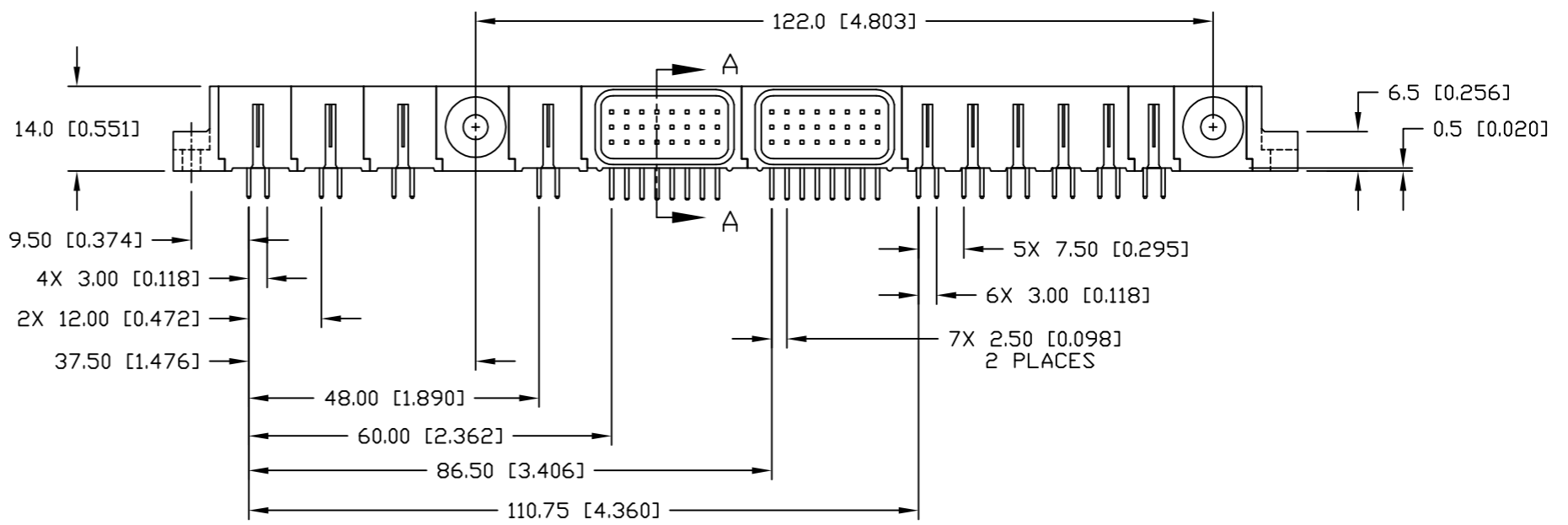
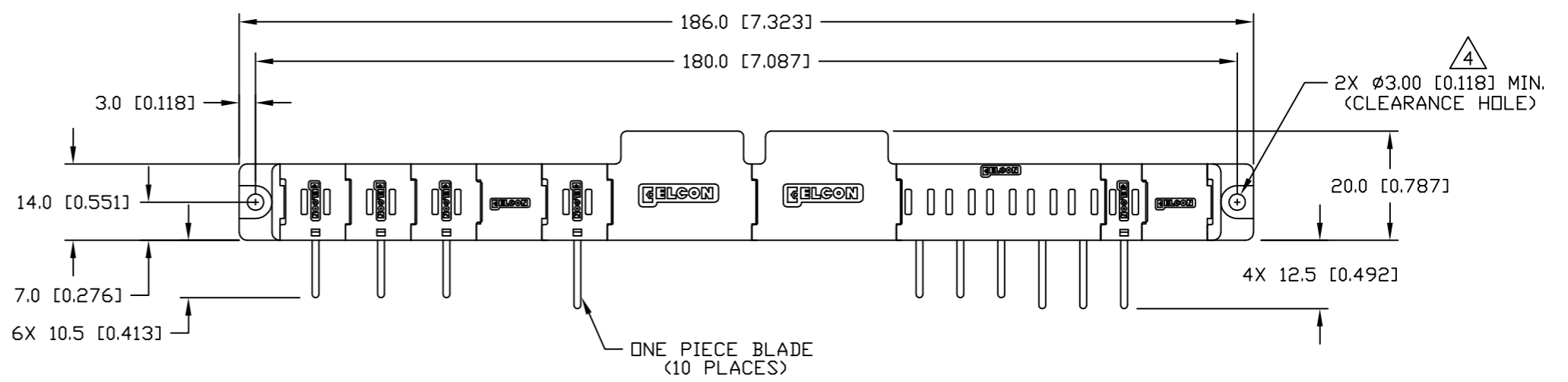
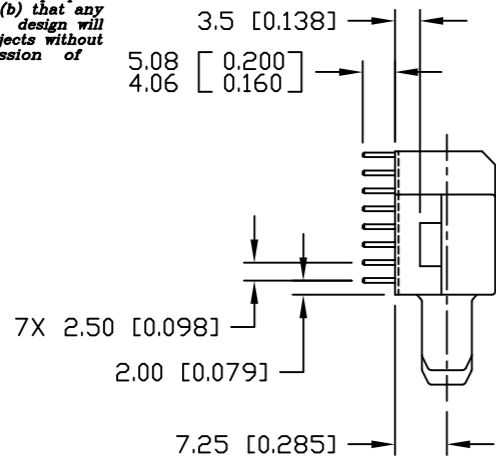
- PART NUMBER CHANGES AND OR DESIGN CHANGES AFFECTING ITEM INTERCHANGEABILITY REQUIRE PRIOR ELCON APPROVAL AND AUTHORIZATION BY REVISION TO THIS DRAWING.
- MATERIALS:
 - INSULATORS: THERMOPLASTIC, GLASS REINFORCED, COLOR-BLACK, UL94V-0 FLAMMABILITY RATED.
 - SOLDER SIGNAL PIN: BRASS ALLOY.
 - POWER CONTACTS: COPPER ALLOY.
- FINISHES:
 - CONTACTS: GOLD PLATED PER MIL-G-45204 TYPE II, CLASS 0, .000030" MIN. THICK OVER NICKEL PER QQ-N-290, CLASS 2, .000040" MIN. THICKNESS.
 - TERMINALS: TIN PLATED, MATTE FINISH 000100" MIN. THICKNESS.
- MOUNTING FLANGES ACCEPT M3 OR NO. 4 SCREWS, (USER SUPPLIED)
- ITEMS PROVIDED TO THIS SPECIFICATION TO BE PERMANENTLY IDENTIFIED PER THE FOLLOWING IDENTIFIER:



<p>THIRD ANGLE PROJECTION</p> <p>UNLESS OTHERWISE SPECIFIED DIMENSIONS ARE IN METRIC [INCHES]</p> <p>TOLERANCES</p> <p>ANGLES ± .5°</p> <p>DECIMALS</p> <p>.XX ± .25 [.010]</p> <p>.X ± .5 [.020]</p>	<p>MM OR MM [INCH]</p> <p>INCH</p>	<p>DRAWN</p> <p>R. F. A.</p>	<p>DATE</p> <p>06/02/05</p>	<p>Tyco Electronics Corporation Menlo Park, Ca 94025</p>
	<p>CHECKED</p>	<p>APPROVED</p>	<p>APPROVED</p>	<p>TITLE</p> <p>CONNECTOR, PIN, RIGHT ANGLE STANDARD SOLDER TAILS FLATPAQ</p>
	<p>D. CHAU</p>	<p>DCA APPROVED</p>	<p>06/28/05</p>	<p>06/29/05</p>
	<p>M. ALIM</p>	<p>ACAD FILE NUMBER</p> <p>C1766686A.DWG</p>	<p>SIZE</p> <p>B</p>	<p>DWG NUMBER</p> <p>C = 1766686</p>
			<p>REV.</p> <p>A</p>	<p>DWG SCALE 1=1</p>
			<p>SH 1 OF 4</p>	

This drawing involves proprietary design rights of Tyco Electronics Corporation, and all design, manufacture, reproduction, use and sale rights regarding the same are expressly reserved. It is submitted for a specific purpose and the recipient by accepting this drawing, assumes custody and control and agrees to take reasonable precautions; (a) that this drawing will not be copied and reproduced, in whole or in part, or its contents revealed in any manner, or to any person except to meet the purpose for which it was delivered and (b) that any special features peculiar to this design will not be incorporated in other projects without the expressed written permission of Tyco Electronics Corporation.

REVISIONS			
EC	REV	DESCRIPTION	DATE
		SEE SHEET 1	

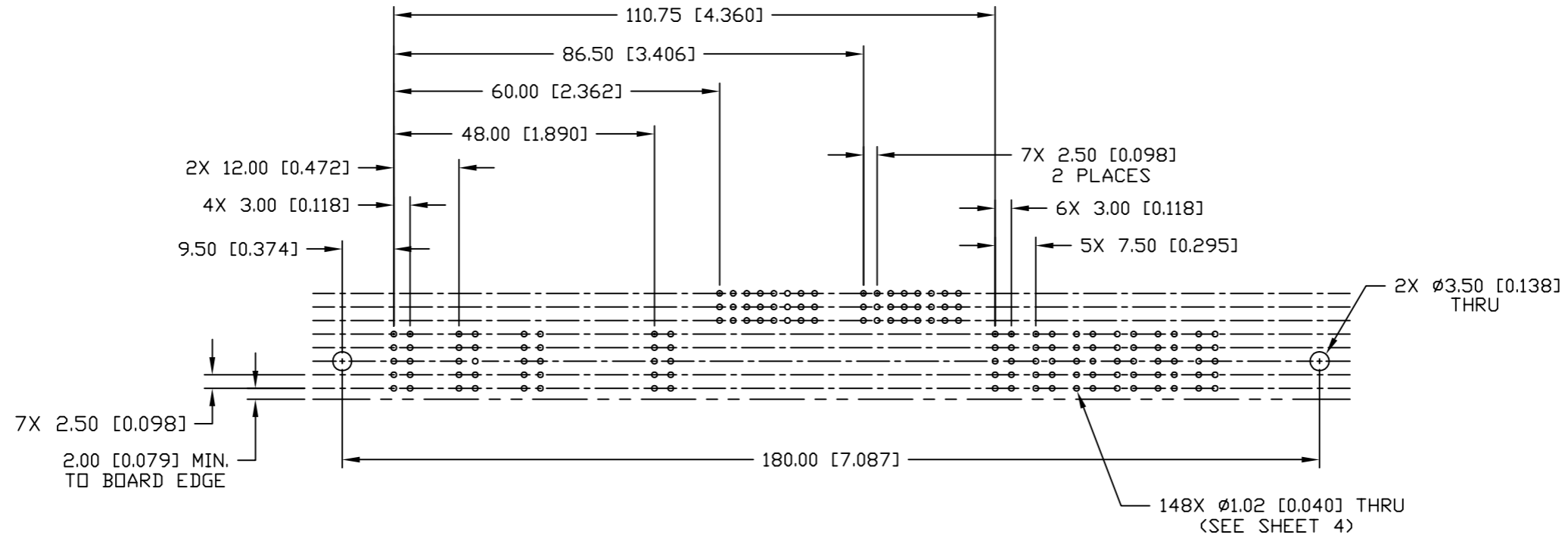


SECTION A-A
2 PLACES

← MM INCH → OR MM [INCH] THIRD ANGLE PROJECTION UNLESS OTHERWISE SPECIFIED DIMENSIONS ARE IN METRIC [INCHES] TOLERANCES ANGLES ± .5° DECIMALS .XX ± .25 [.010] .X ± .5 [.020]	DRAWN R. F. A.	DATE 06/02/05	Tyco Electronics Corporation Menlo Park, Ca 94025 	
	CHECKED	APPROVED		TITLE CONNECTOR, PIN, RIGHT ANGLE STANDARD SOLDER TAILS FLATPAQ
	APPROVED	APPROVED D. CHAU	DATE 06/28/05	SIZE B
	DCA APPROVED M. ALIM	DATE 06/29/05	DWG NUMBER C = 1766686	REV. A
ACAD FILE NUMBER C1766686A.DWG		DWG SCALE 1=1	SH 2 OF 4	

This drawing involves proprietary design rights of Tyco Electronics Corporation, and all design, manufacture, reproduction, use and sale rights regarding the same are expressly reserved. It is submitted for a specific purpose and the recipient by accepting this drawing, assumes custody and control and agrees to take reasonable precautions; (a) that this drawing will not be copied and reproduced, in whole or in part, or its contents revealed in any manner, or to any person except to meet the purpose for which it was delivered and (b) that any special features peculiar to this design will not be incorporated in other projects without the expressed written permission of Tyco Electronics Corporation.

REVISIONS			
EC	REV	DESCRIPTION	DATE
		SEE SHEET 1	

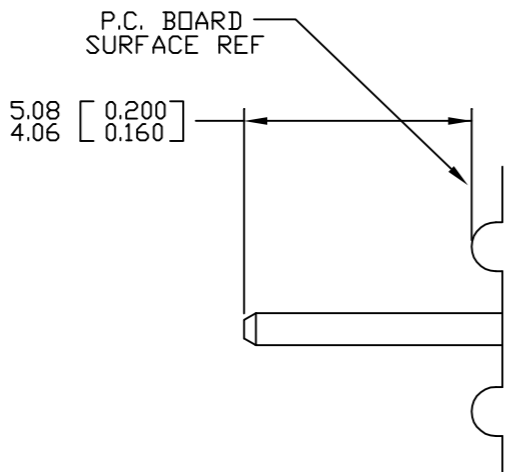


PRINTED CIRCUIT LAYOUT

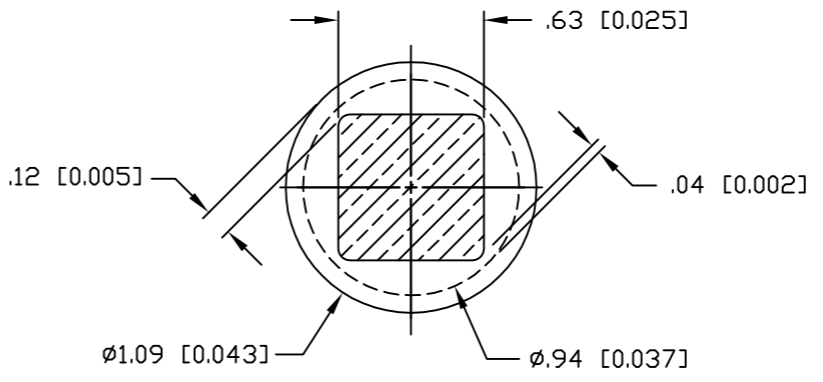
<p>← MM OR MM [INCH]</p> <p>THIRD ANGLE PROJECTION</p> <p>UNLESS OTHERWISE SPECIFIED DIMENSIONS ARE IN METRIC [INCHES]</p> <p>TOLERANCES</p> <p>ANGLES ± .5°</p> <p>DECIMALS</p> <p>.XX ± .25 [.010]</p> <p>.X ± .5 [.020]</p>	<p>DRAWN</p> <p>R. F. A.</p>	<p>DATE</p> <p>06/02/05</p>	<p>tyco Tyco Electronics Corporation ELCON</p> <p>Electronics Menlo Park, Ca 94025</p>	
	<p>CHECKED</p>		<p>TITLE</p> <p>CONNECTOR, PIN, RIGHT ANGLE STANDARD SOLDER TAILS FLATPAQ</p>	
	<p>APPROVED</p>			
	<p>APPROVED</p> <p>D. CHAU</p> <p>06/28/05</p>	<p>APPROVED</p> <p>M. ALIM</p> <p>06/29/05</p>	<p>SIZE</p> <p>B</p>	<p>DWG NUMBER</p> <p>C = 1766686</p>
<p>ACAD FILE NUMBER C1766686A.DWG</p>		<p>DWG SCALE 1=1</p>	<p>SH 3 OF 4</p>	

This drawing involves proprietary design rights of Tyco Electronics Corporation, and all design, manufacture, reproduction, use and sale rights regarding the same are expressly reserved. It is submitted for a specific purpose and the recipient by accepting this drawing, assumes custody and control and agrees to take reasonable precautions; (a) that this drawing will not be copied and reproduced, in whole or in part, or its contents revealed in any manner, or to any person except to meet the purpose for which it was delivered and (b) that any special features peculiar to this design will not be incorporated in other projects without the expressed written permission of Tyco Electronics Corporation.

REVISIONS			
EC	REV	DESCRIPTION	DATE
		SEE SHEET 1	



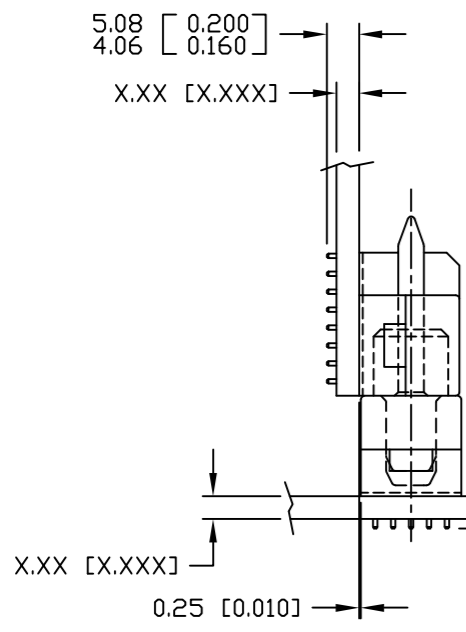
SOLDER PIN DETAIL



SOLDER TERMINATION AREA

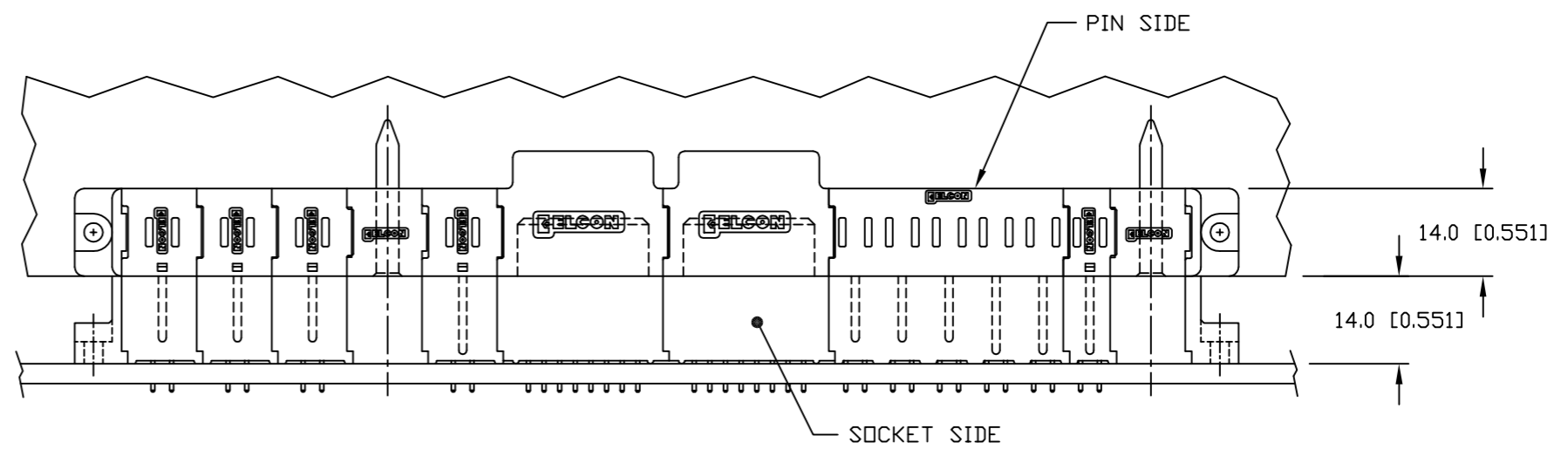
RECOMMENDED PRINTED CIRCUIT HOLE

- FINISHED HOLE: $\phi 1.02 [0.040] \pm .08 [0.003]$
- DRILLED HOLE: $\phi 1.15 [0.0453] \pm .013 [0.0005]$
- COPPER PLATE: .025 [0.0010] MINIMUM (PER SURFACE)
- TIN PLATE: .008 [0.0003] MINIMUM (PER SURFACE)



5.08 [0.200]
4.06 [0.160]

MATED CONDITION



MM INCH OR MM [INCH] THIRD ANGLE PROJECTION UNLESS OTHERWISE SPECIFIED DIMENSIONS ARE IN METRIC [INCHES] TOLERANCES ANGLES $\pm .5^\circ$ DECIMALS .XX $\pm .25 [0.010]$.X $\pm .5 [0.020]$	DRAWN R. F. A. CHECKED	DATE 06/02/05	tyco Tyco Electronics Corporation Electronics Menlo Park, Ca 94025 ELCON	
	APPROVED D. CHAU DCA APPROVED M. ALIM	DATE 06/28/05 06/29/05		TITLE USER INFORMATION SOLDER TAIL TERMINATION AND MATED CONDITION
	ACAD FILE NUMBER C1766686A.DWG	SIZE B	DWG NUMBER C = 1766686	REV. A
	DWG SCALE 1 = 1		SH 4 OF 4	