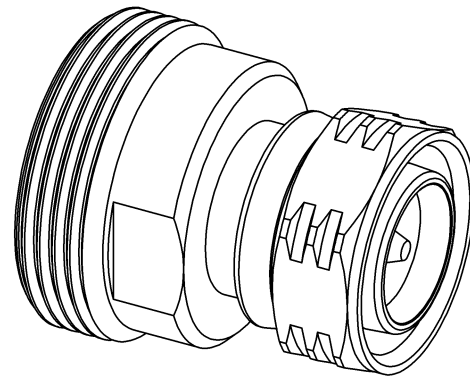
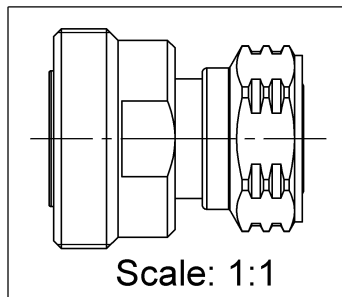
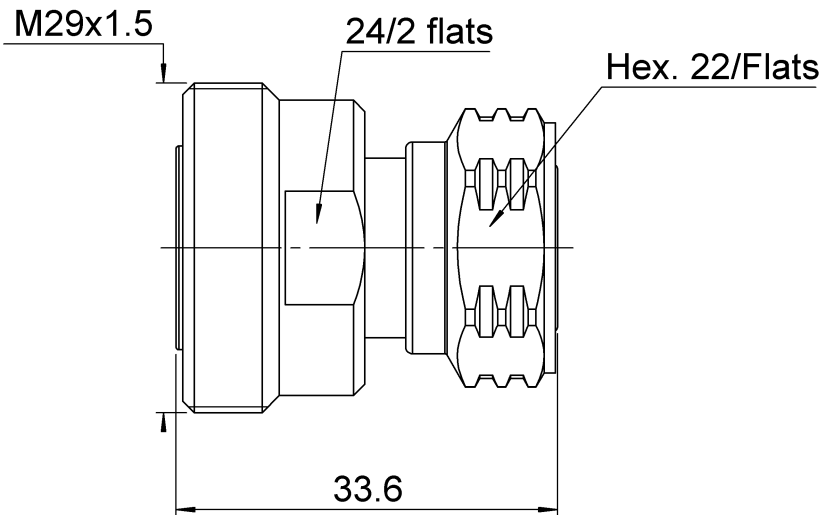
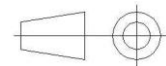


PAGE 1/2	ISSUE 1451A	SERIES ADAPTER	PART NUMBER <b>R191592017</b>
----------	-------------	-------------------	-------------------------------



All dimensions are in mm.



COMPONENTS	MATERIALS	PLATING (µm)
Body	<b>BRASS</b>	<b>BBR</b>
Center contact	<b>BRONZE</b>	<b>SILVER</b>
Outer contact	-	-
Insulator	<b>PTFE</b>	
Gasket	<b>EPDM</b>	
Others parts	<b>BRASS</b>	<b>BBR</b>
-	-	-
-	-	-

PAGE <b>2/2</b>	ISSUE <b>1451A</b>	SERIES <b>ADAPTER</b>	PART NUMBER <b>R191592017</b>
-----------------	--------------------	--------------------------	-------------------------------

PACKAGING

Standard	Unit	Other
<b>1</b>	<b>Contact us</b>	<b>Contact us</b>

ELECTRICAL CHARACTERISTICS

Impedance		<b>50</b>	Ω
Frequency		<b>0-6</b>	GHz
VSWR	<b>1.02</b>	<b>+</b>	<b>0.010</b> x F(GHz) Maxi
Insertion loss		<b>0.05</b>	√F(GHz) dB Maxi
RF leakage		<b>NA</b>	- F(GHz) dB Maxi
Voltage rating		<b>1000</b>	Veff Maxi
Dielectric withstanding voltage		<b>2500</b>	Veff mini
Insulation resistance		<b>5000</b>	MΩ mini

ENVIRONMENTAL

Operating	<b>-55~+90</b>	°C
Hermetic seal	<b>NA</b>	Atm.cm3/s
Panel leakage	<b>NA</b>	

MECHANICAL CHARACTERISTICS

Center contact retention			
Axial force – Mating End		<b>200</b>	N mini
Axial force – Opposite end		<b>30</b>	N mini
Torque		<b>NA</b>	N.cm mini
Recommended torque			
Mating	<b>7-16</b>	<b>0</b>	N.cm
	<b>4.3-10</b>	<b>500</b>	N.cm
		<b>0</b>	N.cm
Panel nut		<b>NA</b>	N.cm
Mating life		<b>100</b>	Cycles mini
Weight		<b>75.706</b>	g

SPECIFICATION

OTHER CHARACTERISTICS

**PIM3<=-123 dBm, 2 carriers of +43dBm**