

DS-270

OPS Intel Celeron J1900 Quad-Core SoC with Advanced NVIDIA GeForce GT730M Graphics up to 4K resolution

NEW



Features

- Intel Celeron J1900 low power Quad-Core SoC OPS platform
- Integrated NVIDIA GeForce GT 730M to support up to 4K2K resolution (3840 x 2160 @ 30Hz)
- Designed compliant with OPS (Open Pluggable Specification)
- Content management software built-in for content editing, scheduling and remote monitoring functions
- Slot-in Integration, easy maintenance

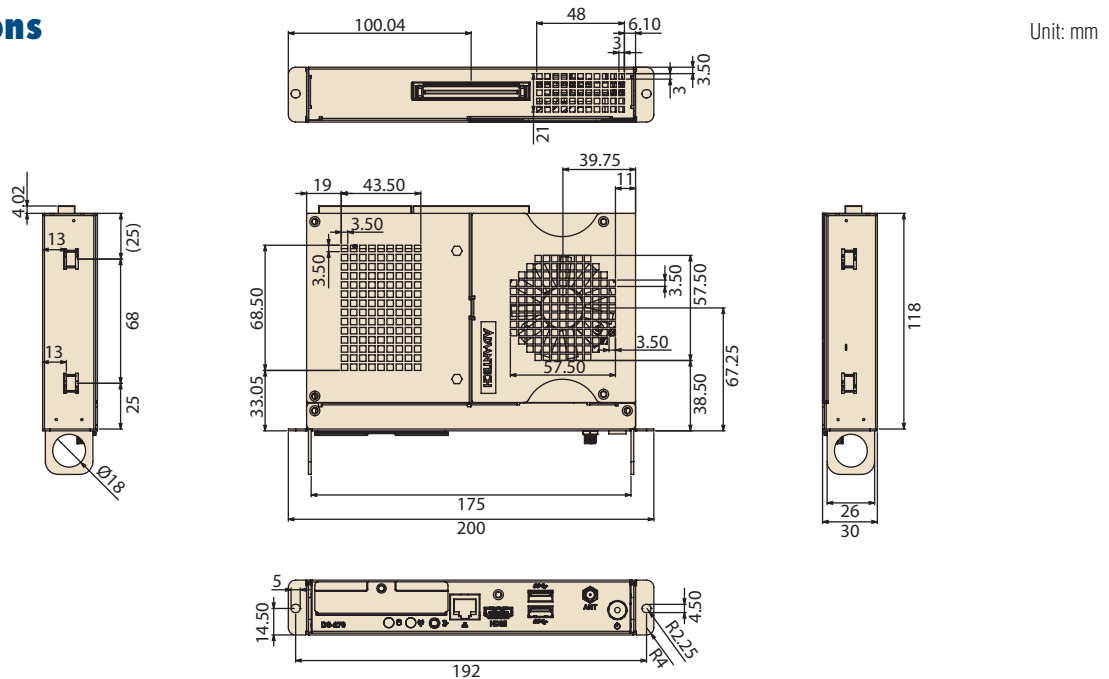


Specifications

Processor System	CPU	Intel Celeron J1900 QuadCore SoC 2.00GHz
	System Chipset	Integrated in CPU
	BIOS	AMI uEFI 64M bit
Memory	Technology	2 x DDR3L 204-pin SO-DIMM*
	Max. Capacity	8 GB (up to 4GB per each SO-DIMM)
Display	Chipset	NVIDIA GeForce GT730M
	Memory Size	Independent display memory 1024MB
	Resolution (Chipset support)	HDMI up to 3840 x 2160 @ 30Hz (Front); HDMI/ DP up to 3840 x 2160 @ 30Hz (via OPS interconnection)
	Video format	H.264, VC1, MPEG-1, MPEG-2, MPEG-4 Part 2SP, MPEG-4 ASP, WMV9, DivX3.11
Storage	SATA Interface	1 x 2.5-inch SATA II HDD/SSD (supports 7mm height only)
Ethernet	Interface	Gigabit LAN Controller
	Controller	Intel I211
	Connector	1 x RJ-45
I/O Interface	JAE Connector	1 (JAE TX25 80-pin)
	HDMI (front)	1
	LAN	1 (RJ-45)
	USB	2 (USB 3.0 compliant)
	Audio	1 x Line-out (supports Jack Sense via OS setting)
	Mini-PCIe (Internal)	1 (full size, support mSATA)
Power Requirement	Management	ACPI 3.0
	Power Consumption	Typical: 11.82W (w/o expansion); Max.: 21.84W (w/o expansion)
	Input Voltage	12V -24V DC-in (via OPS interconnection)
Watchdog Timer	Output	Interrupt, system reset
	Interval	Programmable by SUSIAccess
Physical Characteristics	Dimensions (W x H x D)	200 x 30 x 119 mm (OPS compliant)
	Weight	1.5 kg (3.3 lb.)
Environment	Operating Temperature	0° C ~ 40° C (32~104° F) w/ HDD; 0° C - 50° C (32~122° F) w/ SSD
	Relative Humidity	95% @ 40° C (non-condensing), operating
	Vibration Resistance	0.2Grms, IEC 60068-2-64, random, 5-500 Hz, 1 Oct./ min, 1hr/ axis (w/ HDD)
Software Development Kit	Operating System	Windows 8 (64bit), Windows 7 (64bit), Linux (by project)
	Remote Device Management	SUSIAccess
	System Recovery	Acronis
	Anti-Virus	McAfee
Certification	Electromagnetic	CE, FCC Class B, BSMI, C-Tick
	Safety	UL, CB, CCC, BSMI

*If only one RAM, please insert it into SO-DIMM 1 slot and boot up.

Dimensions



External I/O

Front



Back



Packing List

Part number	Description
-	1x DS-270 unit
-	1x China RoHS
-	1x Simplified user manual

Embedded OS

Part number	Description
2070013497	Img DS-270 (J1900) WES7E x64 5.6.8 EN, JP, TC, SC; SA
2070013498	Img DS-270 (J1900) WES7P x64 5.6.6 EN, JP, TC, SC; SA
2070013455	Img WE8S DS-270GQ-S6A1E x64 V6.5.2 10multi

Before the OS installation, the OS selection should be set and matched what OS applied from BIOS.

Ordering Information

Part number	Description
DS-270GB-S6A1E	DS-270, J1900+nV GT730M, Barebone
DS-270GF-S6A1E	DS-270, J1900+nV GT730M, 2G RAM, 64G SSD

Optional Items

Part number	Description
AMO-I013E	Docking Board, OPS JAE TX24/DC-in Jack/HDMI/DP/COM/USB
AMO-WIFI06E	Realtek/wifi 802.11bgn/miniPCle, cable,antenna
AMO-HSDPA02E	U-blox/HSDPA 6band/miniPCle,cable,antenna