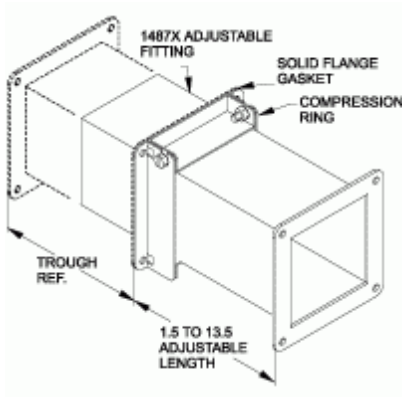




Quality Products. Service Excellence.

Adjustable Fitting *1487X Series*



- Allows on site length adjustment of 1.5" to 13.5"

| Part No. | Size |
|----------|-----------|
| 1487BX | 2.5 x 2.5 |
| 1487CX | 4 x 4 |
| 1487DX | 6 x 6 |
| 1487EX | 8 x 8 |

Does not meet CSA or UL requirements

Tags: adjustable fitting, telescoping, 1487, wireway

Data subject to change without notice



© 2023. Hammond Manufacturing Ltd. All rights reserved.