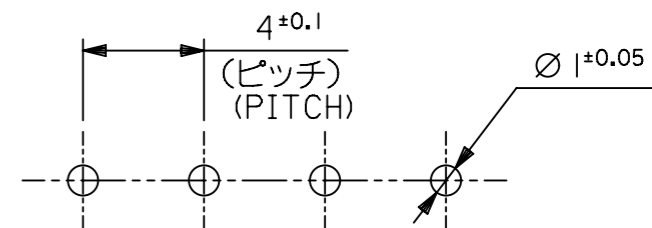


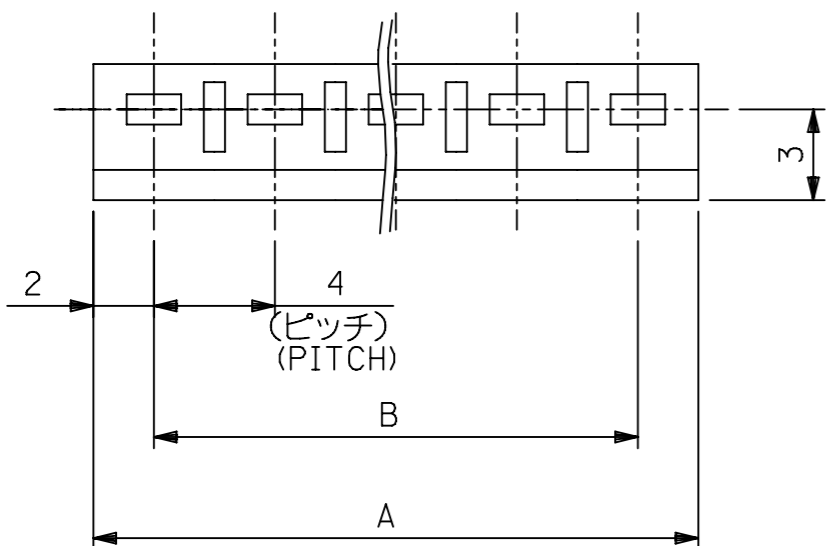
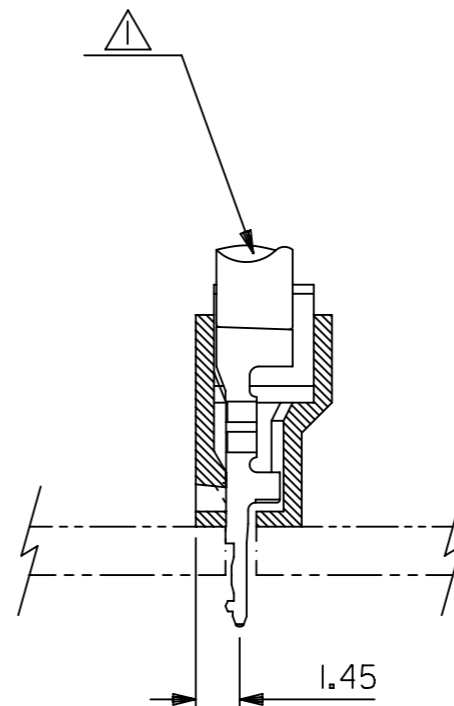
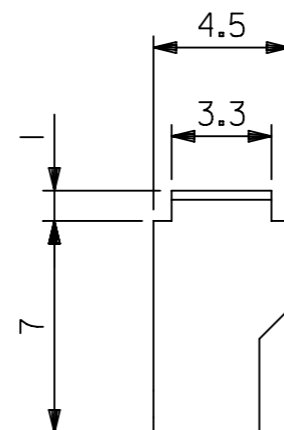
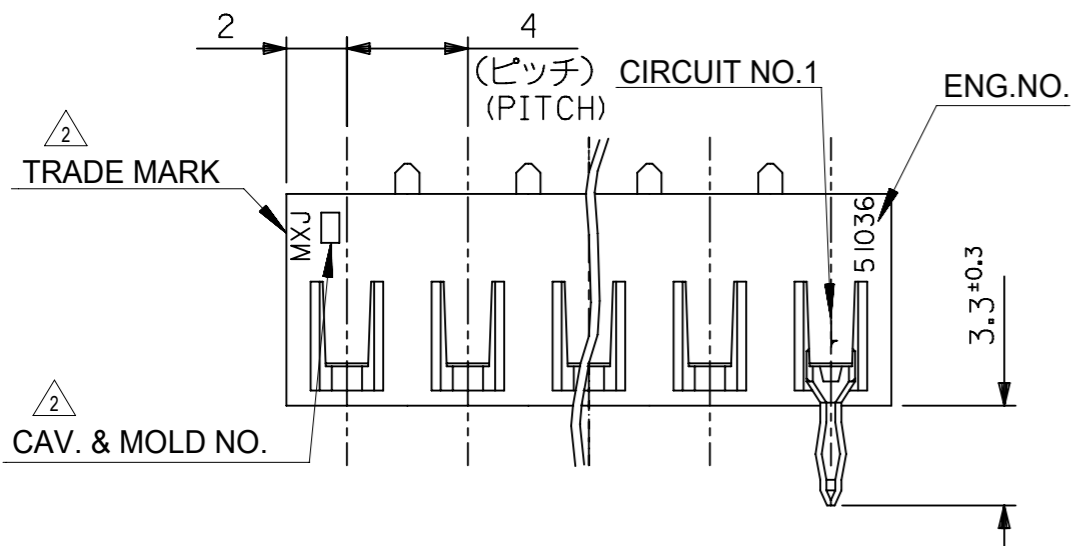
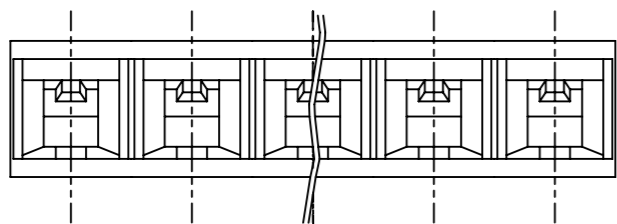
注記  
NOTE

- ① 適合ターミナル : 500978\*00  
APPLICABLE : 500978\*00
- ② トレ - ドマーク : MXJにて表示。  
キャビティー番号 : 1桁から2桁の数字にて表示。 金型番号 : アルファベット1文字にて表示。  
TRADE MARK IS FORMED BY MXJ.  
AND BY 1-2 DIGIT NUMBER (TO CAVITY NO.)  
AND BY 1 LETTER OD ALPHABET (TO MOLD NO.)
- ③ ELV及びRoHS適合品  
ELV AND RoHS COMPLIANT.

(公差非累積)  
(NON-ACCUMULATIVE)



基板取付穴推奨寸法(基板厚: 1.6mm)  
RECOMMENDED PC BOARD  
HOLE DIMENSION  
(THICKNESS: 1.6mm)



56	60	51036	1500	15
44	48	↑	1200	12
40	44		1100	11
36	40		1000	10
32	36		0900	9
28	32		0800	8
24	28		0700	7
20	24		0600	6
16	20		0500	5
12	16		0400	4
8	12	↓	0300	3
4	8		51036	0200
B	A		ENG.NO.	極数 CKT.

材料 MATERIAL	POLYAMIDE,UL94V-0	
適用電線範囲 WIRE RANGE	AWG#22 ~ 18,AV0.5 ~ 0.85 AVS0.3 ~ 0.85	
被覆外径 INS. RANGE	Ø1.8 ~ 2.6	

GENERAL TOLERANCES (UNLESS SPECIFIED)	
10 <sup>UNDER</sup>	±0.2
10 <sup>OVER</sup> 30 <sup>UNDER</sup>	±0.25
30 <sup>OVER</sup>	±0.3
ANGULAR	±3°

THIS DRAWING CONTAINS INFORMATION THAT IS PROPRIETARY TO MOLEX ELECTRONIC TECHNOLOGIES, LLC AND SHOULD NOT BE USED WITHOUT WRITTEN PERMISSION

DIMENSION UNITS	SCALE	CURRENT REV DESC: OBSOLETE PART NUMBER
mm	4:1	
GENERAL TOLERANCES (UNLESS SPECIFIED)		EC NO: 632260
4 PLACES ±	MM INCH	DRWN: AKUMAR19 2020/01/30
3 PLACES ±		CHK'D: GGA 2020/02/28
2 PLACES ±		APPR: GGA 2020/02/28
1 PLACE ±		INITIAL REVISION:
0 PLACES ±		DRWN: KSAND 1996/06/30
ANGULAR TOL ± °		APPR: MENOMOTO 1996/06/30
DRAFT WHERE APPLICABLE MUST REMAIN WITHIN DIMENSIONS	THIRD ANGLE PROJECTION	DRAWING SERIES MATERIAL NUMBER CUSTOMER SHEET NUMBER
		A3-SIZE 51036 SEE TABLE GENERAL MARKET 1 OF 1

**molex**  
4.0 BOARD IN CONNECTOR HOUSING  
PRODUCT CUSTOMER DRAWING  
DOCUMENT NUMBER: SD-51036-001  
DOC TYPE: PSD  
DOC PART: 001  
REVISION: H