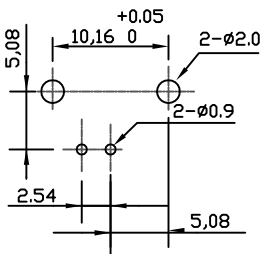
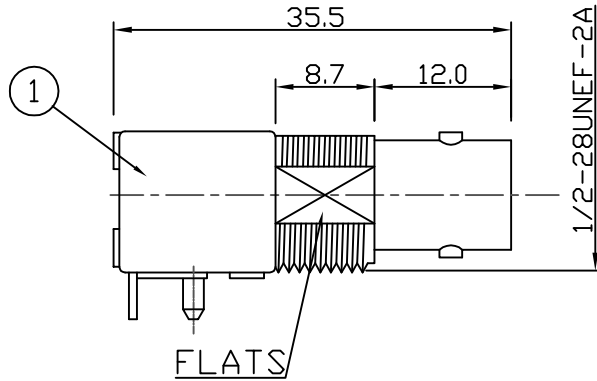
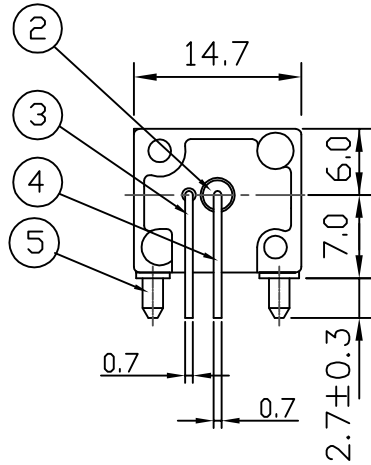
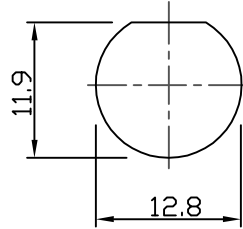


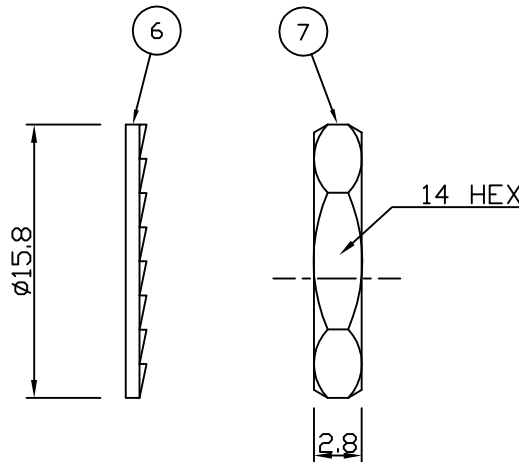
RoHS COMPLIANT



RECOMMENDED PCB LAYOUT



RECOMMENDED PANEL CUTOUT



Electrical Characteristics

Nominal Impedance:	75 ohms
Frequency Range:	DC to 1 GHz
VSWR:	1.3:1 maximum
Insertion Loss:	0.2 dB at 1 GHz
Operating Voltage (rms):	500 V maximum at sea level
Dielectric Withstand Voltage (rms):	1500 V maximum at sea level
Contact Resistance:	3.0 milliohms maximum
Insulation Resistance:	5000 megohms minimum

Mechanical Characteristics

Mating Cycles:	500 cycles minimum
Interface Dimensions:	Conform to MIL-C-39012

Environmental Characteristics

Temperature Range:	-55 °C to +85 °C
--------------------	------------------

REF.	DESCRIPTION	MATERIAL	PLATING
1	Body	Zink Alloy	Nickel
2	Insulator	Polypropylene	
3	Ground Terminal	Copper	Tin
4	Socket Contact	Phosphor Bronze	Gold / Tin
5	Mount Post	Brass	Tin > 5 Microns
6	Lock Washer	Brass	Nickel
7	Hex Nut	Brass	Nickel

Mounting Post length corrected	MS	4	1 Jun 09
Complete Update	KA	3	13 Mar 08
Plating thickness of mtg post added	MS	2	16 Nov 07
First Issue	SN	1	06 Feb 02
DESCRIPTION OF REVISION	APPVD	ISS	DATE



Cinch Connectivity Solutions
7-13 Russel Way,
Widford Industrial Estate,
Chelmsford, Essex,
CM1 3AA, UK.
Tel: +44 (0) 1245 359515
Fax: +44 (0) 1245 358938

SCALE: Not To Scale

DIMENSIONS: mm

TOLERANCES:
± 0.2mm unless
otherwise stated

DRAWN BY:

S Nash

CHECKED BY:

S Nash

APPROVED BY:

P Couzens

DATE:

06 Feb 02

TITLE:

BNC Right Angle PCB Mount
Jack Low Profile

PART NUMBER:

VBM211-75-1673

PAGE: 1 of 1