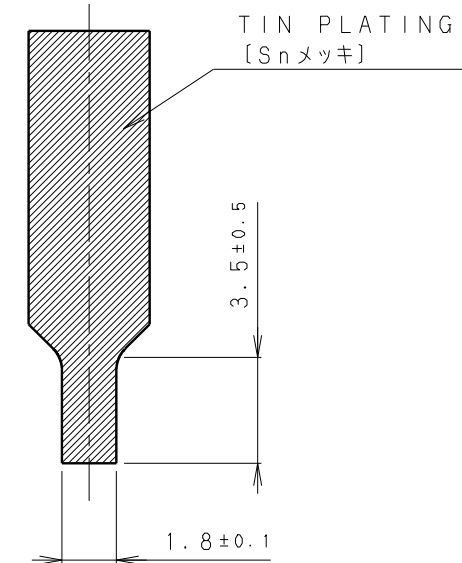
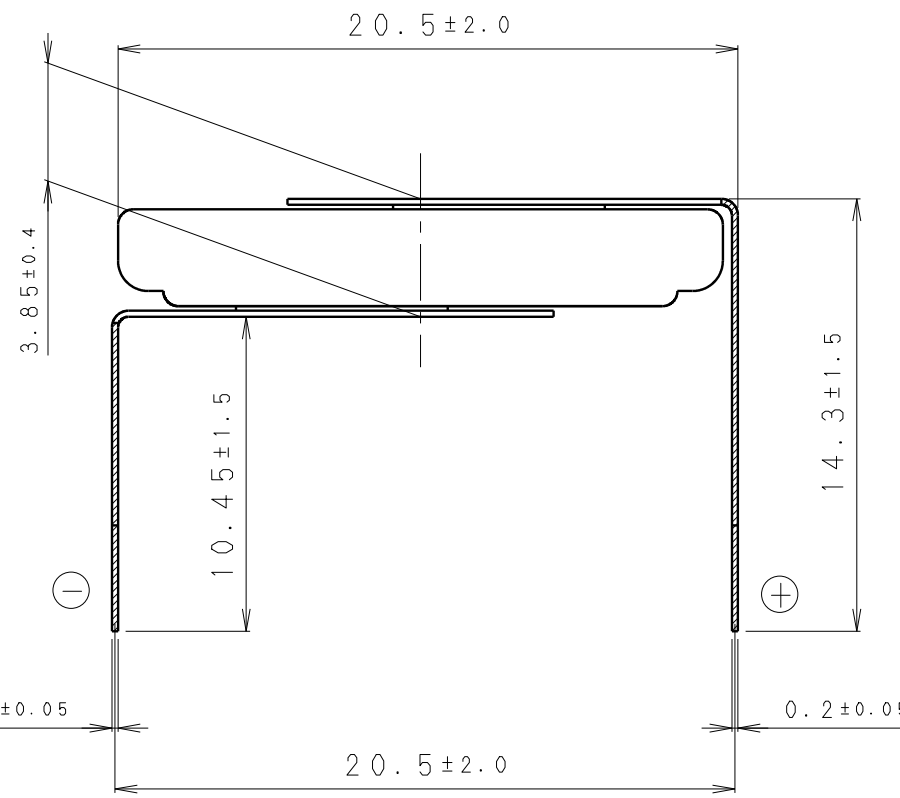
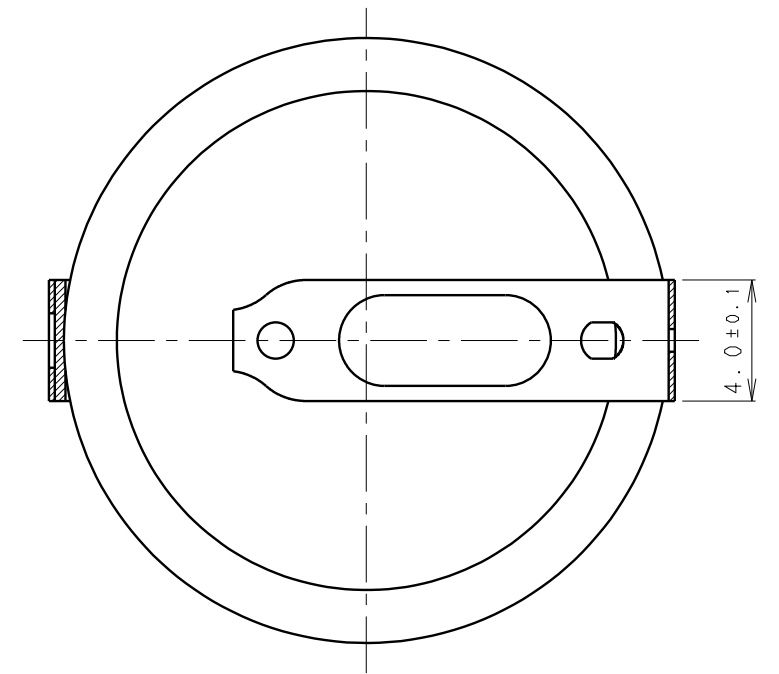
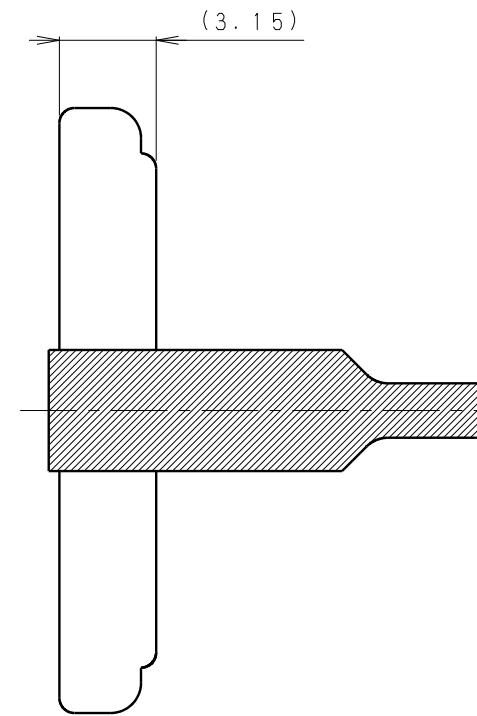
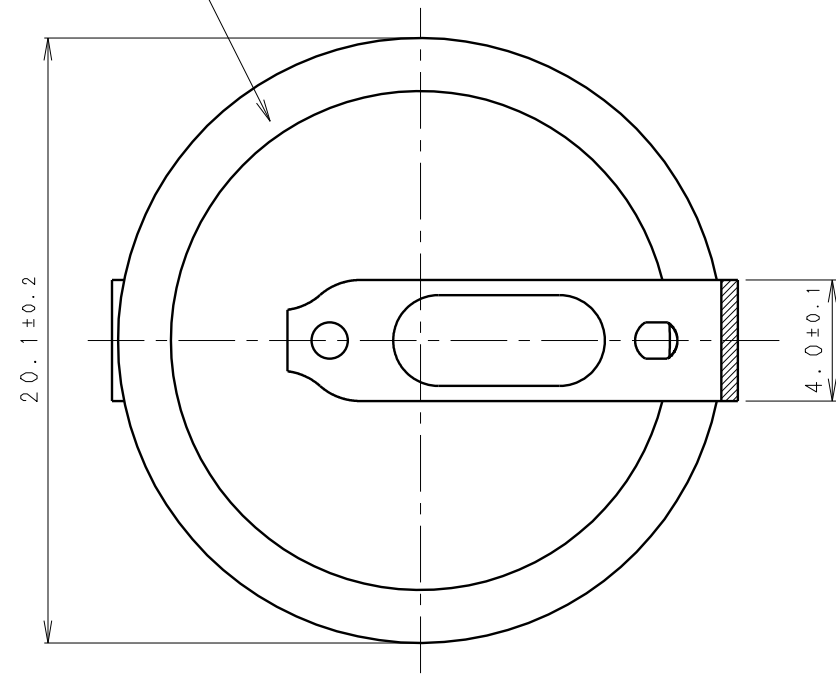


\* NOTE [注記]

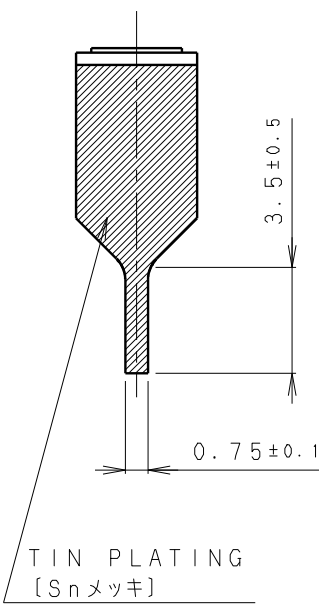
1. TAB PULLING STRENGTH OVER 19.6N [端子溶接強度: 19.6N以上]
2. TAB MATERIAL: STAINLESS STEEL WITH TIN PLATING [端子材料: 基材 ステンレス/表面 部分Snメッキ]
3. ( ): REFERENCE DIMENSION AND ANGLE [ ( ) 寸法、角度は参考値]

|             |             |       |         |
|-------------|-------------|-------|---------|
| PRODUCT NO. | BR-2032/HEN | SCALE | 4:1     |
| DRAWING NO. | PMHA1N      | REV.  | 0       |
|             |             |       | UNIT:mm |

INSULATOR (YELLOW)  
[絶縁チューブ (黄色)]



TIN PLATING  
[Snメッキ]

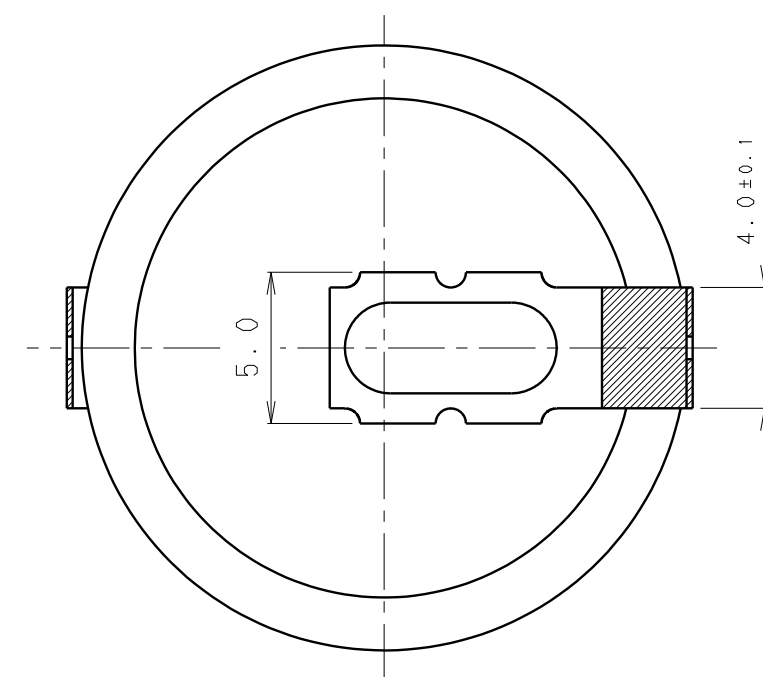
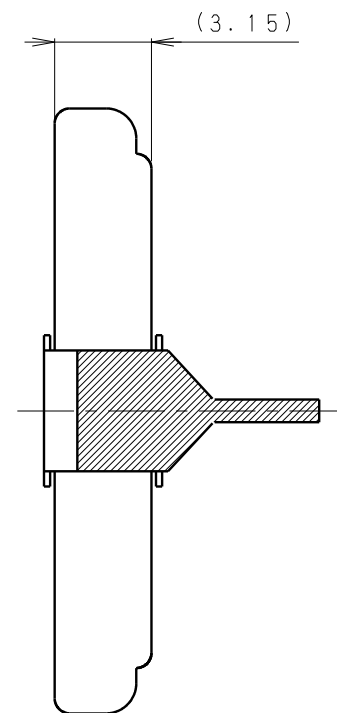
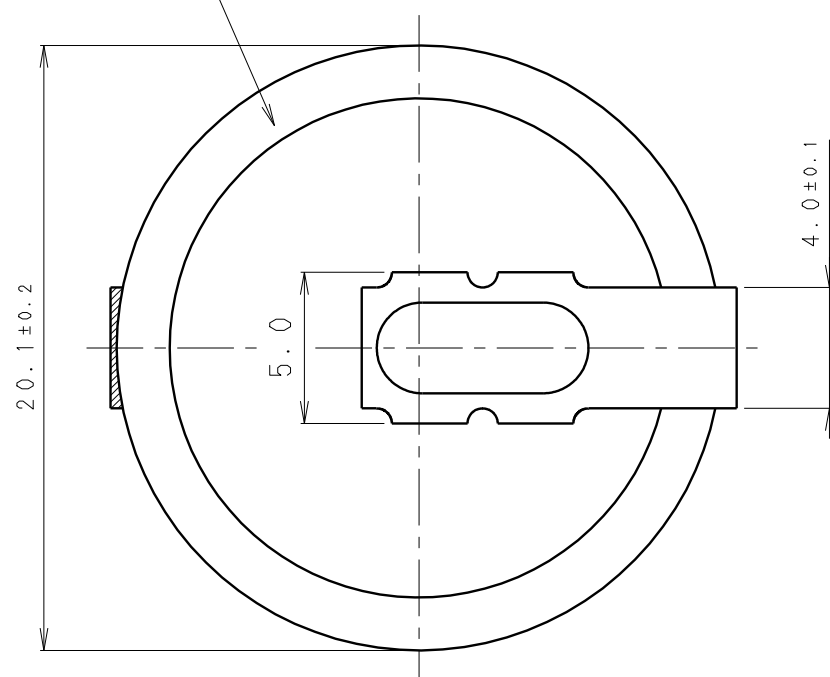


TIN PLATING  
[Snメッキ]

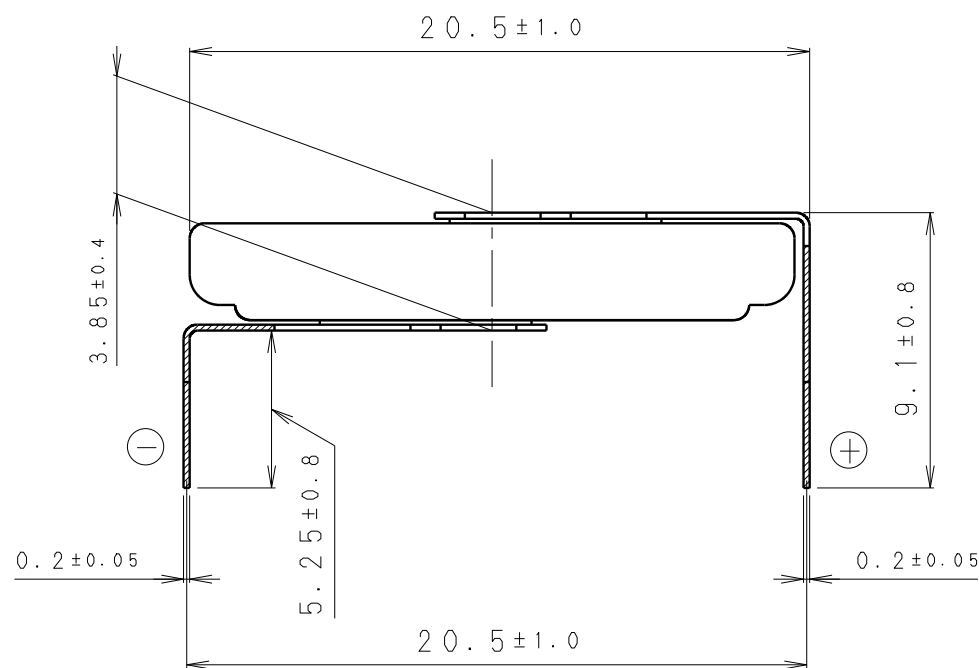
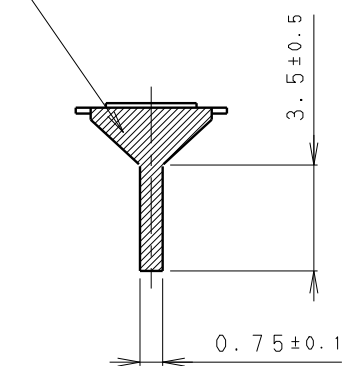
- \* NOTE [注記]
1. TAB PULLING STRENGTH OVER 19.6N [端子溶接強度: 19.6N以上]
  2. TAB MATERIAL: STAINLESS STEEL WITH TIN PLATING [端子材料: 基材 ステンレス/表面 部分Snメッキ]
  3. ( ): REFERENCE DIMENSION AND ANGLE [ ( ) 寸法、角度は参考値]

|             |             |       |          |
|-------------|-------------|-------|----------|
| PRODUCT NO. | BR-2032/HMN | SCALE | 4:1      |
| DRAWING NO. | PMHH1Z      | REV.  | 0        |
|             |             |       | UNIT: mm |

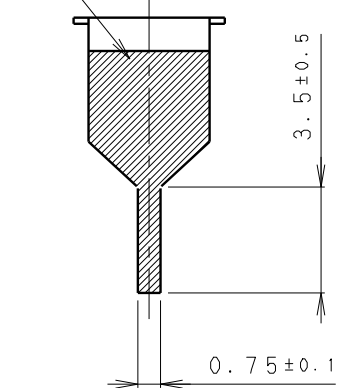
INSULATOR (YELLOW)  
[絶縁チューブ\* (黄色)]



TIN PLATING  
[Snメッキ]



TIN PLATING  
[Snメッキ]

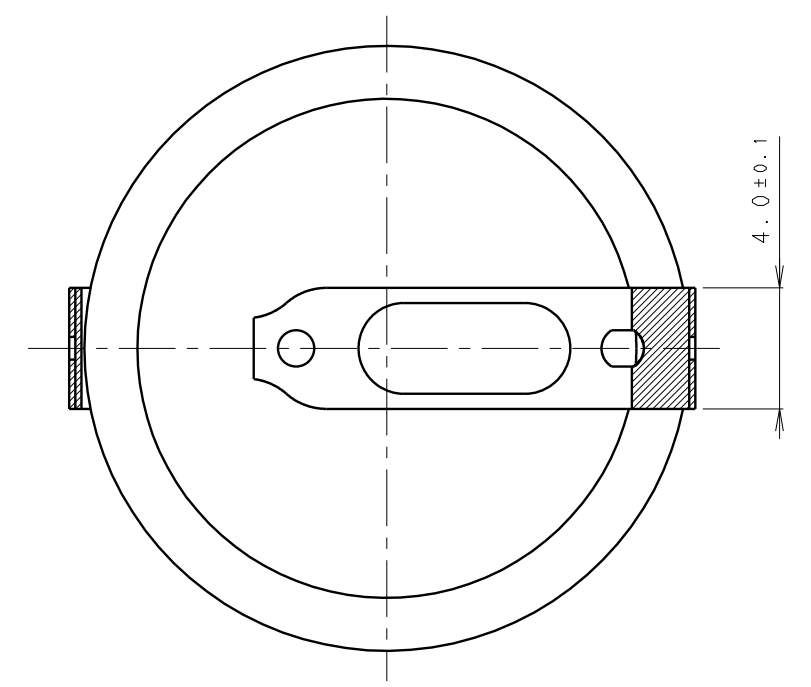
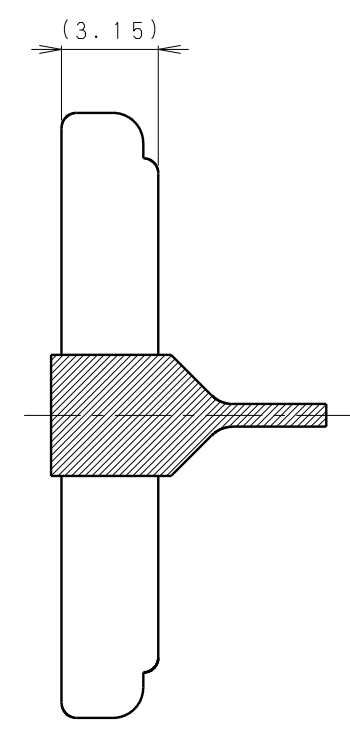
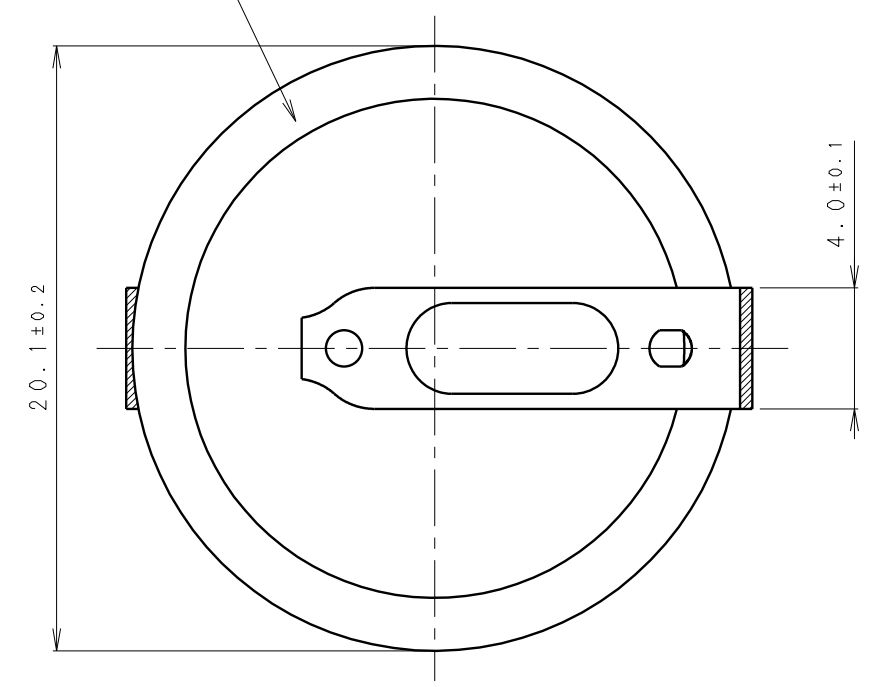


\* NOTE [注記]

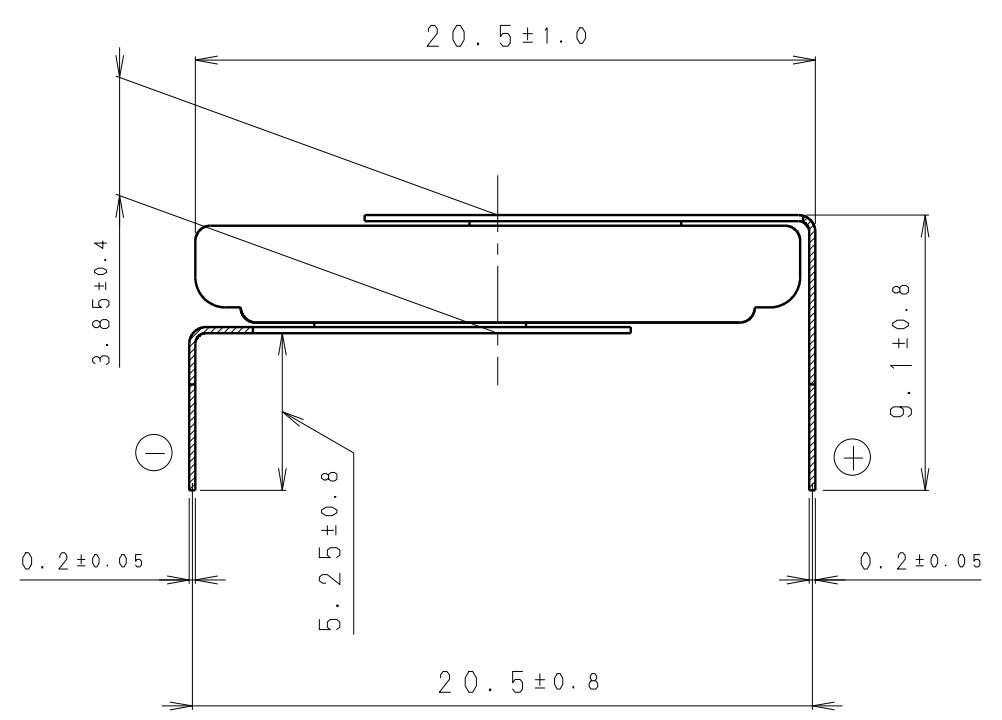
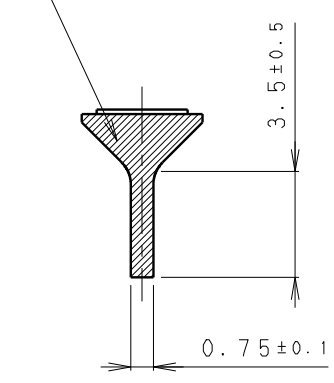
- TAB PULLING STRENGTH OVER 19.6N [端子溶接強度: 19.6N以上]
- TAB MATERIAL: STAINLESS STEEL WITH TIN PLATING [端子材料: 基材 ステンレス/表面 部分Snメッキ]
- ( ): REFERENCE DIMENSION AND ANGLE [ ( ) 寸法、角度は参考値]

|             |             |       |         |
|-------------|-------------|-------|---------|
| PRODUCT NO. | BR-2032/HFN | SCALE | 4:1     |
| DRAWING NO. | PMHB1Z      | REV.  | 0       |
|             |             |       | UNIT:mm |

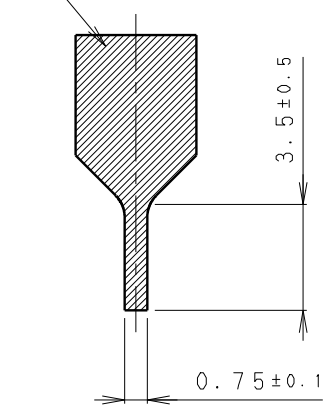
INSULATOR (YELLOW)  
[Snメッキ]



TIN PLATING  
[Snメッキ]



TIN PLATING  
[Snメッキ]

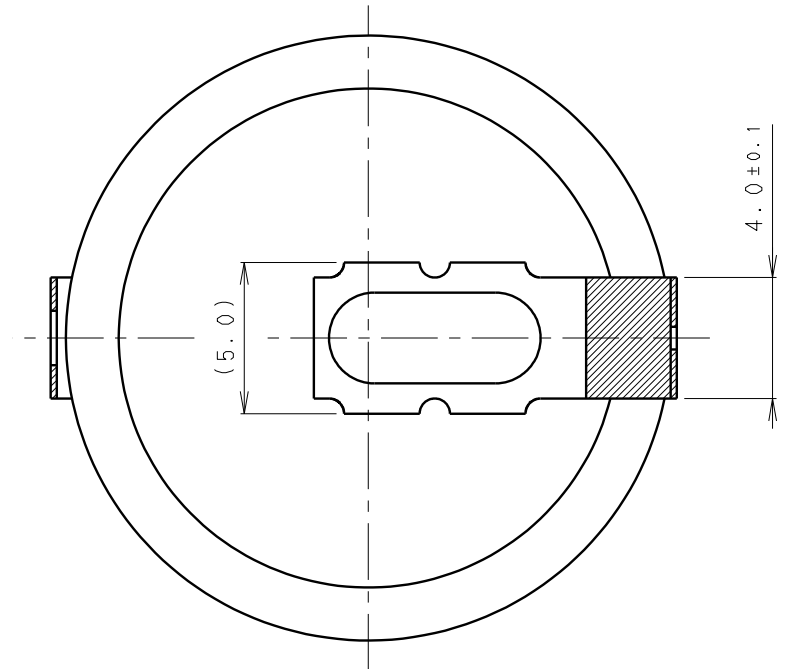
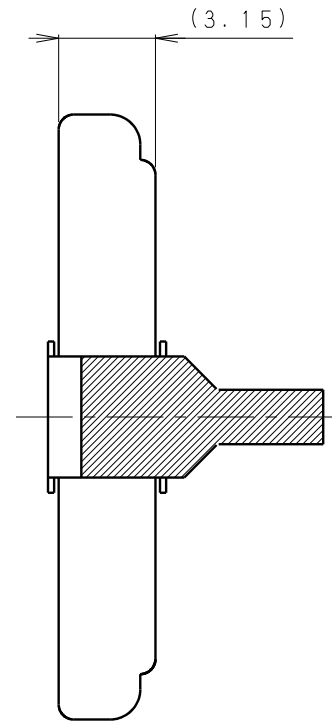
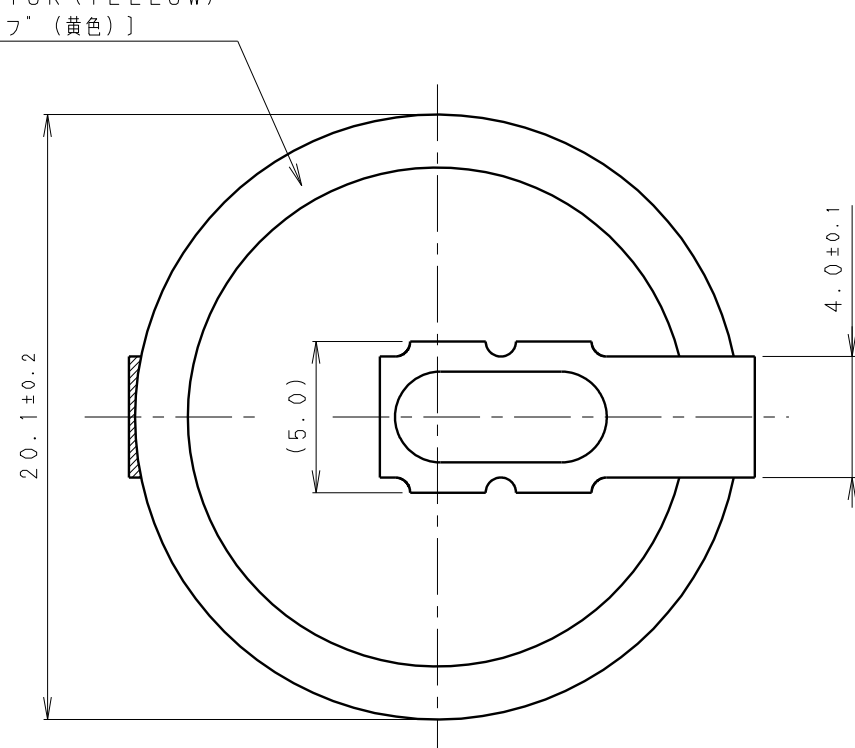


\* NOTE [注記]

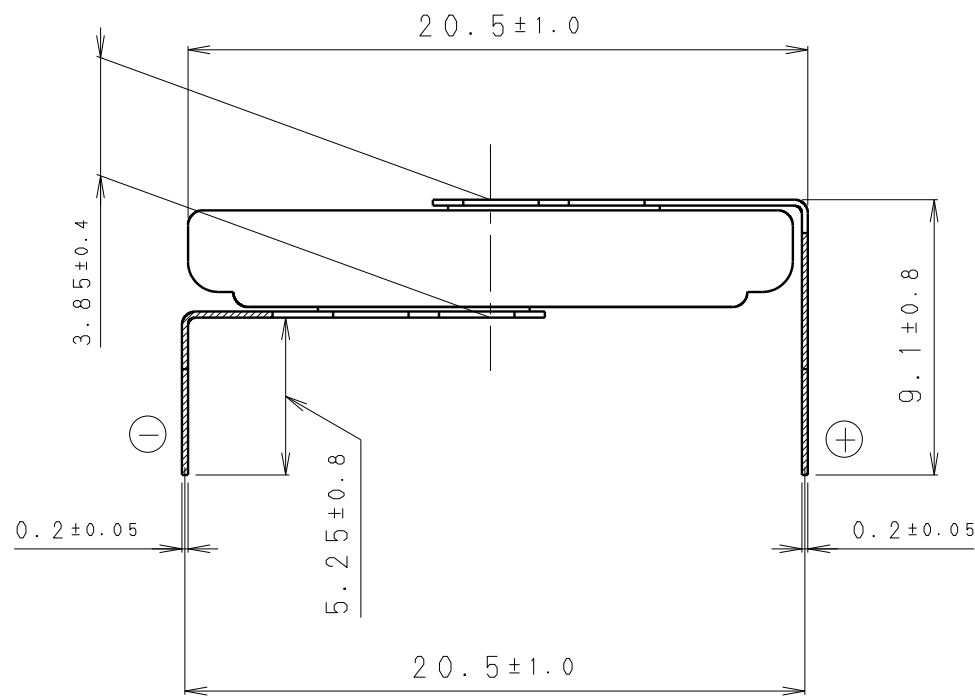
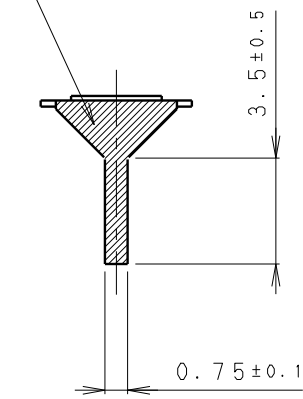
1. TAB PULLING STRENGTH OVER 19.6N [端子溶接強度: 19.6N以上]
2. TAB MATERIAL: STAINLESS STEEL WITH TIN PLATING [端子材料: 基材 ステンレス/表面 部分Snメッキ]
3. ( ): REFERENCE DIMENSION AND ANGLE [ ( ) 寸法、角度は参考値]

|             |             |       |         |
|-------------|-------------|-------|---------|
| PRODUCT NO. | BR-2032/HFN | SCALE |         |
|             |             | 4:1   |         |
| DRAWING NO. | PMHA1Z      | REV.  | UNIT:mm |
|             |             | 0     |         |

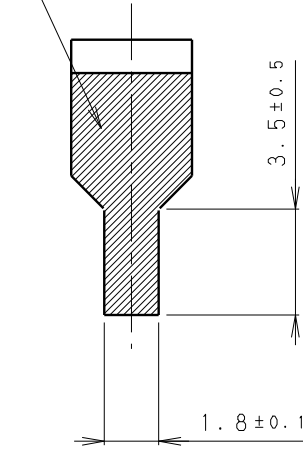
INSULATOR (YELLOW)  
[絶縁チューブ (黄色)]



TIN PLATING  
[Snメッキ]



TIN PLATING  
[Snメッキ]

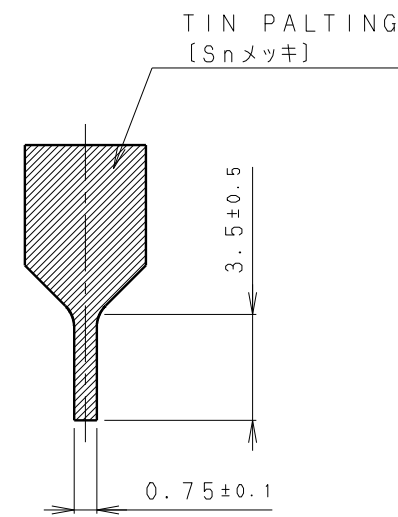
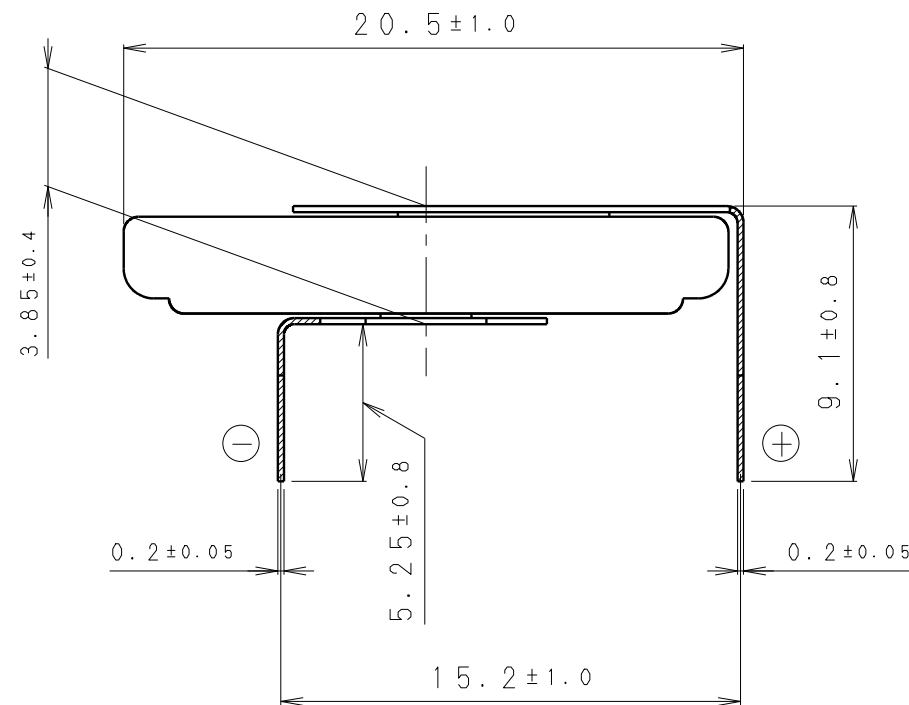
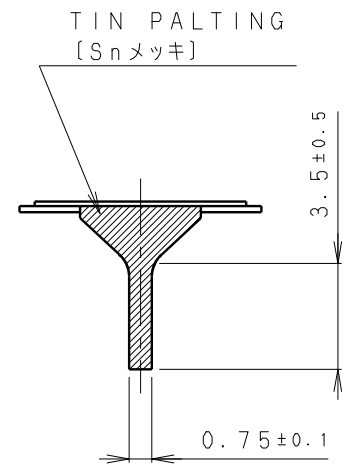
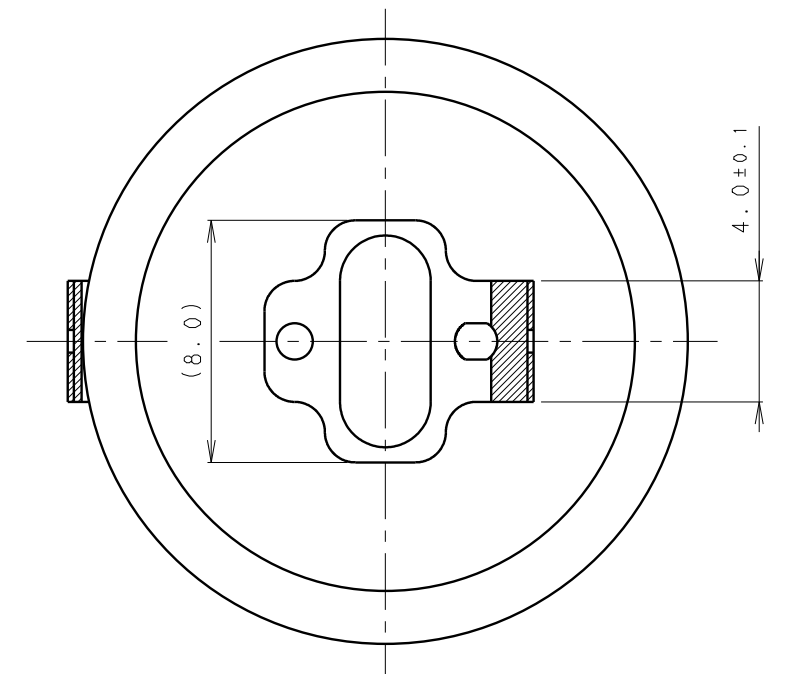
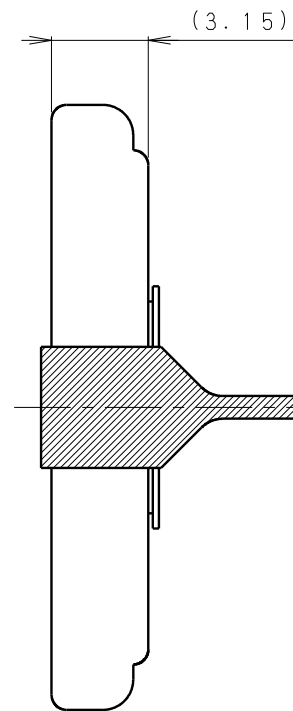
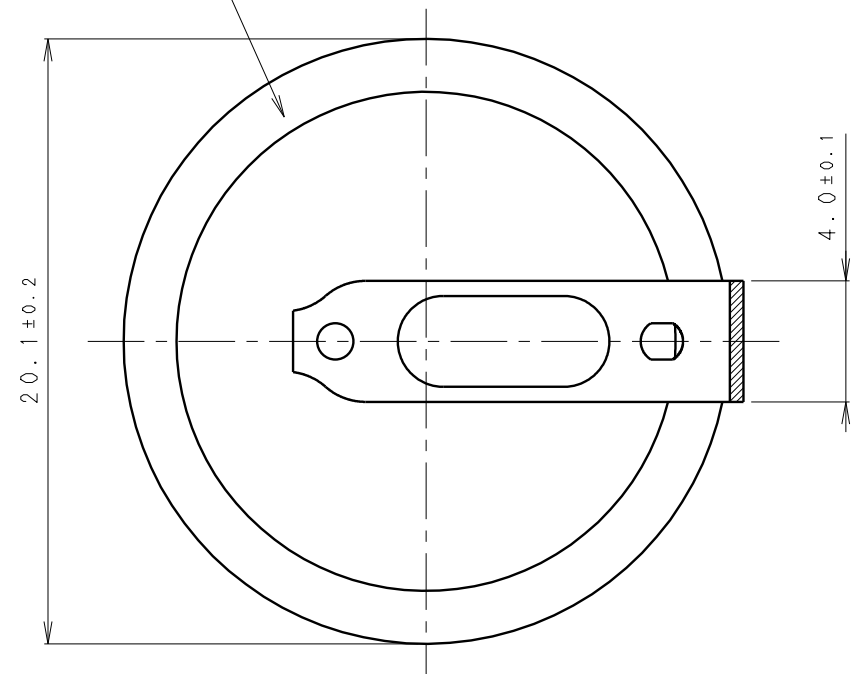


\* NOTE [注記]

- TAB PULLING STRENGTH OVER 19.6N [端子溶接強度: 19.6N以上]
- TAB MATERIAL: STAINLESS STEEL WITH TIN PLATING [端子材料: 基材 ステンレス/表面 部分Snメッキ]
- ( ): REFERENCE DIMENSION AND ANGLE [ ( ) 寸法、角度は参考値]

|             |              |       |         |
|-------------|--------------|-------|---------|
| PRODUCT NO. | BR-2032/HF1N | SCALE | 4:1     |
| DRAWING NO. | PMHD1Z       | REV.  | 0       |
|             |              |       | UNIT:mm |

INSULATOR (YELLOW)  
[絶縁チューブ (黄色)]



\* NOTE [注記]

1. TAB PULLING STRENGTH OVER 19.6N [端子溶接強度: 19.6N以上]
2. TAB MATERIAL: STAINLESS STEEL WITH TIN PLATING [端子材料: 基材 ステンレス/表面 部分Snメッキ]
3. ( ): REFERENCE DIMENSION AND ANGLE [ ( ) 寸法、角度は参考値]

|             |             |       |         |
|-------------|-------------|-------|---------|
| PRODUCT NO. | BR-2032/HSN | SCALE | 4:1     |
| DRAWING NO. | PMHJ1Z      | REV.  | 0       |
|             |             |       | UNIT:mm |