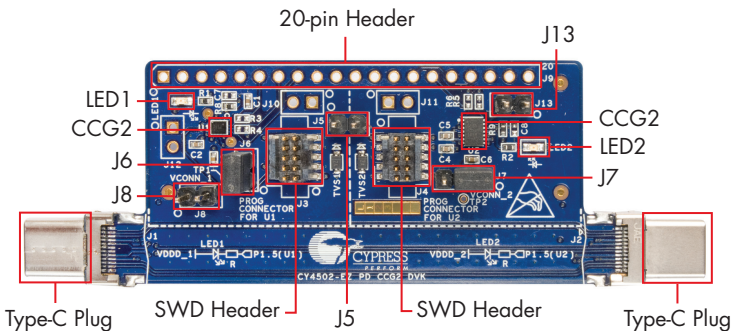


CY4502 EZ-PD™ CCG2 DEVELOPMENT KIT

CY4502 enables designers to evaluate the functionality of EZ-PD™ CCG2 controllers in Type-C EMCA (Electronically Marked Cable Assembly) cables

- Download and install the latest Kit Setup *CY4502Setup.exe* from www.cypress.com/CY4502
- Unpack the kit contents and verify that all jumpers on the kit are set to the default setting



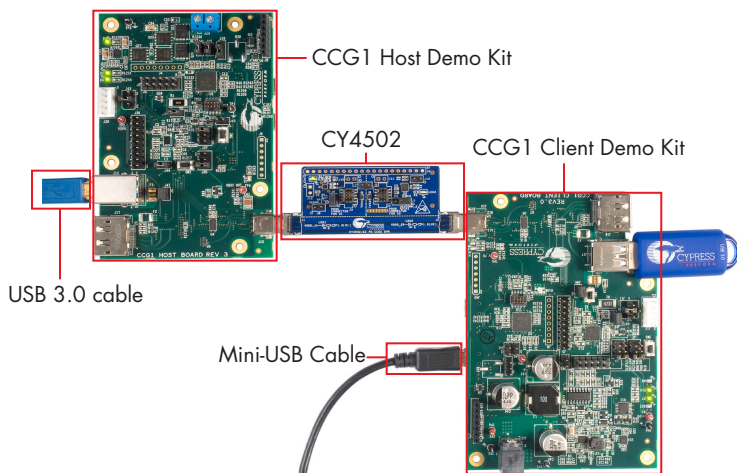
Default Jumper Settings

Jumper	Setting
J5	Open
J6	Closed
J7	1 - 2
J8, J13	Open

CY4502 bumpers are designed to work with CCG1 host and client demo boards. Please ensure that the CY4502 board rests on a firm base while operating it with other setups. This is to avoid stress on the CY4502 PCB and Type-C connectors.

CY4502 EZ-PD™ CCG2 DEVELOPMENT KIT

- Connect CY4502 between a Type-C enabled host (e.g. Laptop, PC) and a Type-C enabled device with a Type-C receptacle (e.g. Monitor, USB hard disk). LED on the CY4502, closer to the host glows to indicate that the CY4502 board is powered. CY4502 is now functioning as a Type-C EMCA cable
- If a Type-C enabled host or device is not available, contact Cypress to get a CCG1 Host/Client Demo Kit and follow the steps in the CY4502 CCG2 Development Kit Guide to test CY4502. For more information about CCG1, visit www.cypress.com/CCG1/
- Browse to the location <Install Directory>\Cypress\CY4502 CCG2 DVK\
<Version>\Documentation for the CY4502 CCG2 Development Kit Guide. The default Install Directory is C:\Program Files for 32-bit operating system (OS) and C:\Program Files (x86) for 64-bit OS



For more information about the CY4502 EZ-PD CCG2 Development Kit please visit www.cypress.com/CY4502

For technical support, visit www.cypress.com/support