

ECN/PCN No.: 4222

For Manufacturer			
Product Description: SMD Resonator	Abracon Part Number / Part Series: 670 and 671	<input type="checkbox"/> Documentation only <input type="checkbox"/> ECN <input checked="" type="checkbox"/> EOL	<input checked="" type="checkbox"/> Series <input type="checkbox"/> Part Number
Affected Revision: A	New Revision: EOL	Application:	<input type="checkbox"/> Safety <input checked="" type="checkbox"/> Non-Safety
Prior to Change: 670 and 671 series Rev A			
After Change: EOL (page 2)			
Cause/Reason for Change: Discontinuation of product series.			
Change Plan			
Effective Date: 02/22/2022	Additional Remarks:		
Change Declaration:			
Issued Date: 02/22/2022	Issued By:	Issued Department:	
Approval:	Approval:	Approval:	
For Abracon EOL only			
Last Time Buy (if applicable): None	Alternate Part Number / Part Series: None		
Additional Approval:	Additional Approval:	Additional Approval:	
Customer Approval (If Applicable)			
Qualification Status: <input type="checkbox"/> Approved <input type="checkbox"/> Not accepted <i>Note: It is considered approved if there is no feedback from the customer 1 month after ECN/PCN is released.</i>			
Customer Part Number:		Customer Project:	
Company Name:	Company Representative:	Representative Signature:	
Customer Remarks:			

Package	Description	Last Modified
ZTACC/ZTTCC Ceramic	SMD Resonator	Jan. 01, 2007

Features

- Low frequencies Surface Mount Ceramic Resonator
- Extended temperature range
- RoHs/ Lead Free compliant

Operating Conditions/ Electrical Characteristics

Series No.	Type	Fig	Frequency Range*	Frequency Accuracy	Stability in Temperature	Aging for Ten Years
			(MHz)	@25° (MHz)	-20° ~ +80°C	-
670	ZTACC	1	1.79~8.0	±0.5%	±0.3%	±0.3%
671	ZTTCC	2				

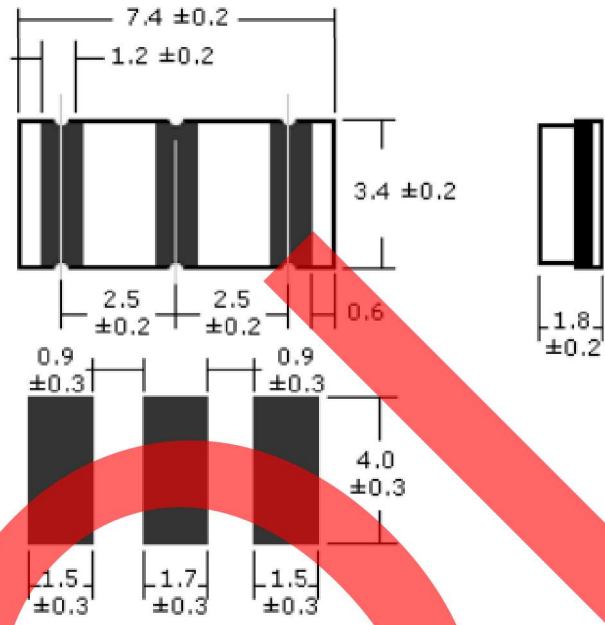
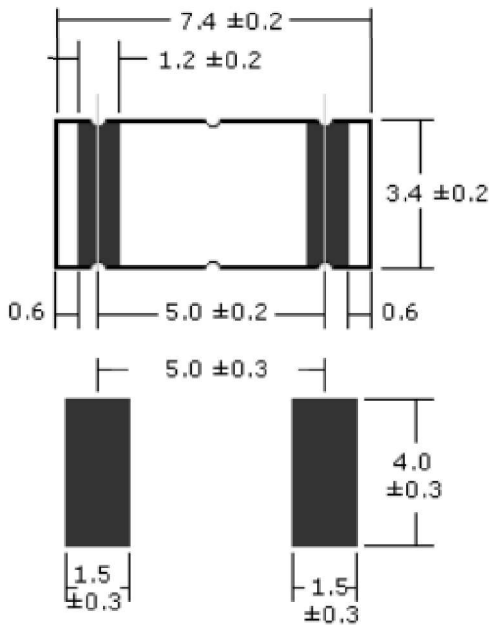
Value of C1 & C2

Frequency Range (MHz)	C1 (pF)	C2 (pF)
1.79~8.0	30	30

Part Number Guide

Part Number	Frequency	Load Capacitance	Frequency Accuracy (%)	Operating Temp (°C)	Packaging**
670	- 8.0M	- 32	- 03	W	
670 = ZTACC 671 = ZTTCC	e.g. -8.0M = 8.00 MHz Std. Range = 1.79 ~ 12.0 MHz Other Freq. Avail. Contact Oscilent for assistance.	Blank* = Standard as shown in above Table or Fill in the blank e.g 32 = 32pF	Blank* = ±0.5% -03 = ±0.3%	Blank* = -20 ~ +80 -N = -40 ~ +85 -W = -40 ~ +125	Blank* = Bulk -TR = Tape/ Reel

Package Dimension



Recommended Land Pattern

Recommended Land Pattern

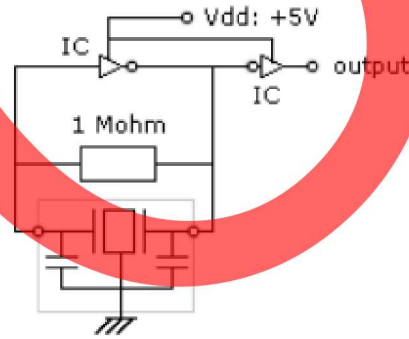
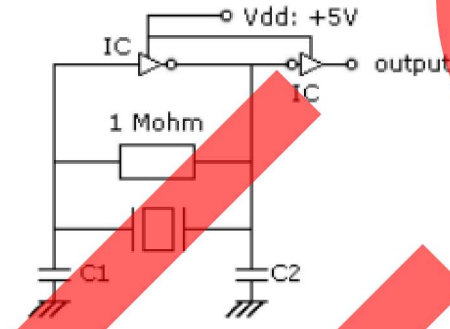


Figure 1) ZTACC

Figure 2) ZTCC

Pins	
1	Input
2	Output

Pins	
1	Input
2	Ground
3	Output