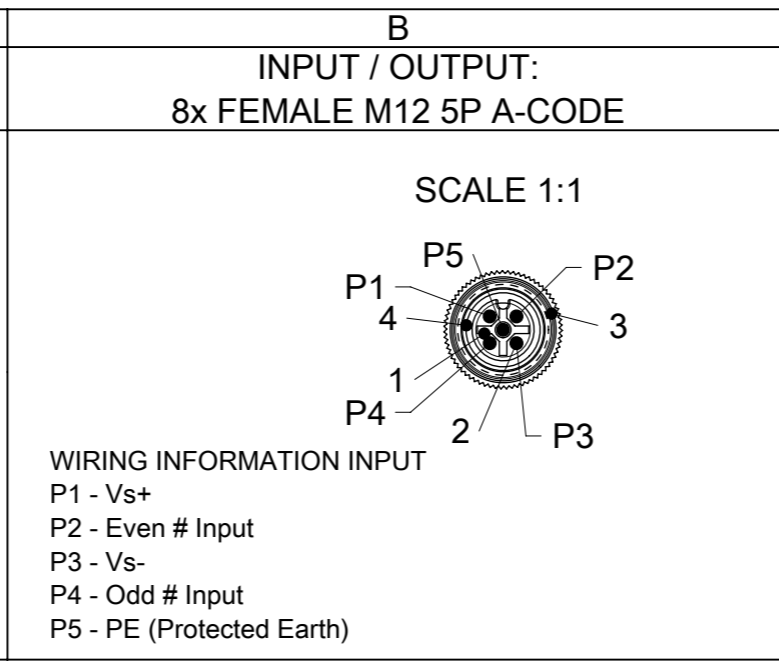
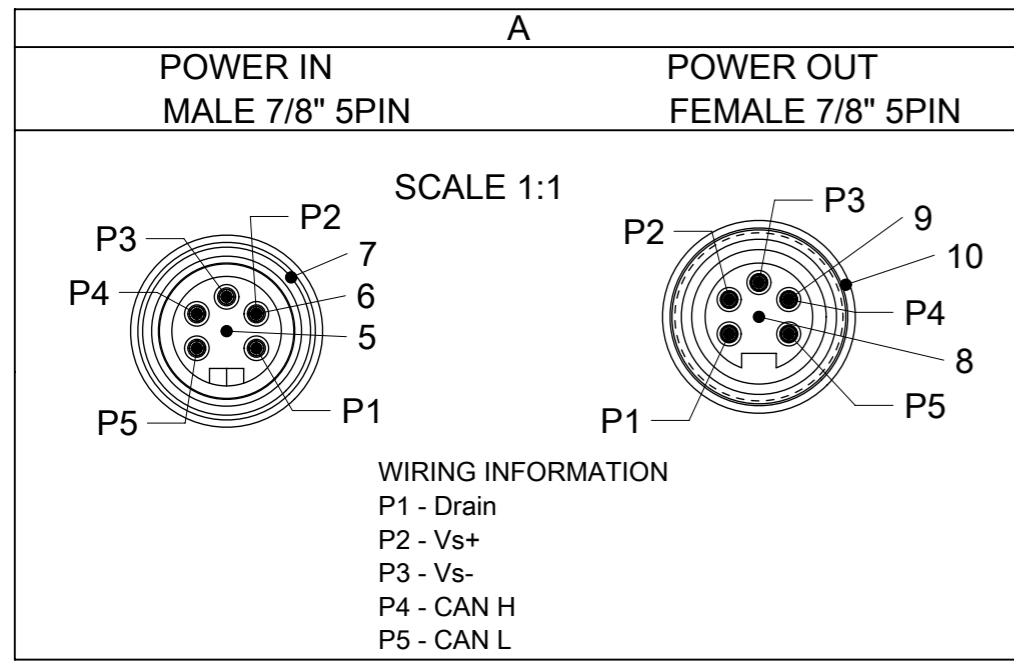


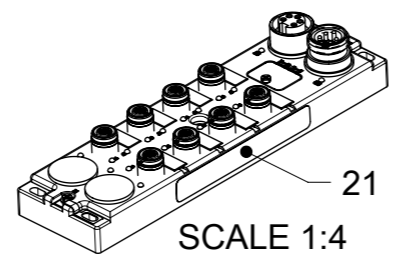
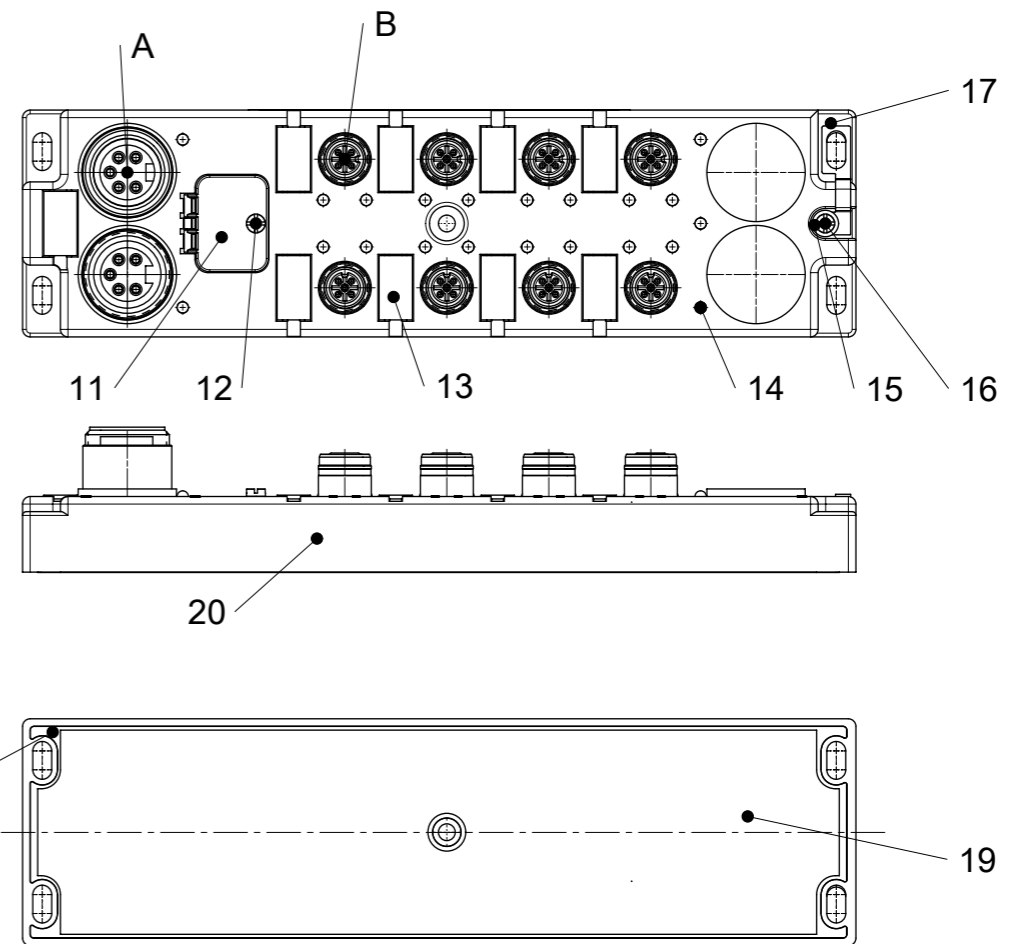
SCALE 1:2

| | | | | | | | | | | | |
|---|---|--|--------------|------------------------|-----------------|---|-----------------|----------------|--|--|--|
| THIS DRAWING CONTAINS INFORMATION THAT IS PROPRIETARY TO MOLEX ELECTRONIC TECHNOLOGIES, LLC AND SHOULD NOT BE USED WITHOUT WRITTEN PERMISSION | | | | | | | | | | | |
| QUALITY SYMBOLS | EC NO: 101575 DRWN: AAHLERS CHK'D: RSILLER APPR: RSILLER | GENERAL TOLERANCES (UNLESS SPECIFIED) | | DIMENSION UNITS | SCALE | | | | | | |
| | | ANGULAR TOL ± ° | | mm | 1:1 | | | | | | |
| ▽A = 0 | 2015/10/23 2015/11/03 2015/11/03 | 4 PLACES ± | DRWN BY | DATE | | DBO DN16 60 MM 7/8" 5P AC MA FE U12 5P 8PT DC FE | | | | | |
| ▽E = 0 | | 3 PLACES ± | ULETTENMEIER | 2015/01/19 | | | | | | | |
| ▽F = 0 | | 2 PLACES ± | CHK'D BY | DATE | | PRODUCT CUSTOMER DRAWING | | | | | |
| ▼ = 0 | | 1 PLACE ± 0.3 | RSILLER | 2015/06/25 | | | | | | | |
| ▽C = 0 | | 0 PLACES ± 0.5 | APPR BY | DATE | | SERIES | MATERIAL NUMBER | CUSTOMER | | | |
| ⊗ = 0 | | DRAFT WHERE APPLICABLE MUST REMAIN WITHIN DIMENSIONS | DRAWING SIZE | THIRD ANGLE PROJECTION | | 112092 | 1120920010 | GENERAL MARKET | | | |
| ■ = 0 | | A3 | | | DOCUMENT NUMBER | DOC TYPE | DOC PART | SHEET NUMBER | | | |
| ▽ = 0 | | | | | 1120920010 | PSD | 000 | 1 OF 3 | | | |



BILL OF MATERIAL

| ITEM | DESCRIPTION | MATERIAL | FINISH |
|------|--------------|-----------------|------------------|
| 1 | INSERT | TPU | BLACK |
| 2 | CONTACT | COPPER ALLOY | GOLD OVERNICKEL |
| 3 | SHELL | BRASS | NICKEL PLATET |
| 4 | GASKET | FPM | RED |
| 5 | INSERT | TPE | GREY |
| 6 | CONTACT | COPPER ALLOY | GOLD OVERNICKEL |
| 7 | SHELL | BRASS | NICKEL PLATET |
| 8 | INSERT | TPE | GREY |
| 9 | CONTACT | COPPER ALLOY | GOLD OVER NICKEL |
| 10 | SHELL | BRASS | NICKEL PLATET |
| 11 | WINDOW | PC | TRANSPARENT |
| 12 | SCREW | V2A | V2A |
| 13 | LABEL | PC | WHITE |
| 14 | FIBER OPTIC | PA | TRANSPARENT |
| 15 | WASHER | BRASS | NICKEL PLATET |
| 16 | SCREW | V2A | V2A |
| 17 | SHIELD PLATE | STAINLESS STEEL | STAINLESS STEEL |
| 18 | RESIN | EPOXY | TRANSPARENT |
| 19 | LABEL | PVC | WHITE |
| 20 | HOUSING | PBT | BLACK |
| 21 | LABEL | PVC | YELLOW |

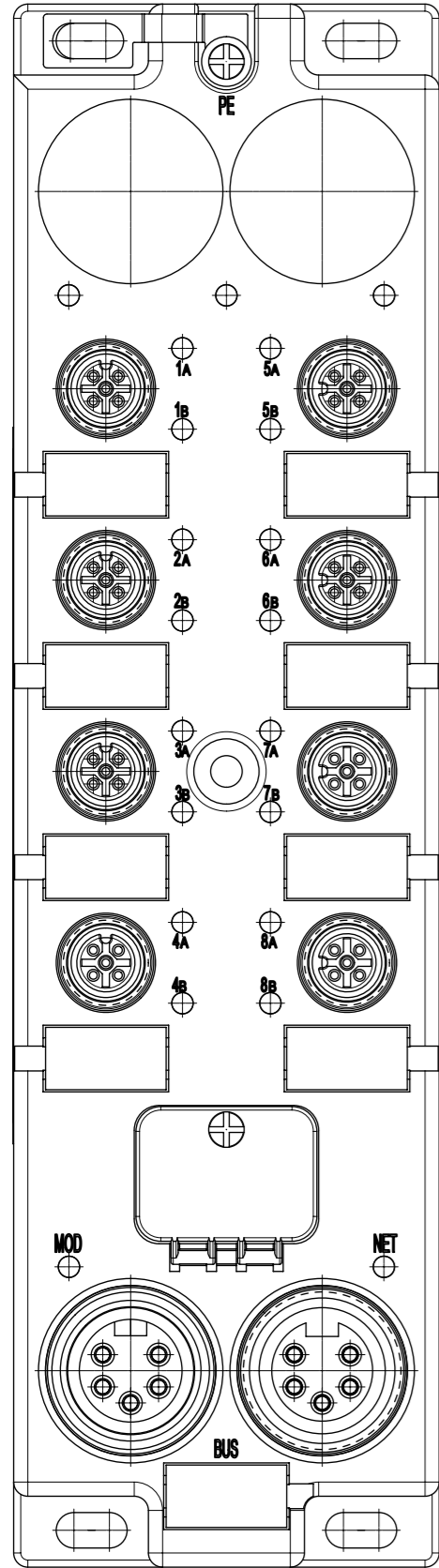


THIS DRAWING CONTAINS INFORMATION THAT IS PROPRIETARY TO MOLEX ELECTRONIC TECHNOLOGIES, LLC AND SHOULD NOT BE USED WITHOUT WRITTEN PERMISSION

| | | | | | |
|---|---|--|---|--|--------------------------|
| QUALITY SYMBOLS A = 0 E = 0 F = 0 G = 0 H = 0 I = 0 J = 0 K = 0 L = 0 M = 0 N = 0 O = 0 | EC NO: 101575 DRWN: AAHLERS CHK'D: RSILLER APPR: RSILLER | 2015/10/23 2015/11/03 2015/11/03 | GENERAL TOLERANCES (UNLESS SPECIFIED) ANGULAR TOL ± ° 4 PLACES ± 3 PLACES ± 2 PLACES ± 1 PLACE ± 0.3 0 PLACES ± 0.5 | DIMENSION UNITS: mm SCALE: 1:2 DRWN BY: ULETTENMEIER DATE: 2015/01/19 CHK'D BY: [blank] DATE: [blank] APPR BY: RSILLER DATE: 2015/06/25 | |
| | DRAFT WHERE APPLICABLE MUST REMAIN WITHIN DIMENSIONS | | | DRAWING SIZE: A3 THIRD ANGLE PROJECTION | PRODUCT CUSTOMER DRAWING |
| | SERIES: 112092 MATERIAL NUMBER: 1120920010 CUSTOMER: GENERAL MARKET | | DOCUMENT NUMBER: 1120920010 DOC TYPE: PSD DOC PART: 000 SHEET NUMBER: 3 OF 3 | | |

TABLE 1 16 IN PRINTING

| | | DEVICENET 16 | | | 3D MODEL NO. |
|-------------|--------------|--------------|----------------|------------|------------------|
| POWER TYPE | INPUT/OUTPUT | ENG. NO | MOLEX P/N | | |
| 7/8" 5 POLE | PNP | 16I | TCDDN-8D0P-10U | 1120920010 | 1120920010 (PDM) |
| | NPN | 16I | TCDDN-8D0N-10U | 1120920019 | |



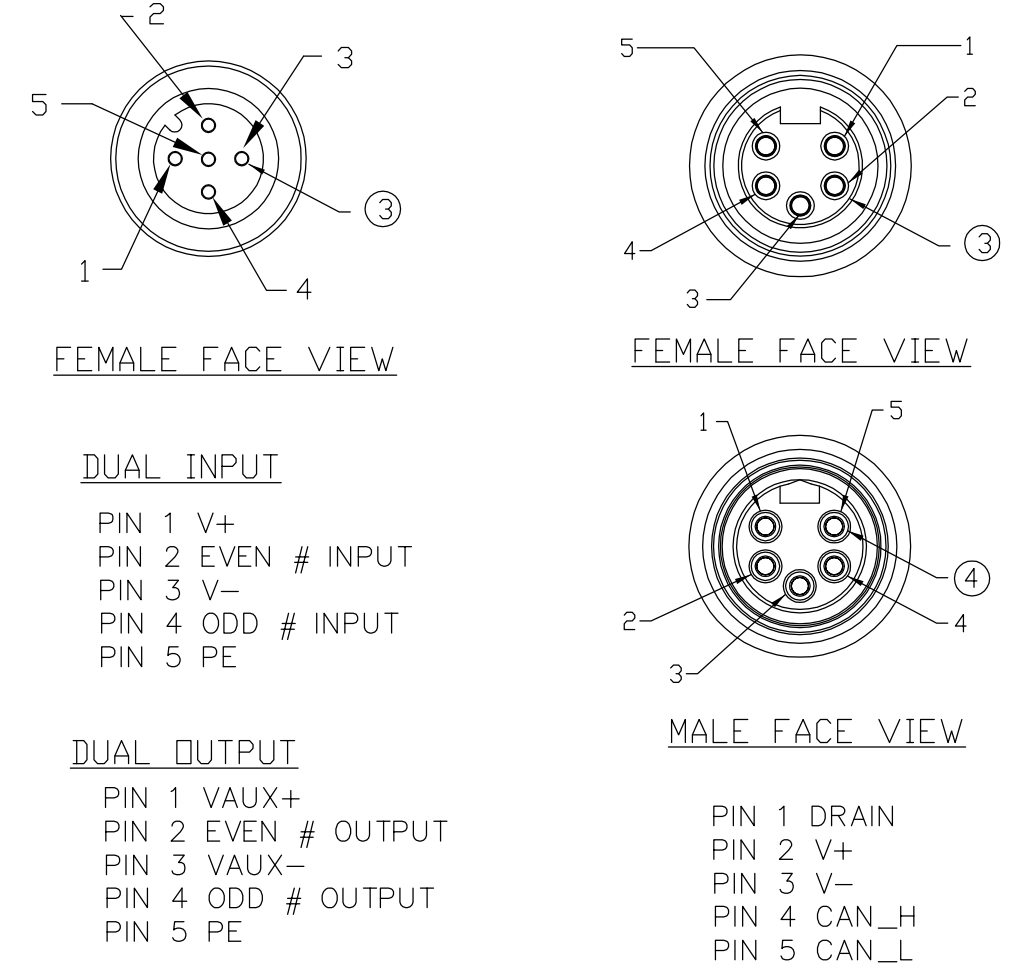
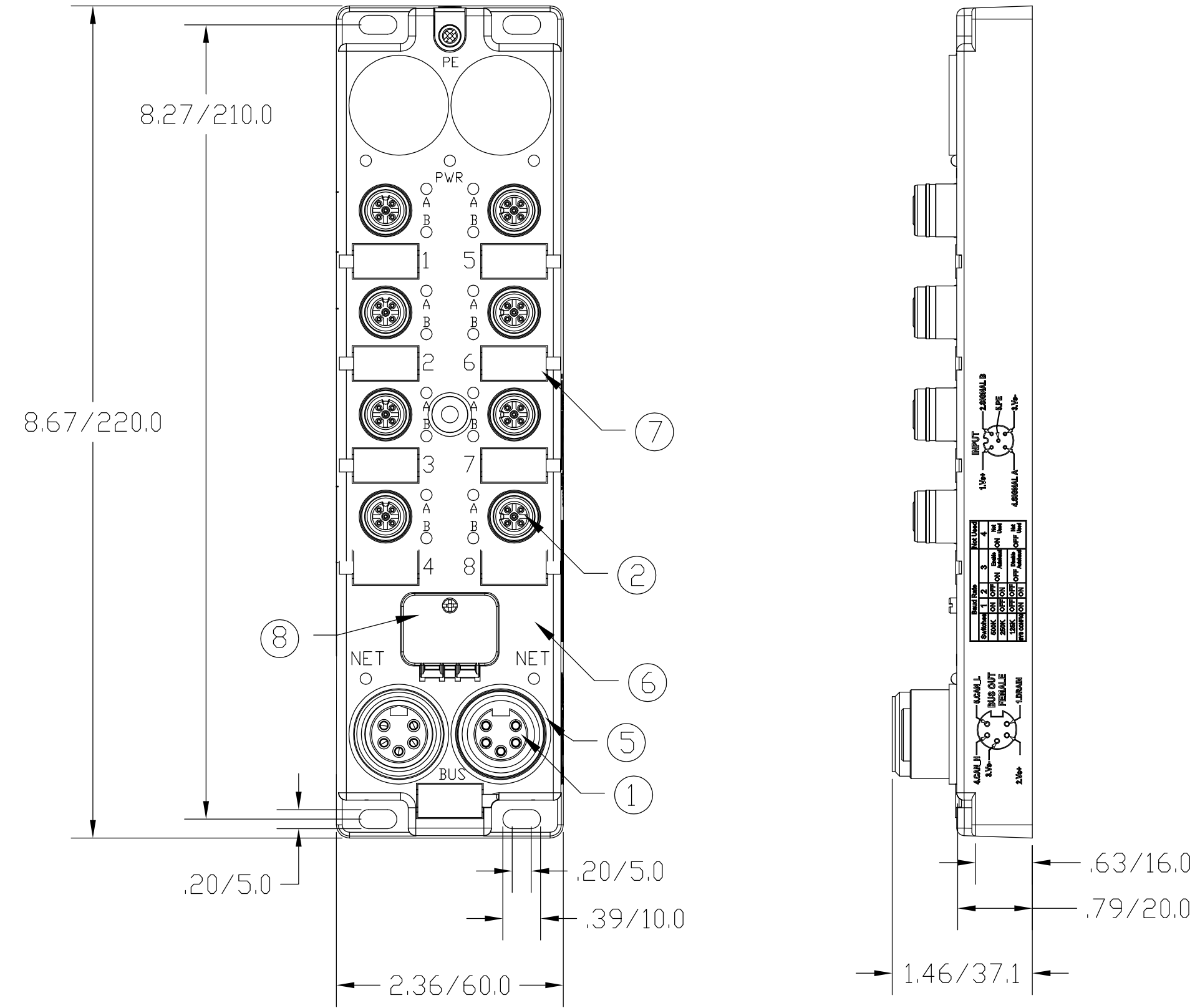
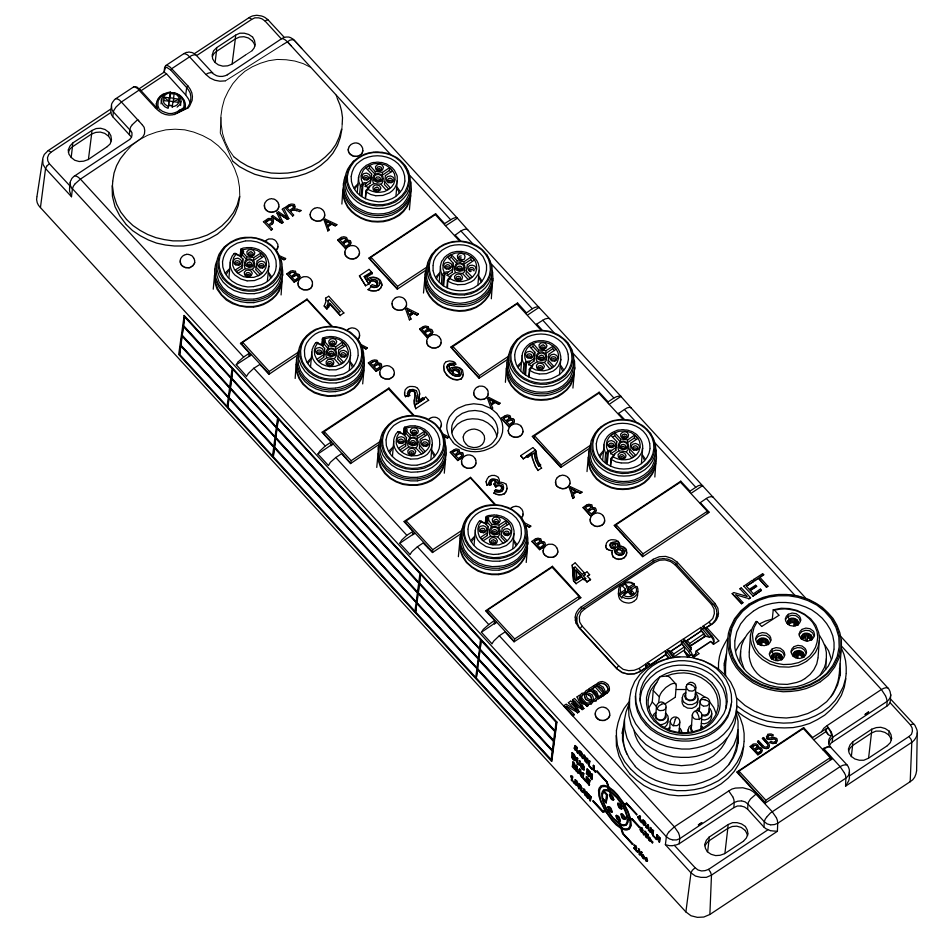
16 IN PRINTING

| QUALITY SYMBOLS | THIS DRAWING CONTAINS INFORMATION THAT IS PROPRIETARY TO MOLEX ELECTRONIC TECHNOLOGIES, LLC AND SHOULD NOT BE USED WITHOUT WRITTEN PERMISSION | | | | | | | | | |
|-----------------|---|--|-----|-----------------|------------------------|---|-----------------|----------------|--------------|--|
| ▽A = 0 | EC NO: 101575 DRWN: AAHLERS CHK'D: RSILLER APPR: RSILLER | GENERAL TOLERANCES (UNLESS SPECIFIED) | | DIMENSION UNITS | SCALE | | | | | |
| ▽E = 0 | | ANGULAR TOL ± ° | | mm | 1:1 | | | | | |
| ▽F = 0 | | 4 PLACES ± | | DRWN BY | DATE | DBO DN16 60 MM 7/8" 5P AC MA FE U12 5P 8PT DC FE | | | | |
| ▼ = 0 | | 3 PLACES ± | | ULETTENMEIER | 2015/01/19 | | | | | |
| ▽C = 0 | | 2 PLACES ± | | CHK'D BY | DATE | PRODUCT CUSTOMER DRAWING | | | | |
| ⊗ = 0 | | 1 PLACE ± 0.3 | | RSILLER | 2015/06/25 | | | | | |
| ■ = 0 | | 0 PLACES ± 0.5 | | APPR BY | DATE | SERIES | MATERIAL NUMBER | CUSTOMER | | |
| ▽ = 0 | | DRAFT WHERE APPLICABLE MUST REMAIN WITHIN DIMENSIONS | | DRAWING SIZE | THIRD ANGLE PROJECTION | 112092 | 1120920010 | GENERAL MARKET | | |
| | | A1 | REV | A3 | | DOCUMENT NUMBER | DOC TYPE | DOC PART | SHEET NUMBER | |
| | | | | | | 1120920010 | PSD | 000 | 2 OF 3 | |

| MATERIAL NUMBER | OLD PART NUMBER |
|-----------------|-----------------|
| 112092-0010 | TCDDN-8D0P-10U |

INPUTS:
PNP 3-WIRE SENSORS
PORTS 1-8

USER MANUAL IS LOCATED ON MOLEX WEBSITE.



| | |
|---|----------------------------|
| PROTECTION | IP67 |
| OPERATING TEMPERATURE | 0°C TO 70°C |
| APPROVALS | ODVA AND CE |
| UL CERTIFICATIONS | UL LISTED FILE NO. E200650 |
| PRODUCTS CERTIFIED BY UL IN ACCORDANCE WITH CANADIAN REQUIREMENTS | UL LISTED FILE NO. E200650 |

| ITEM | COMPONENT | MATERIAL | FINISH |
|------|------------------|---------------|---------------------------------|
| 1 | MINI INSERT | TPE | GRAY(5-POLE) YELLOW (4-POLE) |
| 2 | MICRO INSERT | NYLON 6/6 | BLACK |
| 3 | CONTACT SOCKET | COPPER ALLOY | GOLD OVER NICKEL |
| 4 | CONTACT PIN | COPPER ALLOY | GOLD OVER NICKEL |
| 5 | RECEPTACLE SHELL | BRASS | NICKLE PLATED |
| 6 | HOUSING | PBT | BLACK |
| 7 | LABEL | ABS | WHITE |
| 8 | WINDOW | POLYCARBONATE | CLEAR |

| | | | | | | |
|---|--------------------|---|--|---|---|---|
| RLSO DRAWING EC NO: WNA2009-0881 DRWN: BWOODMAN 6/30/09 CH'KD: --- APPR: JFMURPHY 2009/07/08 A | DESCRIPTION REV | QUALITY SYMBOL ▽=0 ◁=0 | GENERAL TOLERANCES (UNLESS SPECIFIED) 4 PLACES ±--- 3 PLACES ±--- 2 PLACES ±--- 1 PLACE ±0.3 | DIMENSION STYLE IN/MM DRAWN BY DATE BW 2009/06/30 CHECKED BY DATE LH 2009/06/30 APPROVED BY DATE --- | SCALE --- DESIGN UNITS --- THIRD ANGLE PROJECTION | TITLE 60MM 16 INPUT PNP DEVICENET MPIS |
| | | ANGULAR ±---° DRAFT WHERE APPLICABLE MUST REMAIN WITHIN DIMENSIONS | MATERIAL NO. SEE CHART | MOLEX INCORPORATED DOCUMENT NO. SD-112092-003 | SHEET NO. 1 OF 1 | |
| | | THIS DRAWING CONTAINS INFORMATION THAT IS PROPRIETARY TO MOLEX INCORPORATED AND SHOULD NOT BE USED WITHOUT WRITTEN PERMISSION | | | | |