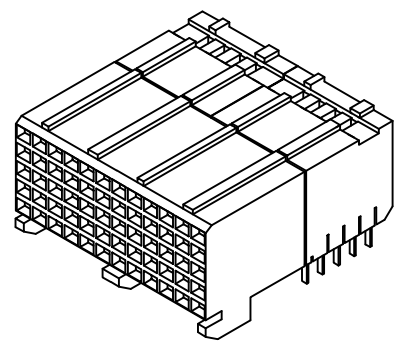
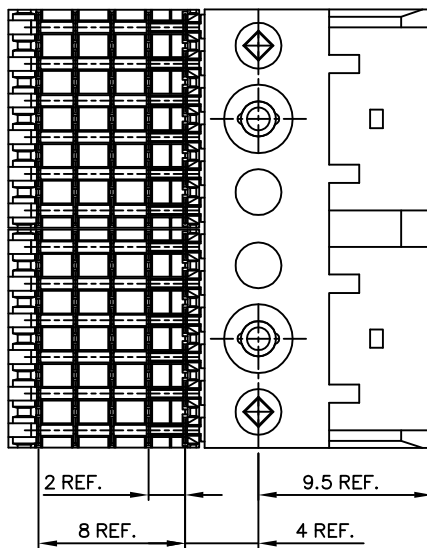
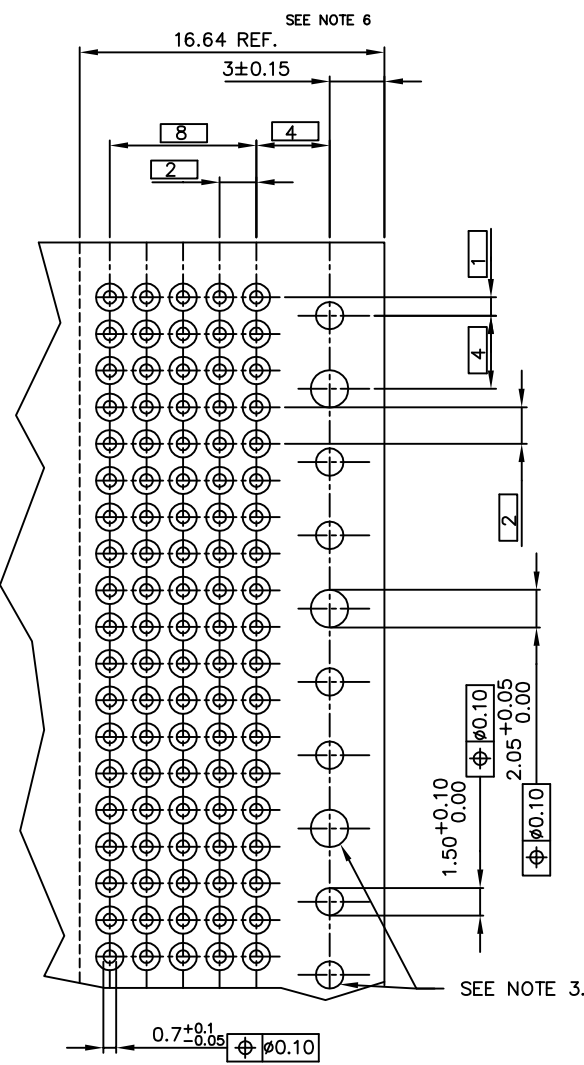
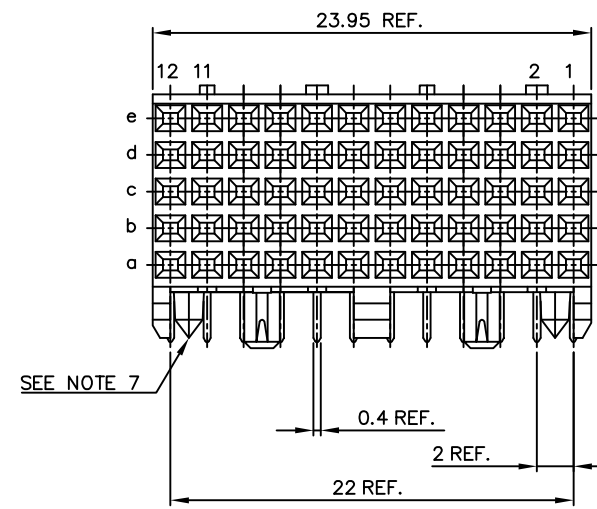
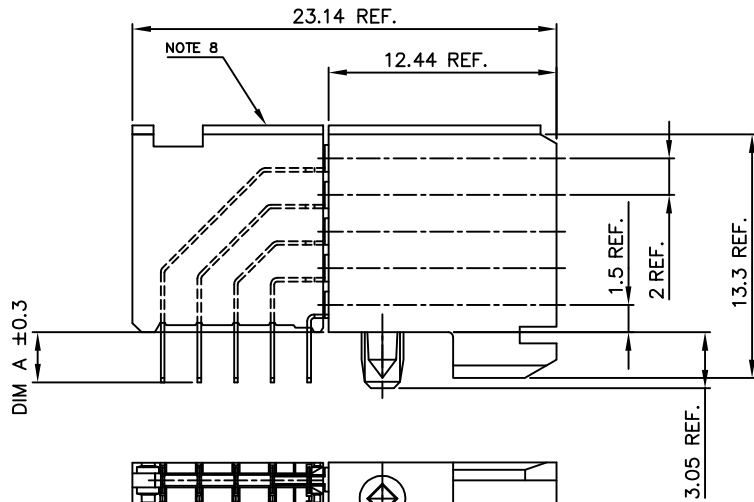
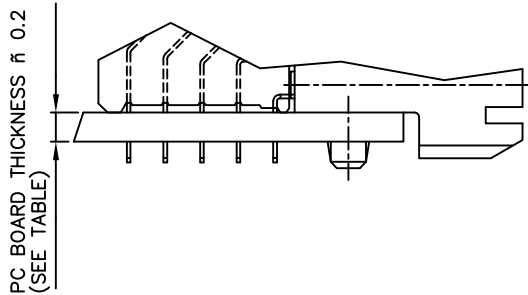


PLATING CONTACT AREA:	
DASH NR:	PERFORMANCE LEVEL
-1YY/1YYLF	TELCORDIA CO
-2YY/2YYLF	CUSTOMER SPECIAL
-3YY/3YYLF	CUSTOMER SPECIAL

PC BOARD VERSIONS		
PRODUCT NR:	PCB THICKNESS	DIM A
85864-X02	1.6	2.90
85864-X12	2.4	3.53



- NOTES:
- BODY MAT'L: LIQUID CRYSTAL POLYMER 30% GLASS FLAME RETARDANT ACC. UL 94-V0
 - TERMINAL MATERIAL: PHOSPHOR BRONZE.
 - INDICATED HOLES ARE UNPLATED.
 - For PLATING SPEC, REFER TO DRAWING 10097866.
 - PRODUCTMARKING: PART NUMBER & BATCH ID.
 - SET BACK FOR TAIL BLOCK
 - DIAMOND LOCATION PEG ARE ONLY EXISTED ON THE BOTH SIDES OF PRODUCT.
 - TOP SURFACE OF PRESS BLOCK MAY EXTEND UP TO 0.4MM HIGHER THAN HOUSING. THIS MAY AFFECT THE TAIL LENGTH BEFORE APPLICATION TO A BOARD.
 - THIS PRODUCT MEETS EUROPEAN UNION DIRECTIVES AND OTHER COUNTRY REGULATIONS AS DESCRIBED IN GS-22-008.
 - THE HOUSING WILL WITHSTAND EXPOSURE TO 260DEGREE PEAK TEMPERATURE FOR 10 SECONDS IN A WAVE SOLDER APPLICATION.



mat'l. code		tolerances unless otherwise specified		CUSTOMER COPY		FCI ELECTRONICS	
SEE NOTES				projection		www.telconnect.com	
ltr	ecn no	dr	date	5 ROW R.A. S.T.B. SIGNAL RECEPT. 24mm MOD.P.P.		code	
H	DF09-0088	Cent	03/03/09	linear	mm	size	dwg no
c	V00578	LLA	000316	angles	mm	product family	METRAL (tm)
D	V00850	GNY	000512	dr	R. VISSCHERS	941005	code
E	pc04-0104	CLU	041223	engr	E. FEIJEN	941005	size
F	pg07-0169	Cent	05/15/07	chr	E. FEIJEN	941005	scale
G	pc08-0171	TER	8/15/08	app	E. FEIJEN	941005	5:1
sheet	revision	H		A2		85864	
index	sheet	1		1		213	
						sheet 1 of 1	