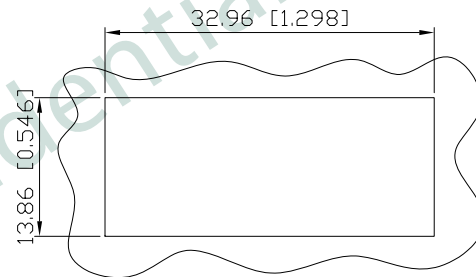
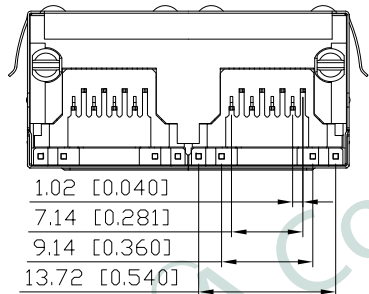
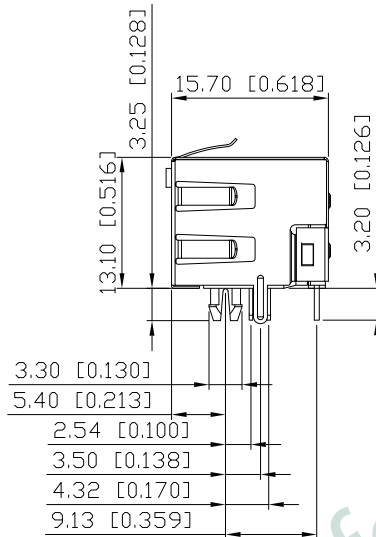
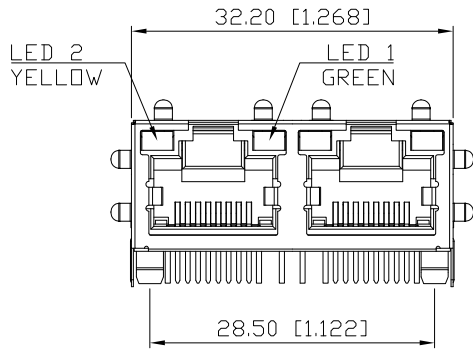


1. MECHANICAL DIMENSIONS :



RECOMMENDED
PANEL CUTOUT DIMENSION

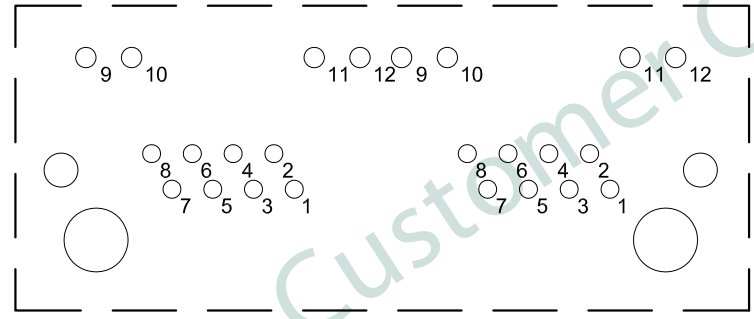
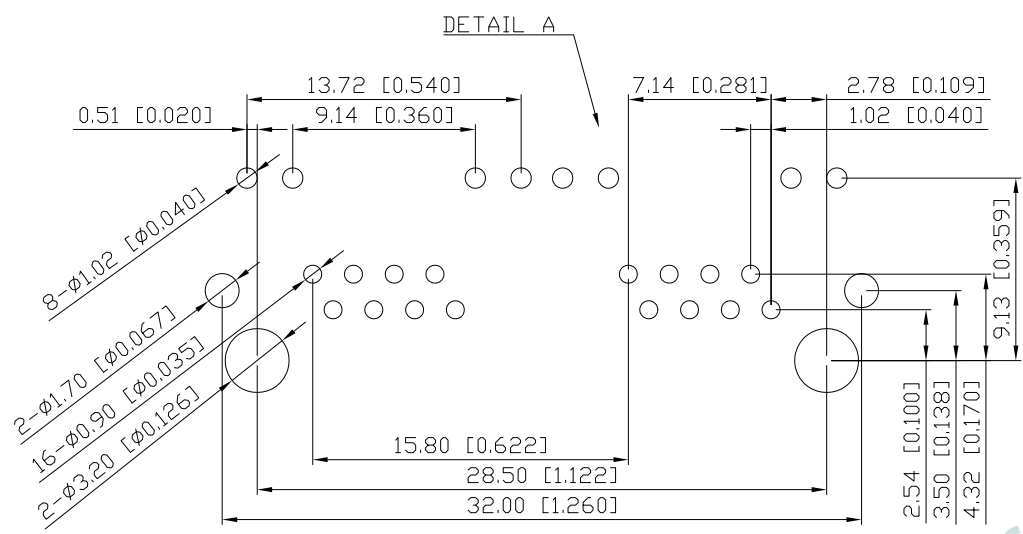
REV.	DATE	DESCRIPTION
01	Dec. 14, '17	1st RELEASE

NOTES:

- MATERIAL:
HOUSING: HIGH THERMOPLASTIC, UL94V-0, BLACK
CONTACTS: T=0.35*0.46mm PHOS-BRONZE,
GOLD FLASH PLATING ON CONTACT AREA,
TIN PLATING ON SOLDER AREA
SHIELD: T=0.20mm COPPER ALLOY, NICKEL PLATING
- OPERATING TEMPERATURE: -40°C~+85°C
- INSERTION FORCE: 4 POUNDS MAX.
EXTRACTION FORCE: 4 POUNDS MAX.
- DURABILITY: 750 MATING CYCLED MIN.
- CAVITY CONFORMS TO FCC RULES AND REGULATIONS PART 68,
SUBPART F.
- UNSPECIFIED TOLERANCE: .XX ±0.25[0.010]
.X ±0.30[0.012]

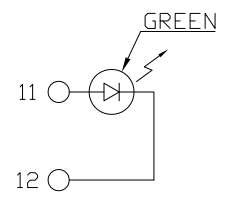
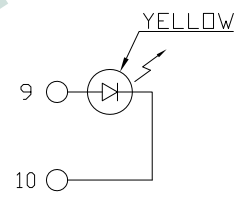
PART NO		KRM-S-02-8-8-1-1E5		
TITLE	RJ45 1X2 8P8C, W/LED, SHIELDED			
REV : 01				
UNIT	DRAWN	CHKD	DATE	SHEET
mm[inch]	CINDY	DANIEL	Dec. 14, '17	1 of 4

2. PCB LAYOUT :

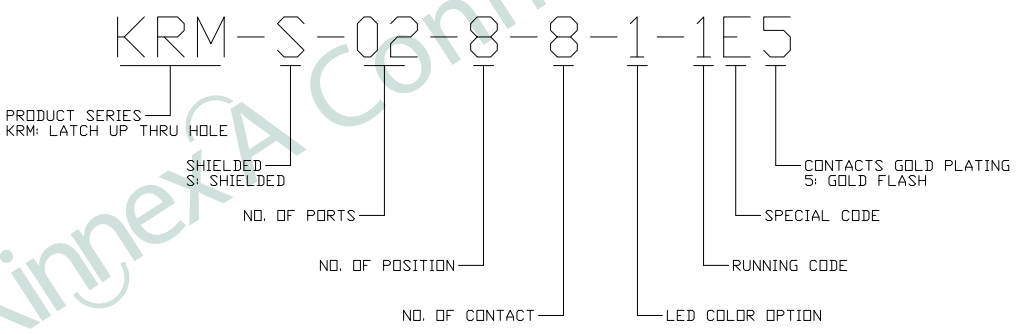


DETAIL A

SUGGESTED PCB LAYOUT
(TOP VIEW) SCALE 2:1
DIMENSIONAL TOLERANCE: .XX ±0.08[0.003]

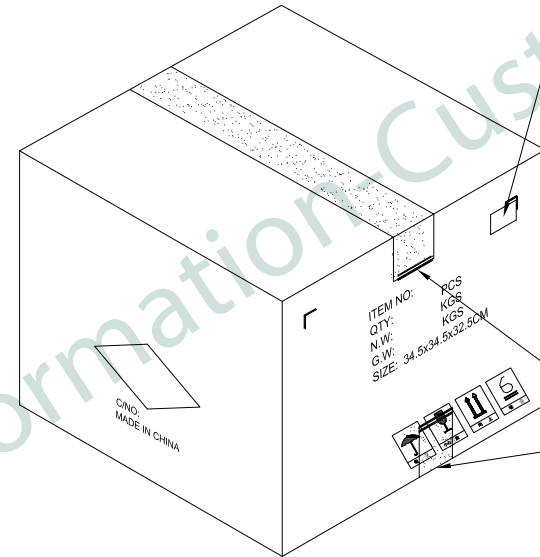
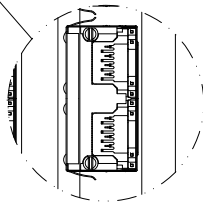
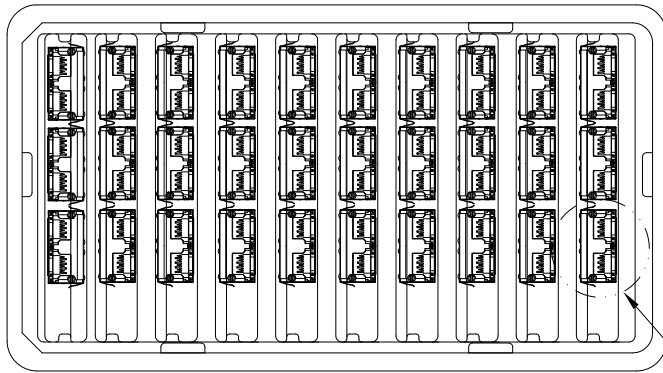


COLOR	VF(V) @20mA		IV(mcd) @20mA	IF(mA)	PEAK WAVE LENGTH λP(nm) @20mA
	TYP	MAX	TYP	TYP	TYP
YELLOW	2.2	2.6	15	20	588
GREEN	2.2	2.6	10	20	570



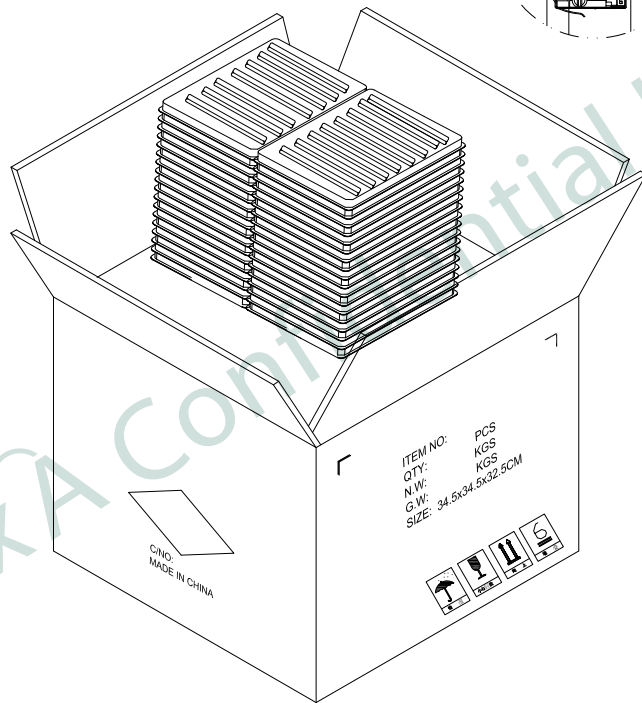
PART NO KRM-S-02-8-8-1-1E5				
TITLE	RJ45 1X2 8P8C, W/LED, SHIELDED			
REV : 01				
UNIT	DRAWN	CHKD	DATE	SHEET
mm[inch]	CINDY	DANIEL	Dec. 14, '17	2 of 4

3. PACKING SPECIFICATION:



PACKING LABEL

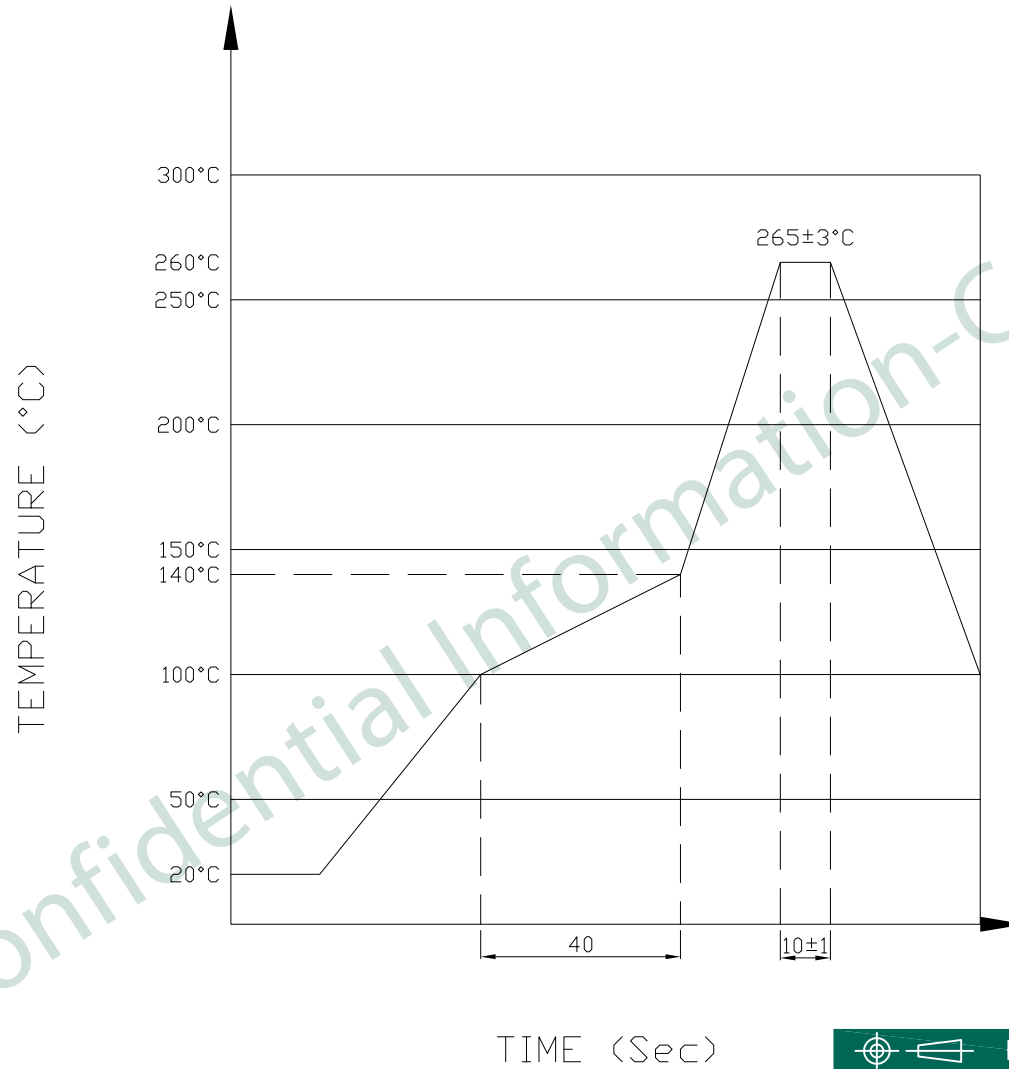
ADHESIVE TAPE




PCS / TRAY	TRAY / CARTON	CARTON / PCS
30 / 1	30 / 1	1 / 900

PART NO		KRM-S-02-8-8-1-1E5		
TITLE	RJ45 1X2 8P8C, W/LED, SHIELDED			
REV : 01				
UNIT	DRAWN	CHKD	DATE	SHEET
mm[inch]	CINDY	DANIEL	Dec. 14, '17	3 of 4

4. PROFILE OF WAVE SOLDER :



The measuring point for the specified temperature shall be on the soldered part of the lead

 PART NO		KRM-S-02-8-8-1-1E5		
TITLE		RJ45 1X2 8P8C, W/LED, SHIELDED		
REV : 01				
UNIT	DRAWN	CHKD	DATE	SHEET
mm[inch]	CINDY	DANIEL	Dec. 14, '17	4 of 4