

# PRODUCT DATASHEET

## Ronda series

last update 12/4/2017

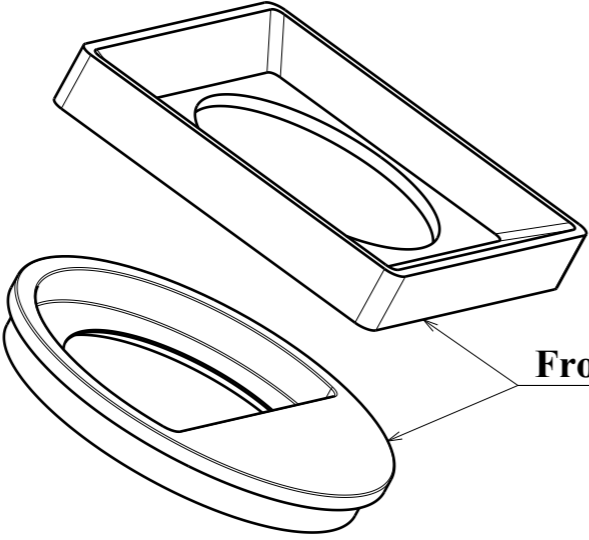
## DETAILS

|                 |                      |
|-----------------|----------------------|
| Product Number  | FN15733_RONDA-ZT45-B |
| Family          | Ronda                |
| Type            | Assembly             |
| Color           | white                |
| Diameter        | 69,9 mm              |
| Height          | 15,4 mm              |
| Style           | round                |
| Optic Material  | PMMA                 |
| Holder Material |                      |
| Fastening       |                      |
| Status          | sample approved      |
| ROHS Compliant  | Yes                  |
| Date Updated    | 12/04/2017           |

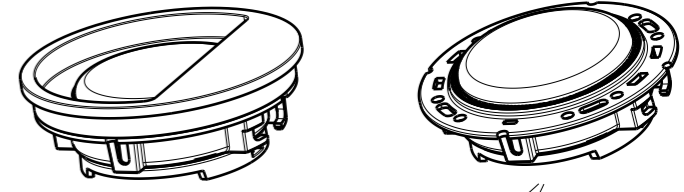
## OPTICAL PROPERTIES

| LED                                | Viewing Angle   | Light Beam | Efficiency | cd/lm      | Connector        |
|------------------------------------|-----------------|------------|------------|------------|------------------|
| V13 Gen7                           | Asymmetric deg  | Asymmetric | 89 %       | 0.390      | BJB: 47.319.2021 |
| H12                                | sim: Asymmetric | Asymmetric | sim: 83 %  | -          | BJB: 47.319.2131 |
| V10 Gen7                           | sim: Asymmetric | Asymmetric | sim: 83 %  | sim: 0.490 | IDEAL: 50-2002CT |
| CLL02x/CLU02x (LES10)              | sim: Asymmetric | Asymmetric | sim: 87 %  | -          | IDEAL: 50-2002CT |
| CXA/B 1816 & CXA/B 1820 & CXA 1850 | sim: Asymmetric | Asymmetric | sim: 87 %  | -          | IDEAL: 50-3001CR |
| CXA/B 1816 & CXA/B 1820 & CXA 1850 | sim: Asymmetric | Asymmetric | sim: 87 %  | -          | BJB: 47.319.2131 |
| CXA/B 15xx                         | sim: Asymmetric | Asymmetric | sim: 87 %  | -          | IDEAL: 50-2001CR |
| Mini Zenigata (GW6BM)              | sim: Asymmetric | Asymmetric | sim: 86 %  | -          | IDEAL: 50-2000P  |
| SLE G6 LES15 H D50                 | sim: asym       | Asymmetric | sim: 88 %  | sim: 0.399 | -                |

H G F E D C B A

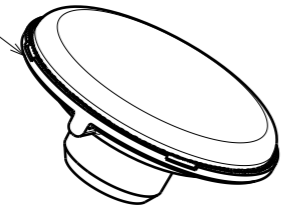


Front plate examples

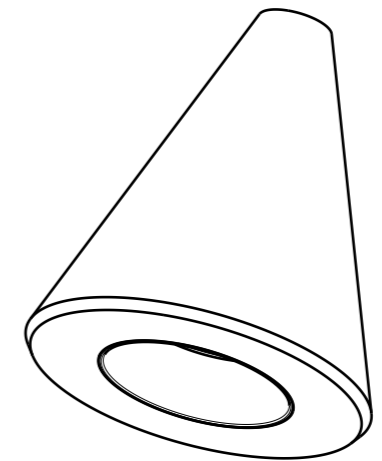


Examples

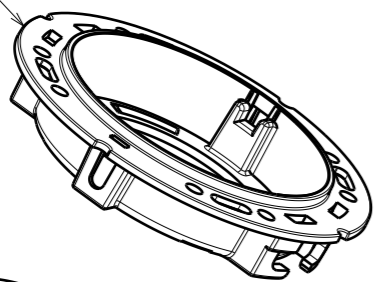
D=49.9



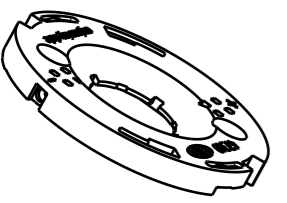
Optic



D=69.9mm

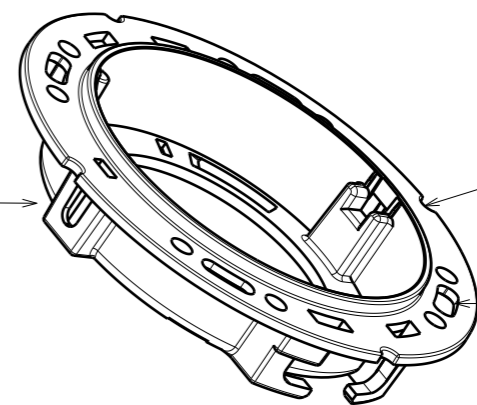


- Holder A**
- Bender-wirth model 4xx Typ L1
  - TE 22xxxxx-2 + 2213194-1
  - Ledil-clamp
  - Other twist and lock



- Holder B**
- BJB 47.319.2xxx 50mm
  - A.A.G. Stucchi 8xxx/G2 50mm
  - Ideal chip lok jr 50-20 & 50-30

Horizontal fix: M3 Nut + bolt



Rotation fix

Vertical fix: M3 Screw /  
Twist and lock / Snap



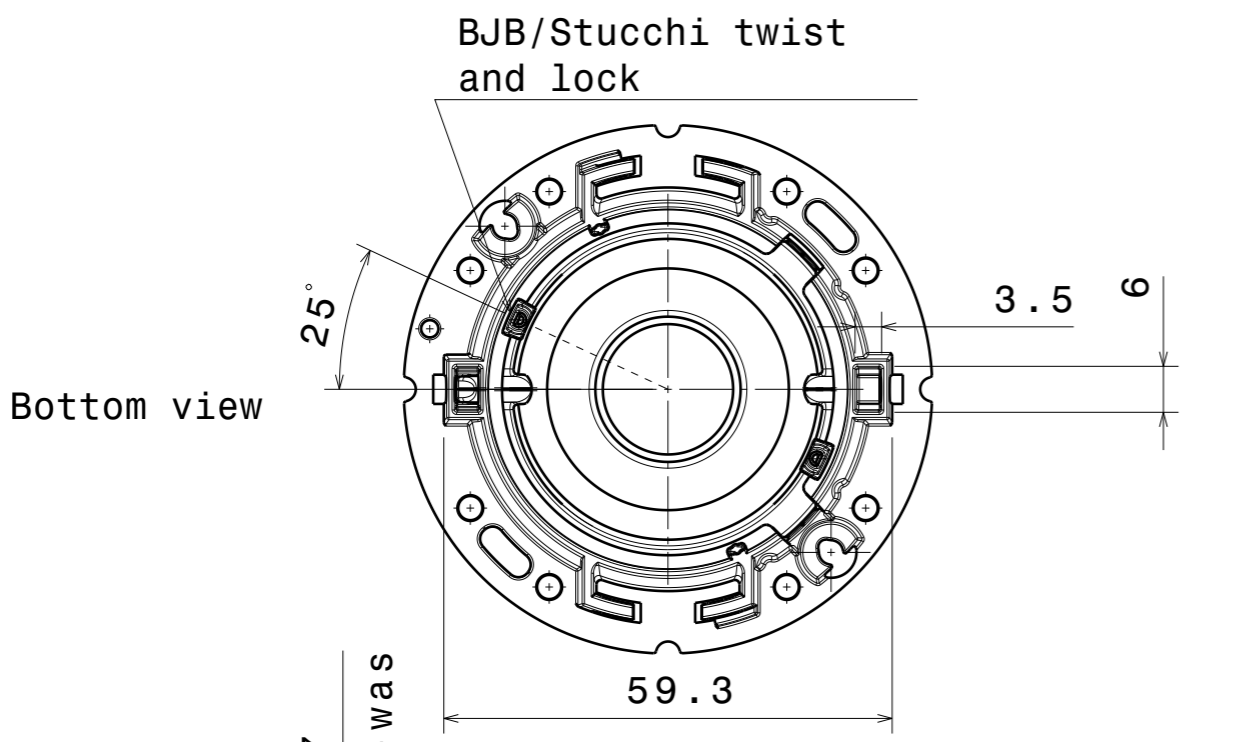
LES size up to ~14mm, see  
compatibility [www.ledil.com](http://www.ledil.com)

See more details on page 2 and 3

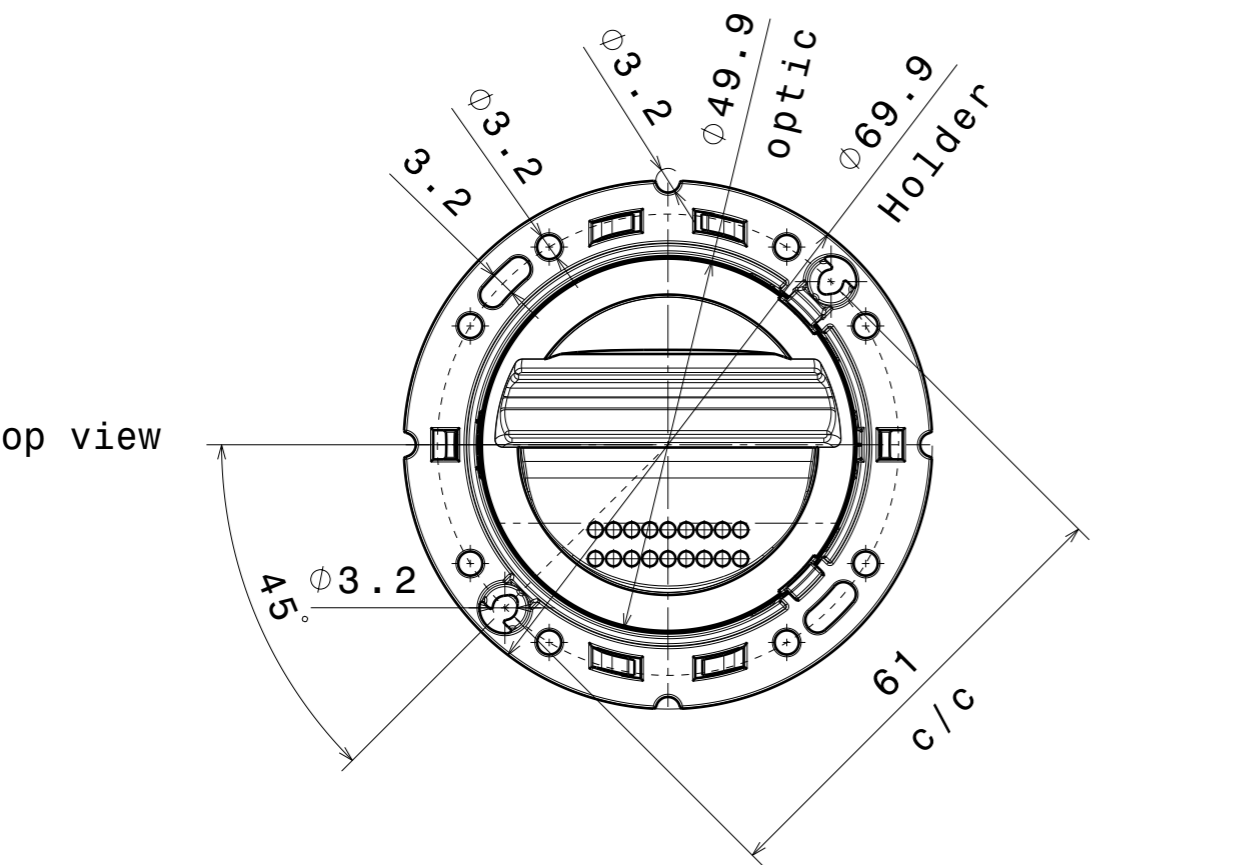
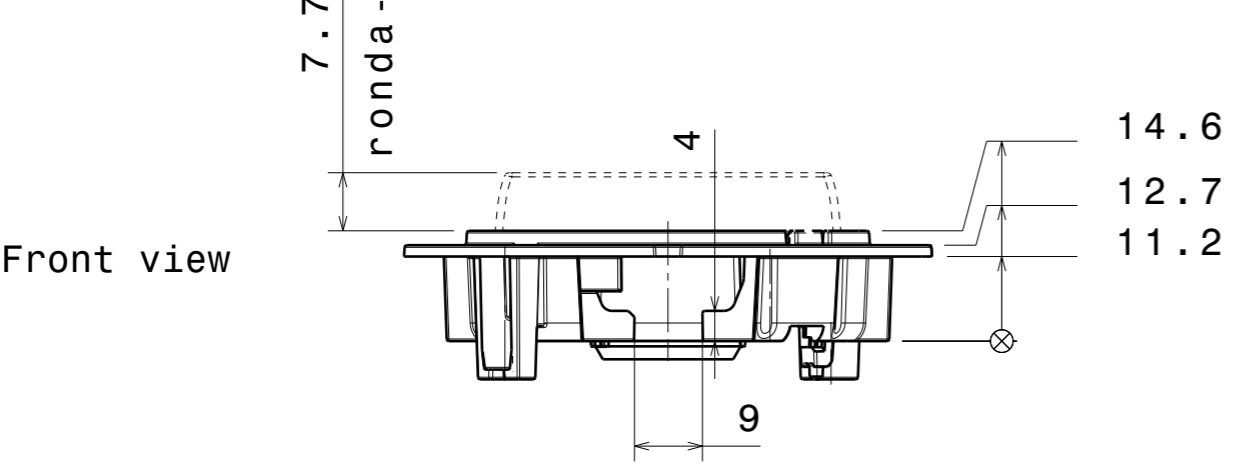
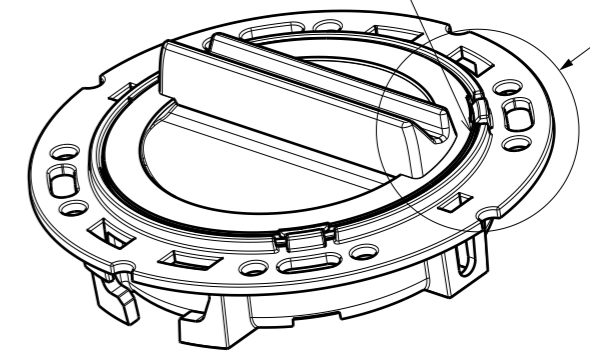
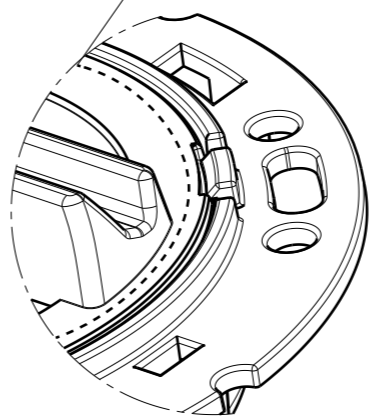
|  |  |  |                  |
|--|--|--|------------------|
| Tolerances if not otherwise shown<br>According to DIN ISO 2768-1<br>Linear measures:<br>up to 30mm class M, otherwise class C<br>According to DIN ISO 2768-2<br>Form and position: class L |  | <b>LEDiL</b> Ledil Oy<br>Salorankatu 10<br>FIN 24240 SALO<br>Finland |                  |
| THIRD ANGLE PROJECTION:  |  | DRAWING TITLE<br><b>RONDA-B family</b>                               |                  |
| This drawing is the property<br>of LEDiL Oy. It may not be<br>reproduced, copied or<br>communicated without a written<br>agreement with LEDiL Oy.  |  | SIZE<br><b>A3</b>  | PART NUMBER<br>- |
|  |  | SCALE<br>1:1   | WEIGHT<br>-      |
|  |  | SHEET<br>1/3   |                  |

H G B A

H G F E D C B A



Front panel location suggestion when seamless look needed



Tolerances if not otherwise shown  
 According to DIN ISO 2768-1  
 Linear measures:  
 up to 30mm class M, otherwise class C  
 According to DIN ISO 2768-2  
 Form and position: class L

**LEDiL** LediL Oy  
 Salorankatu 10  
 FIN 24240 SALO  
 Finland

THIRD ANGLE PROJECTION:

DRAWING TITLE  
**RONDA-B family**

This drawing is the property of LEDiL Oy. It may not be reproduced, copied or communicated without a written agreement with LEDiL Oy.

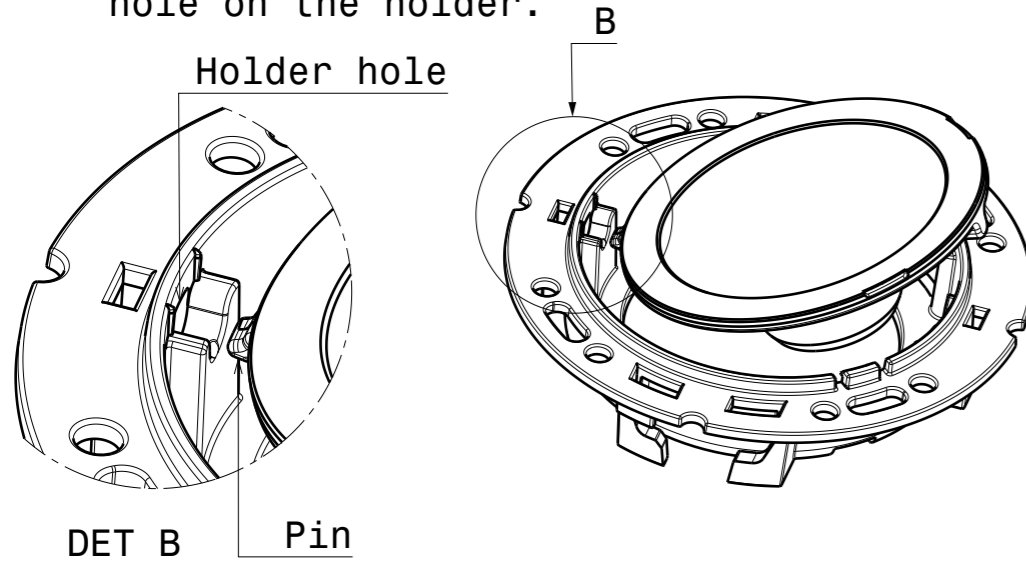
|      |             |  |  |
|------|-------------|--|--|
| SIZE | PART NUMBER |  |  |
| A3   | -           |  |  |

|       |     |        |   |       |     |
|-------|-----|--------|---|-------|-----|
| SCALE | 1:1 | WEIGHT | - | SHEET | 2/3 |
|-------|-----|--------|---|-------|-----|

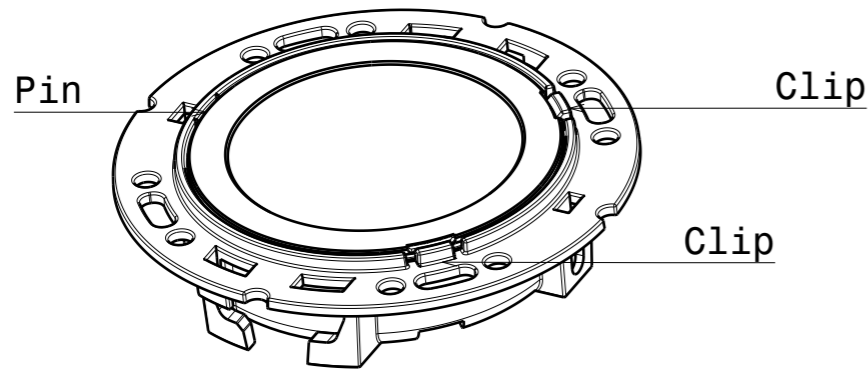
H G F E D C B A

**OPTIC/HOLDER ASSEMBLY**

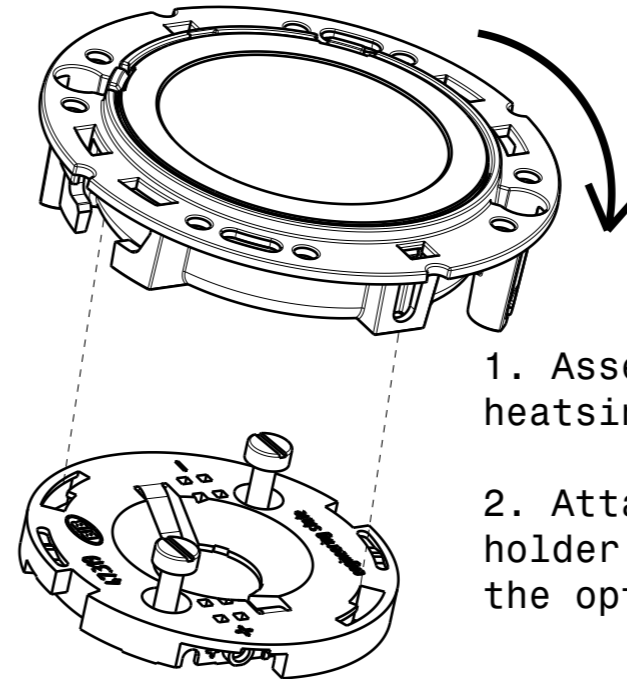
1. Place pin on the side of the lens into relative hole on the holder.



2. Press the lens under clips on the holder, ensuring both clips are fixed.



**TYPICAL CONNECTOR ASSEMBLY (including solderless BJB 47.319.2xxx 50mm as example)**



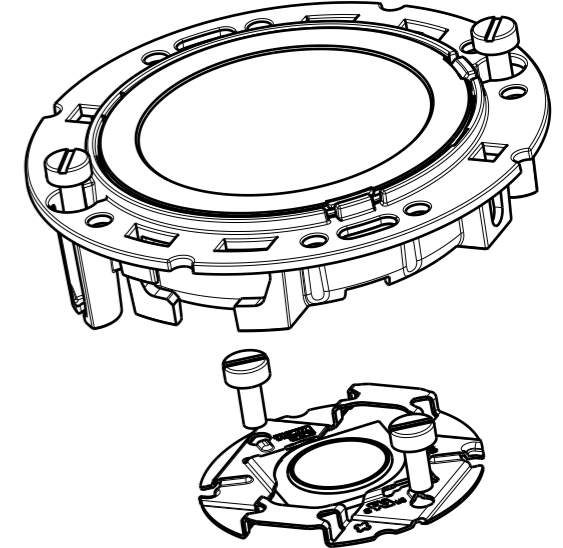
1. Assemble LED and BJB connector on heatsink with M3 screw.

2. Attach optic by aligning hooks in the holder with connector holes and turning the optic holder clockwise until it locks.

**TYPICAL CONNECTOR ASSEMBLY (including solderless IDEAL chip lok jr 50-20 as example)**

1. Assemble LED and IDEAL connector on heatsink with M3 screw.

2. Attach optic by aligning the screw towers in the holder with relative holes in heatsink. Optionally use 2 position pins in the holder bottom as focus element.



Tolerances if not otherwise shown  
According to DIN ISO 2768-1  
Linear measures:  
up to 30mm class M, otherwise class C  
According to DIN ISO 2768-2  
Form and position: class L



Ledil Oy  
Salorankatu 10  
FIN 24240 SALO  
Finland

THIRD ANGLE PROJECTION:

DRAWING TITLE

RONDA-B family

This drawing is the property of LEDiL Oy. It may not be reproduced, copied or communicated without a written agreement with LEDiL Oy.

SIZE PART NUMBER

A3

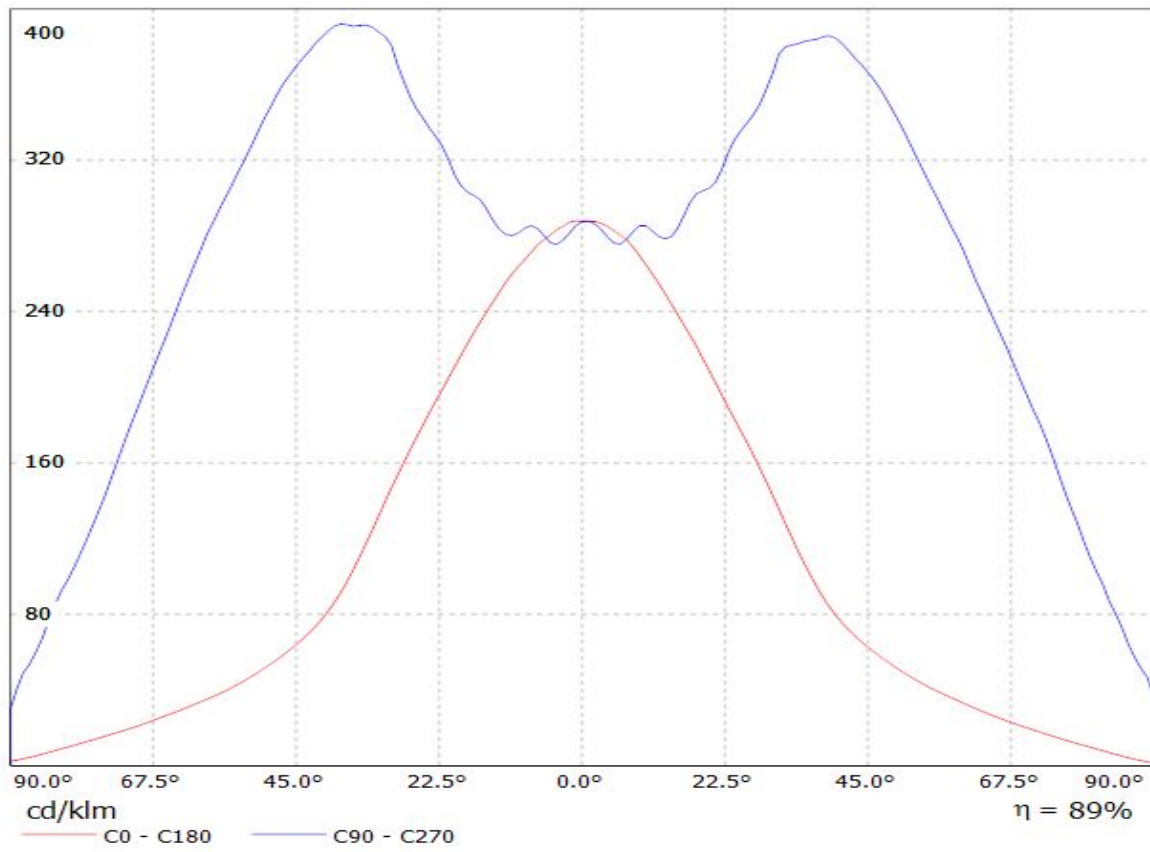
SCALE 1:1 WEIGHT

-

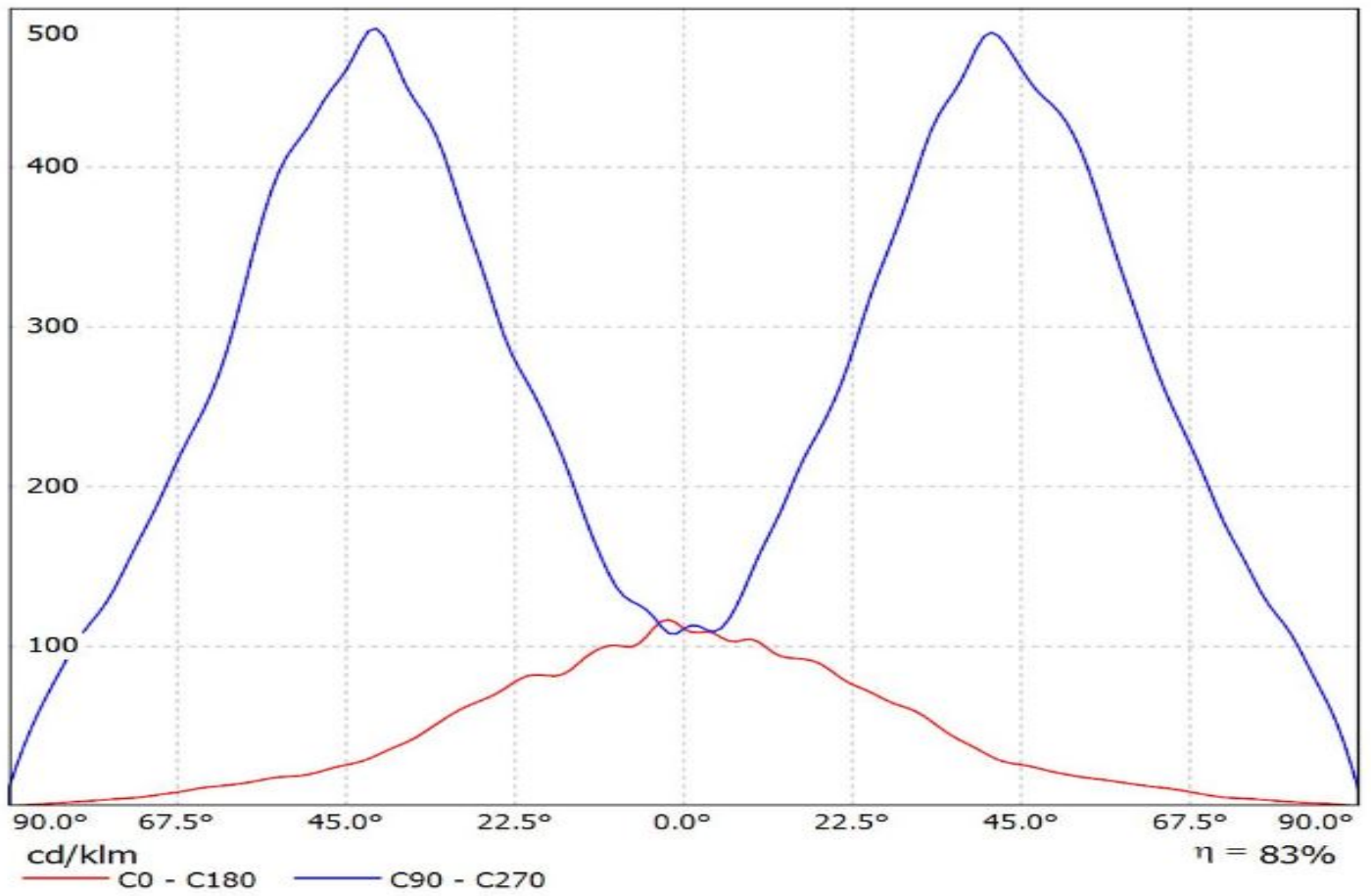
SHEET 3/3

Luminaire: LEDiL Oy FN15733\_RONDA-ZT45-B\_(V13\_Gen7)+BJB

Lamps: 1 x Bridgelux\_V13\_Gen7\_(BXRE-30E2000-B\_+BJB\_47.319.2026.50)\_1332.62lm@250mA\_P=8.32009W\_I=0.25A

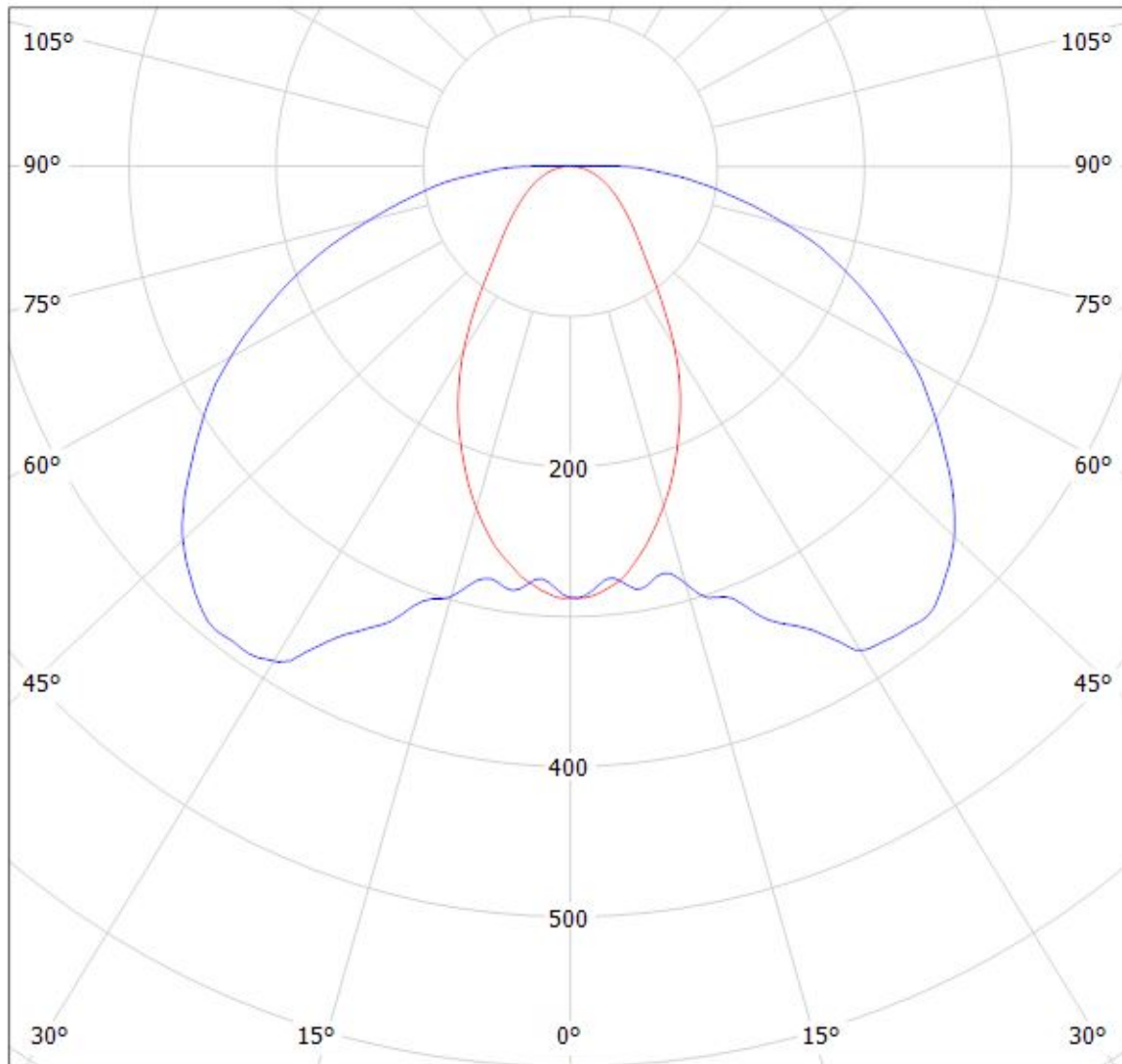


Luminaire: Ledil Oy FN15733\_RONDA-ZT45-B\_BRIDGELUX\_V10\_Gen7\_SIMULATED  
Lamps: 1 x BRIDGELUX V10 Gen7



Luminaire: LEDiL Oy FN15733\_RONDA-ZT45-B\_(V13\_Gen7)+BJB

Lamps: 1 x Bridgelux\_V13\_Gen7\_(BXRE-30E2000-B\_+BJB\_47.319.2026.50)\_1332.62lm@250mA\_P=8.32009W\_I=0.25A

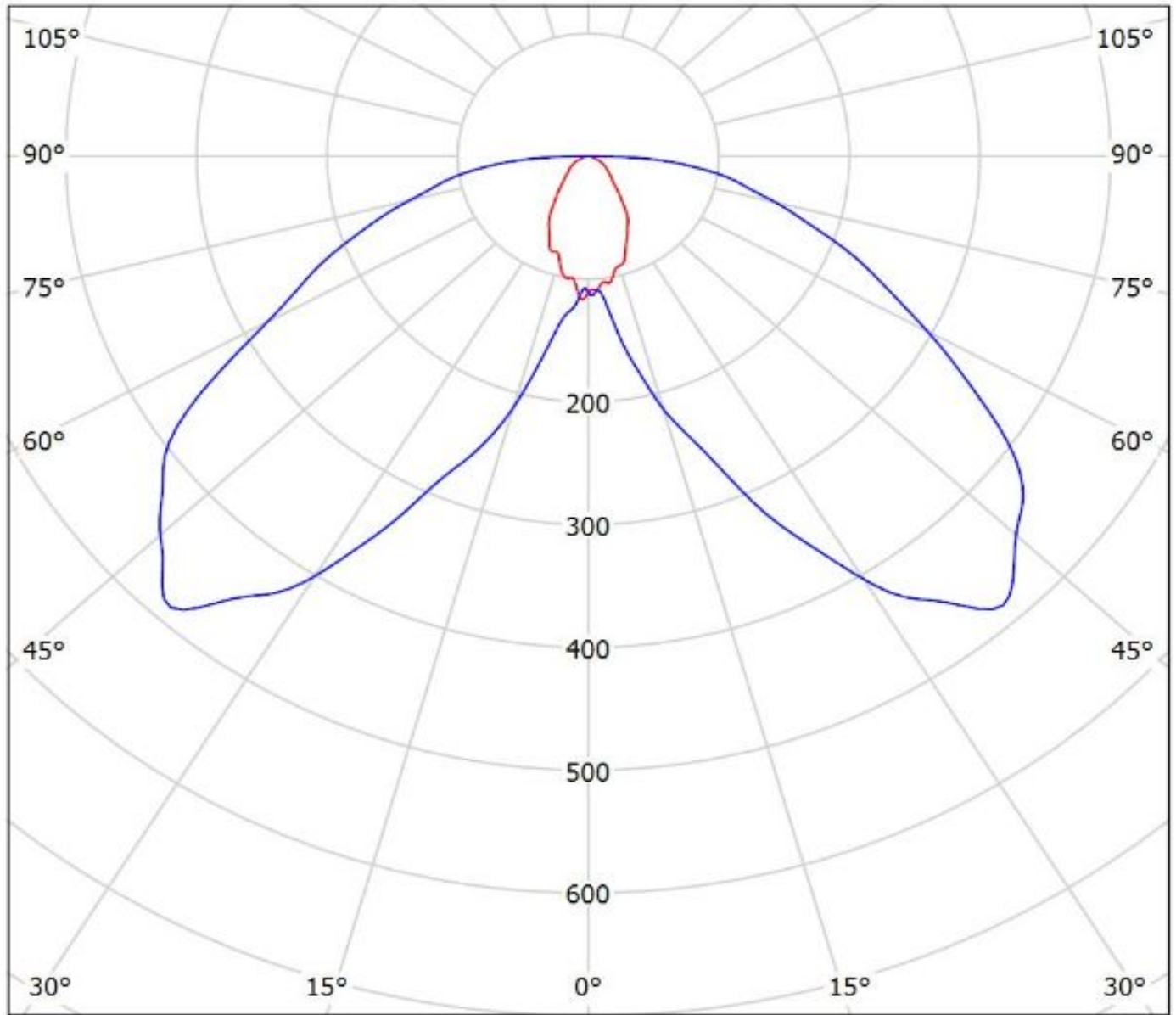


cd/klm

η = 89%

— C0 - C180 — C90 - C270

Luminaire: Ledil Oy FN15733\_RONDA-ZT45-B\_BRIDGELUX\_V10\_Gen7\_SIMULATED  
Lamps: 1 x BRIDGELUX V10 Gen7



cd/klm  
— C0 - C180 — C90 - C270

$\eta = 83\%$



**NOTE: The typical divergence will be changed by different color, chip size and chip position tolerance. The typical total divergence is the full angle measured where the luminous intensity is half of the peak value.**

### **GENERAL INFORMATION**

- Product series especially designed & optimized for series of LEDs.
- Special care taken to make light distribution as uniform as possible.

Note! Due to use of high power COB's with this product, special attention to proper thermal design is highly recommended. LEDiL has no liability for direct, indirect or consecutive damages arising from the LEDiL products being used outside of the recommended temperature range.