

- Excellent return loss and balance
- Surface mount or through hole package
- Supplementary Insulation

Electrical Specifications @ 25°C - Operating Temperature -40°C to +85°C

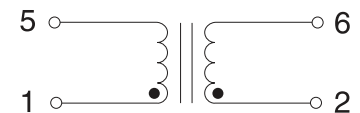
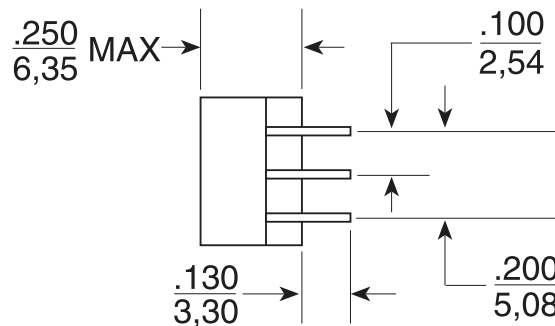
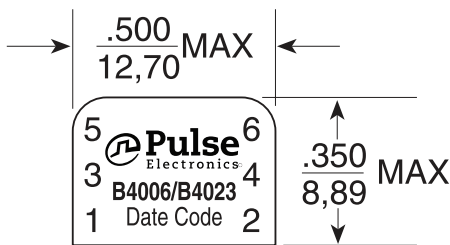
Part Number	Turns Ratio	Insertion Loss (dB MAX)	Return Loss (dB MIN)	Longitudinal Balance (dB TYP)	Isolation Voltage (Vrms)
B4006 (THT)	1:1	200 kHz to 400 MHz: 0.75	200 kHz to 18 MHz: 20	200 kHz: 60	3000
		400 kHz to 30 MHz: 0.50	18 kHz to 30 MHz: 14	11 MHz: 50	
				100 MHz: 40	
B4023 (THT)	1:1CT	200 kHz to 20 MHz: 0.50	200 kHz to 18 MHz: 20	200 kHz: 60	3000
		20 kHz to 30 MHz: 0.75	18 kHz to 30 MHz: 14	11 MHz: 50	
				100 MHz: 40	
B4004 (SHT)	1CS:1CS	20 kHz to 11 MHz: 1.00	200 kHz: 10	200 kHz: 50	1500
			400 kHz: 16	2 MHz: 40	
			4 MHz: 16	11 MHz: 40	
			11 MHz: 10		

Notes: Temperature range: -40°C to +80°C. Insertion loss increases by up to 1 dB at the extreme temperatures. Impedance for test: 100 Ω or 135 Ω. Small difference in return loss will occur. **Surge Voltage Capability:** Metallic 800 Vpeak 10/560 μsec. Longitudinal: 2400 Vpeak 10/700 sec. Products are designed to meet the requirements for supplementary isolation according to IEC950. Common Mode Chokes to reduce common mode ingress from AM Broadcast or HAM Radios are available. See data sheet B912 for parts B4001 and B4003.

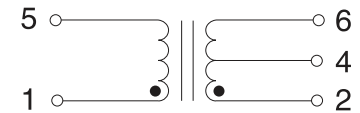
Mechanical

Schematics

B4006 / B4023



B4006



B4023

Weight1.2 grams

Tube60/tube

Dimensions: $\frac{\text{Inches}}{\text{mm}}$

Unless otherwise specified, all tolerances are $\pm \frac{.010}{0,25}$

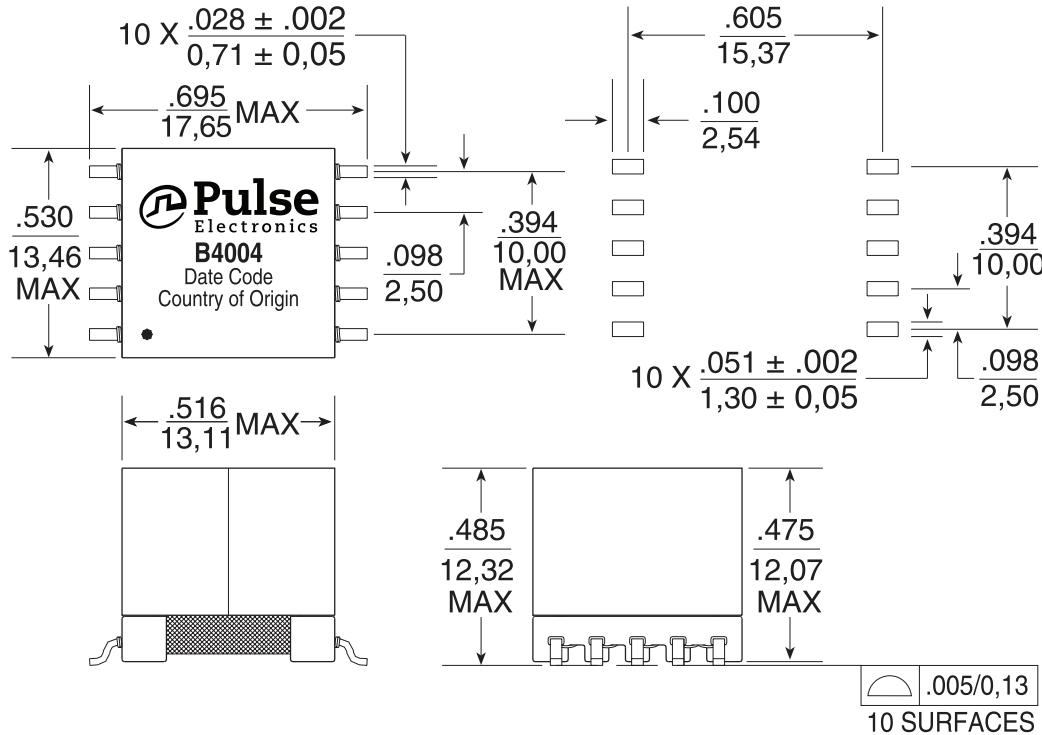
Notes: Leads are 24 AWG solderable. Unused pins not provided.

VDSL Transformers

Mechanical (continued)

Schematic

B4004



Weight6.2 grams

Tray60/tray

Dimensions: Inches
mm

Unless otherwise specified,
all tolerances are ± $\frac{.010}{0,25}$

For More Information

Pulse Worldwide Headquarters
12220 World Trade Drive
San Diego, CA
92128
U.S.A.

Tel: 858 674 8100
Fax: 858 674 8262

Pulse Europe
Einsteinstrasse 1
D-71083 Herrenberg
Germany

Tel: 49 7032 78060
Fax: 49 7032 7806 135

Pulse China Headquarters
B402, Shenzhen Academy of
Aerospace Technol-
ogy Bldg.
10th Kejinan Road
High-Tech Zone
Nanshan District
Shenzhen, PR China
518057
Tel: 86 755 33966678
Fax: 86 755 33966700

Pulse North China
Room 2704/2705
Super Ocean Finance
Ctr.
2067 Yan An Road
West
Shanghai 200336
China
Tel: 86 21 62787060
Fax: 86 2162786973

Pulse South Asia
135 Joo Seng Road
#03-02
PM Industrial Bldg.
Singapore 368363
Tel: 65 6287 8998
Fax: 65 6287 8998

Pulse North Asia
3F, No. 198
Zhongyuan Road
Zhongli City
Taoyuan County 320
Taiwan R. O. C.
Tel: 886 3 4356768
Fax: 886 3 4356823 (Pulse)
Fax: 886 3 4356820 (FRE)

Performance warranty of products offered on this data sheet is limited to the parameters specified. Data is subject to change without notice. Other brand and product names mentioned herein may be trademarks or registered trademarks of their respective owners. © Copyright, 2012. Pulse Electronics, Inc. All rights reserved.