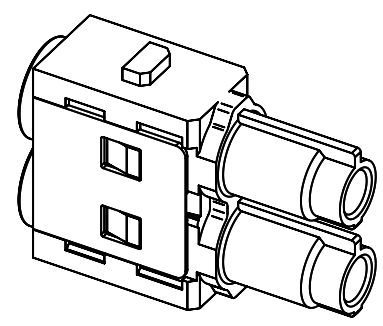
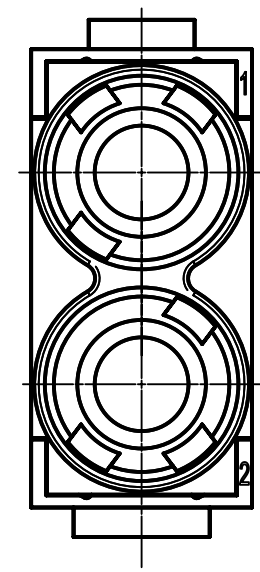
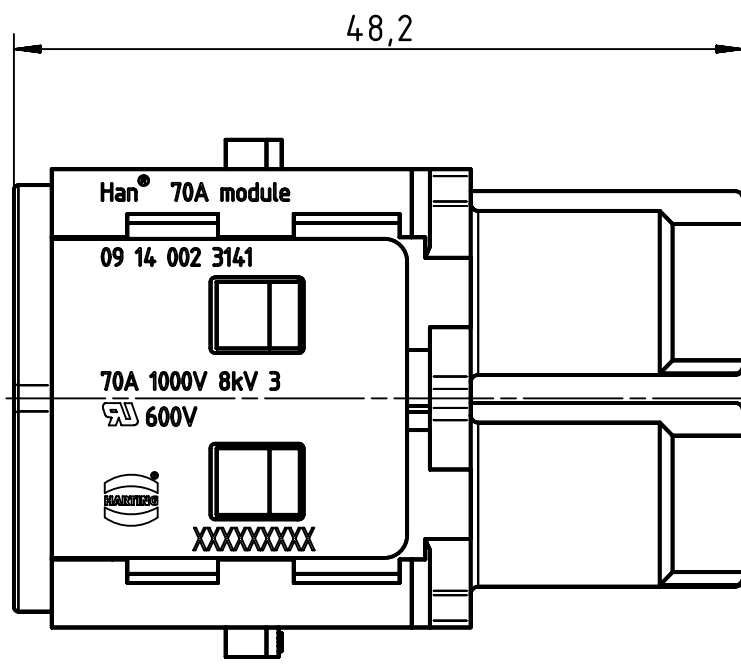
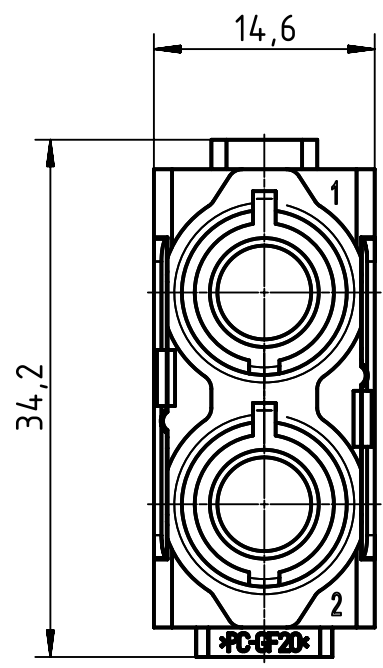


1 2 3 4 5 6

A
B
C
D



	All Dimensions in mm Original Size DIN A4		Scale 2:1	Free size tol.		Ref.	
						Sub.	
	All rights reserved Department EL PD - DE		Created by SCHULZI	Inspected by BERGHORN	Standardisation TIEMANNA	Date 2014-03-18	State Final Release
	HARTING Electric GmbH & Co. KG D-32339 Espelkamp		Title Han 70A crimp module, female			Doc-Key / ECM-Nr. 100196395/UGD/004/B 500000072940	
			Type TB	Number 09 14 002 3141		Rev. B	Page 1/1