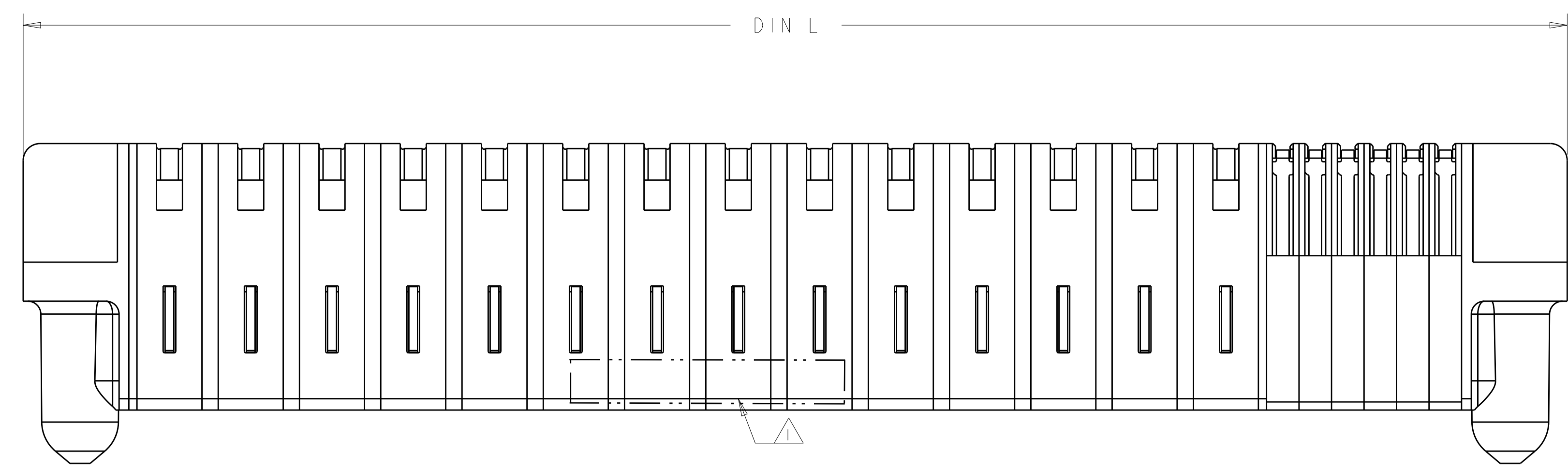
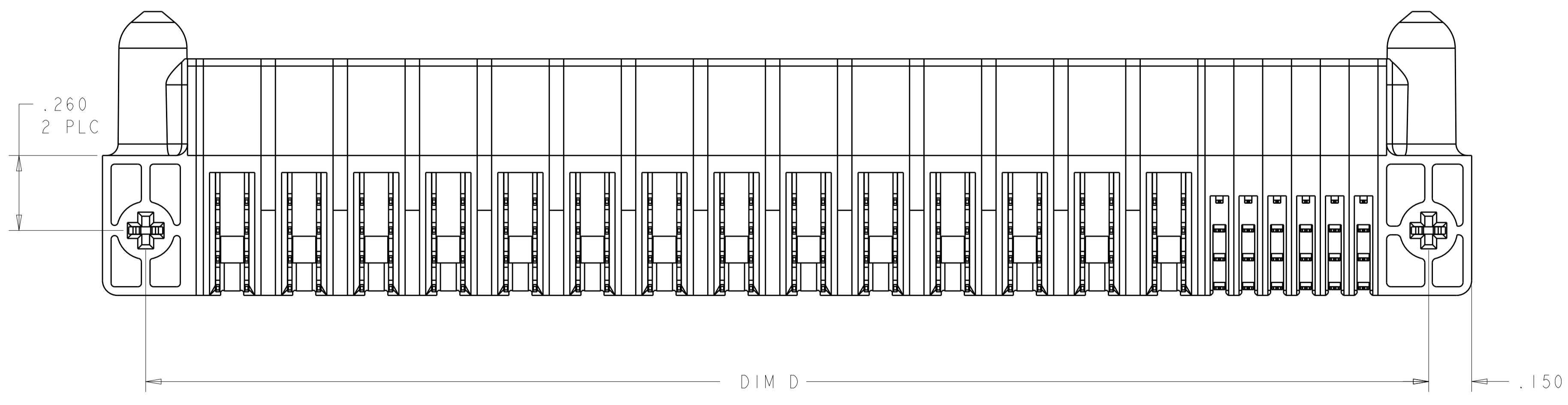
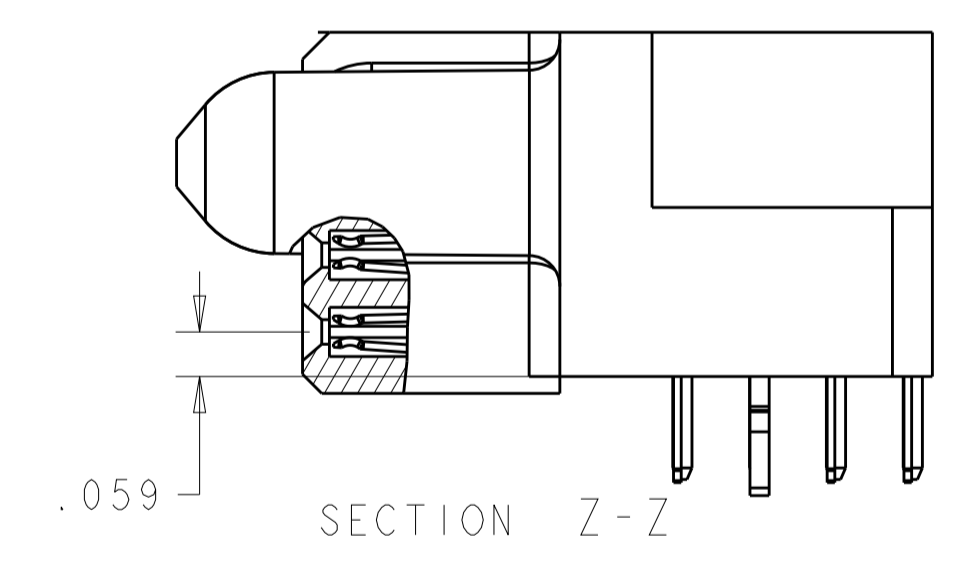
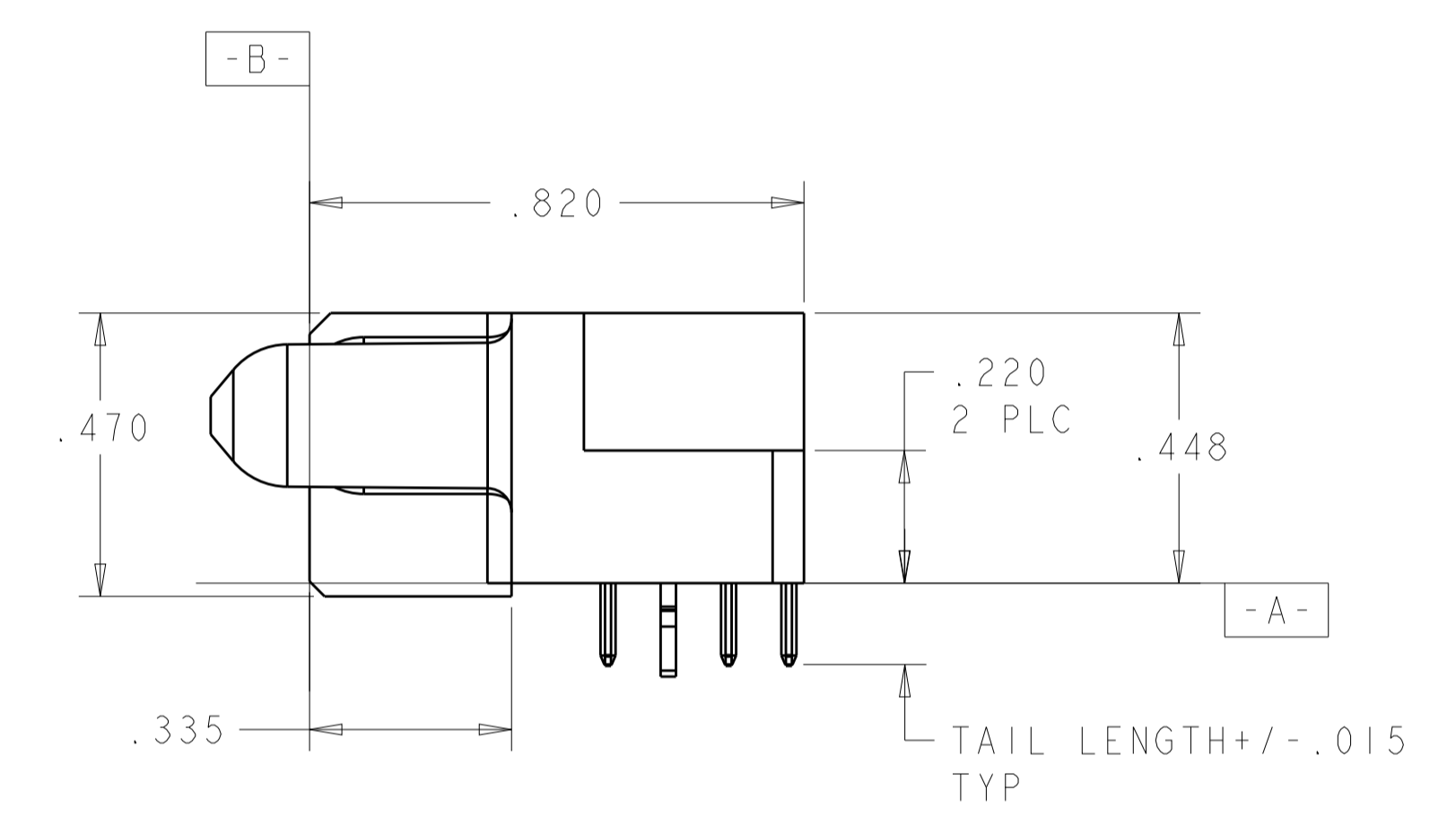
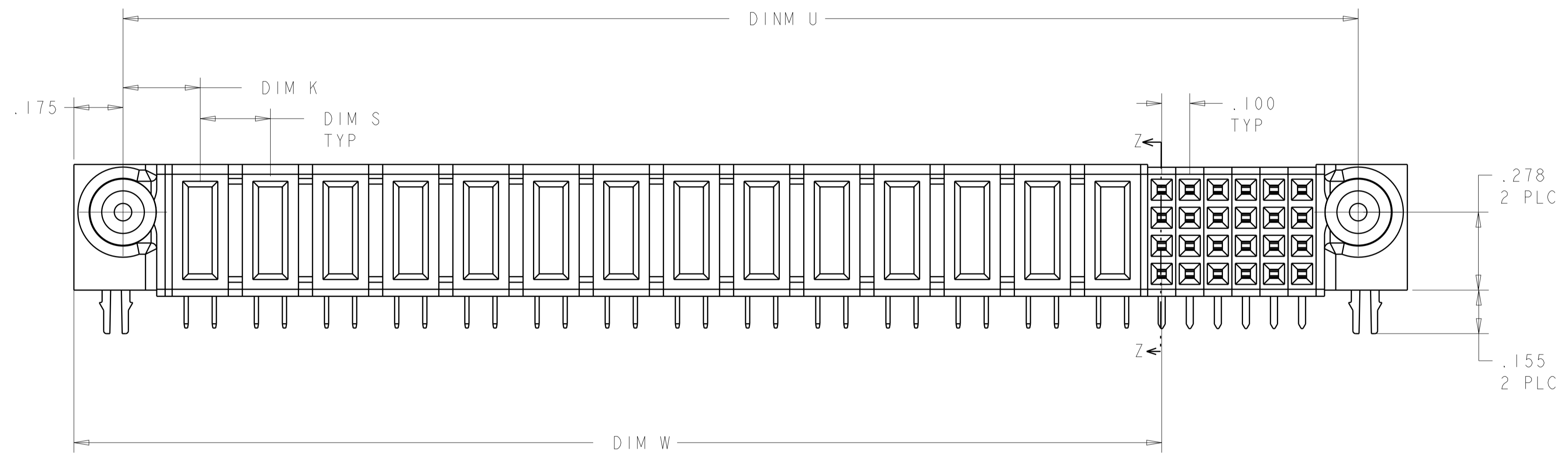


LOC		DIST		REVISONS			
GP	00	P	LTN	DESCRIPTION	DATE	DWN	APVD
		A1		REV PER ECR-13-004638	20MAR2013	ML	SZ



- 1 "AMP", PART NUMBER, AND DATE CODE TO BE MARKED IN AREA SHOWN.
- 2 MATERIAL: HOUSING - GLASS FILLED HIGH TEMP THERMO PLASTIC, UL94 V-0
 SIGNAL CONTACT - HIGH CONDUCTIVITY COPPER ALLOY
 POWER CONTACT - HIGH CONDUCTIVITY COPPER ALLOY
- 3 CONTACT PLATING: NOBLE METAL PLATING ON CONTACT FUNCTIONAL AREA OF POWER AND SIGNAL CONTACTS
- 4 MECHANICAL CONNECTOR KEEP OUT ZONE.
- 5 DATUM AND BASIC DIMENSIONS ESTABLISHED BY CUSTOMER.
- 6 PCB - ALL HOLE DIAMETERS ARE FINISHED HOLE SIZES.
- 7 PCB - .0453 +/- .0010 DRILLED HOLES PLATES WITH .0003 MIN Sn OVER .001 TO .003 PLATING TO ACHIEVE A .040 DIA. HOLE.
- 8 POWER CONTACT AREA LUBRICATED WITH LUBRICANT.



4.400	.250	3.875	4.450	4.750	.275	24S+14P	1892501-1
DIM U	DIM S	DIM W	DIM D	DIM L	DIM K	DESCRIPTION	PART NUMBER

THIS DRAWING IS A CONTROLLED DOCUMENT. DWG: RT_HE 10DEC2008
 CHK: S_ZHAO 10DEC2008
 APVD: S_YAO

DIMENSIONS: INCHES
 TOLERANCES UNLESS OTHERWISE SPECIFIED:
 0 PLC ±.
 1 PLC ±.01
 2 PLC ±.01
 3 PLC ±.005
 4 PLC ±.0020
 ANGLES ±.0020

MATERIAL: 2
 FINISH: 3

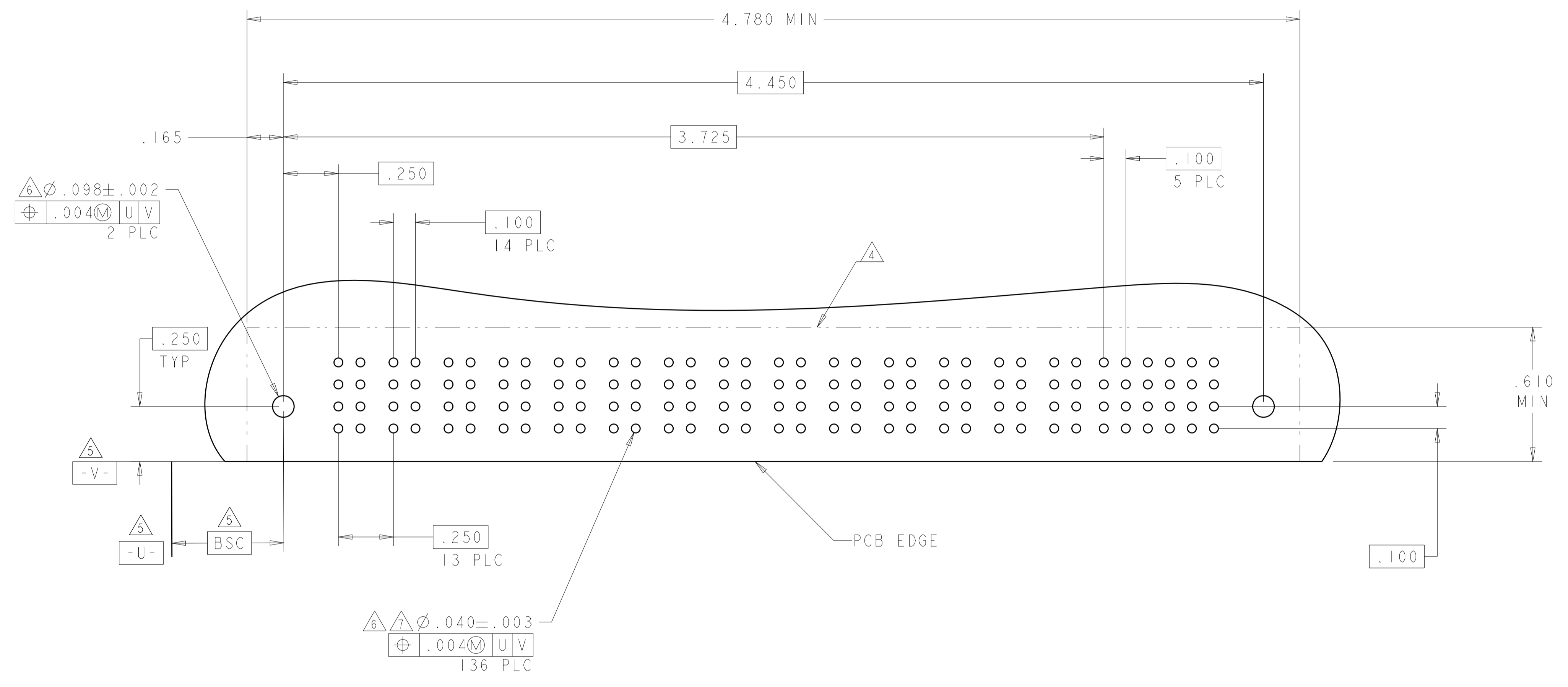
Customer Drawing

NAME: RIGHT ANGLE RECEPTACLE ASSEMBLY WITH GUIDES MULTI-BEAM XLE
 PRODUCT SPEC: 108-1973
 APPLICATION SPEC: 114-13038
 WEIGHT: -


SIZE: A1
 CAGE CODE: 1892501
 DRAWING NO: 100779
 SCALE: 4:1
 SHEET: 1 OF 2
 REV: A1

LOC	DIST	REVISIONS					
GP	00	P	LYR	DESCRIPTION	DATE	DWN	APVD
		-		SEE SHEET 1			

PART NUMBER	ROWS	POWER													SIGNAL						
		P14	P13	P12	P11	P10	P9	P8	P7	P6	P5	P4	P3	P2	P1	6	5	4	3	2	1
1892501-1	D C B A	RM	RM	RM	RM	RM	RM	RM	RM	RM	RM	RM	RM	RM	RM	H	H	H	H	H	H
																G	G	G	G	G	G
																F	F	F	F	F	F
																E	E	E	E	E	E
24S +14P																					



H	.135	D			
G	.135	C			
F	.135	B			
RM	.135	STD	E	.135	A
CODE	TAIL LENGTH	DESCRIPTION	CODE	TAIL LENGTH	ROW
POWER CONTACT			SIGNAL CONTACT		

THIS DRAWING IS A CONTROLLED DOCUMENT.		DWN RT, HE	10DEC2008	 TE Connectivity
DIMENSIONS: INCHES		CHK S. ZHAO	10DEC2008	
TOLERANCES UNLESS OTHERWISE SPECIFIED:		APVD S. YAO		NAME RIGHT ANGLE RECEPTACLE ASSEMBLY WITH GUIDES MULTI-BEAM XLE
0 PLC ±		PRODUCT SPEC		SIZE 114-13038
1 PLC ±.01		APPLICATION SPEC		RESTRICTED TO
2 PLC ±.02		WEIGHT		A100779C=1892501
3 PLC ±.005		Customer Drawing		SCALE 4:1 SHEET 2 OF 2 REV A1
4 PLC ±.0020				
ANGLES				
FINISH				